

Rockwood LV-IY Inverted Y Louver

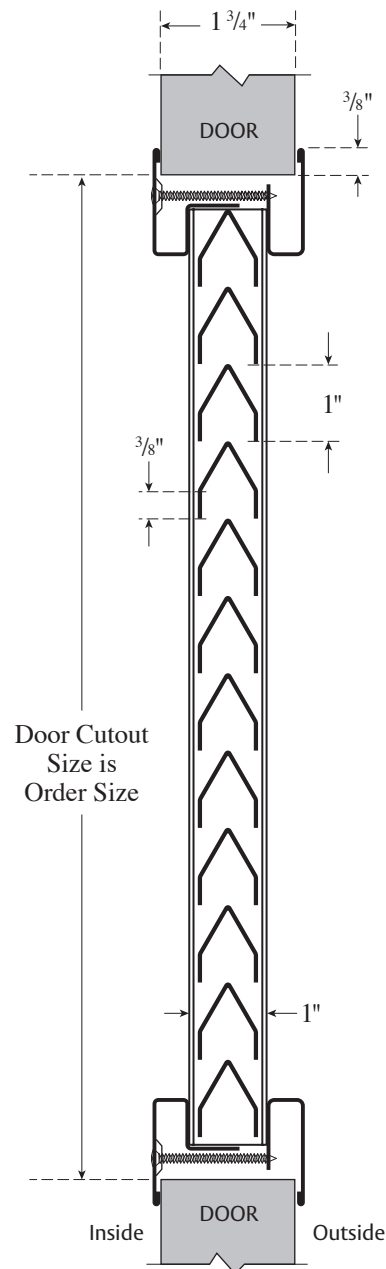
The global leader in
door opening solutions

For Installation Assistance, Call Rockwood Products at 800-458-2424 • www.assaabloydooraccessories.us

INSTALLATION INSTRUCTIONS

1. Door cutout size must be the same as order size of louver.
2. Hand tighten the provided fasteners (#8 x 1-3/4") through interior frame into screw holes located on exterior frame and core.

CAUTION. Fasteners should be tightened evenly all around, but not over tightened. It is recommended to tighten fasteners in alternating sequence to ensure balance.



NOT TO SCALE

300 Main Street
Rockwood, PA 15557
Phone: (800) 458-2424 • Fax: (800) 922-9212
www.assaabloydooraccessories.us

Copyright ©2018, ASSA ABLOY Accessories and Door Controls Group, Inc. All rights reserved. Reproduction in whole or in part without the express written permission of ASSA ABLOY Accessories and Door Controls Group, Inc. is prohibited.