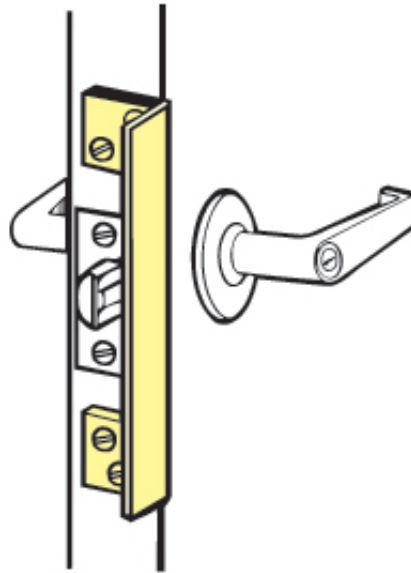




## Latch Protector ALP 206



### Product Specifications

Number	ALP 206
Dimensions	6"
Gauge	10 ga., .134
Material	Steel
Shelf pack	10
Features	1-1/2" sms for wood or metal
Finishes	BC, DU, SL

