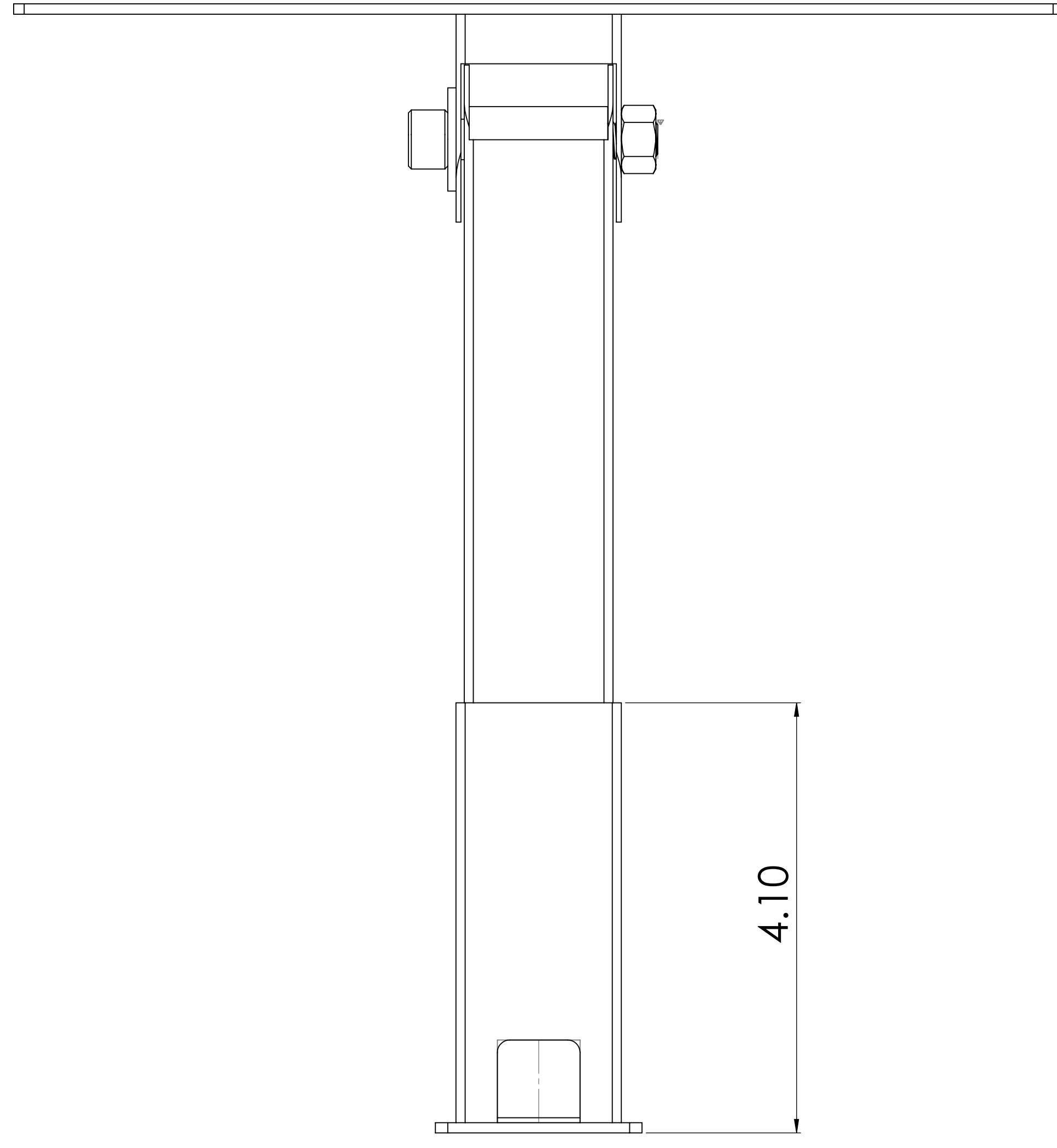
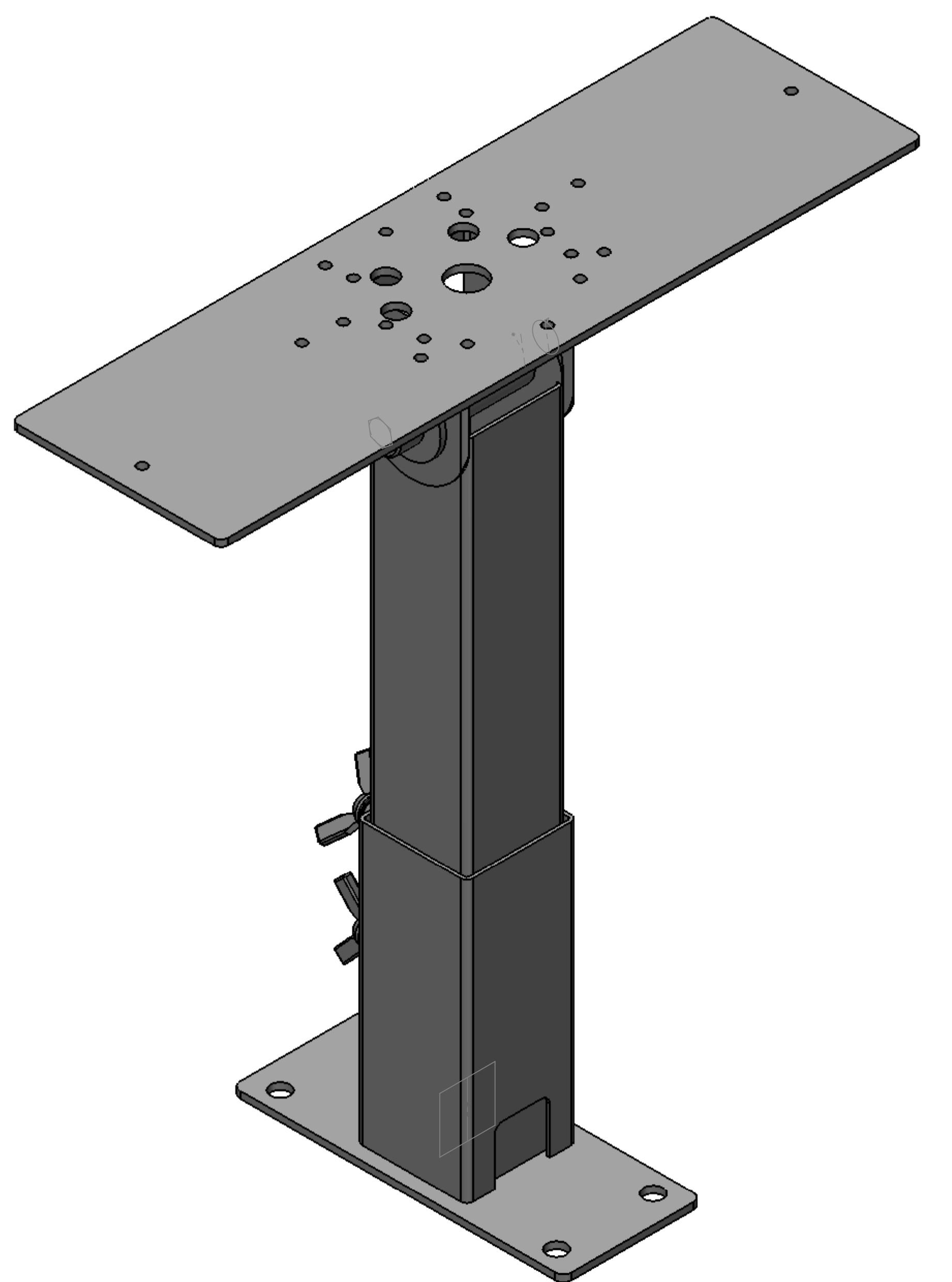
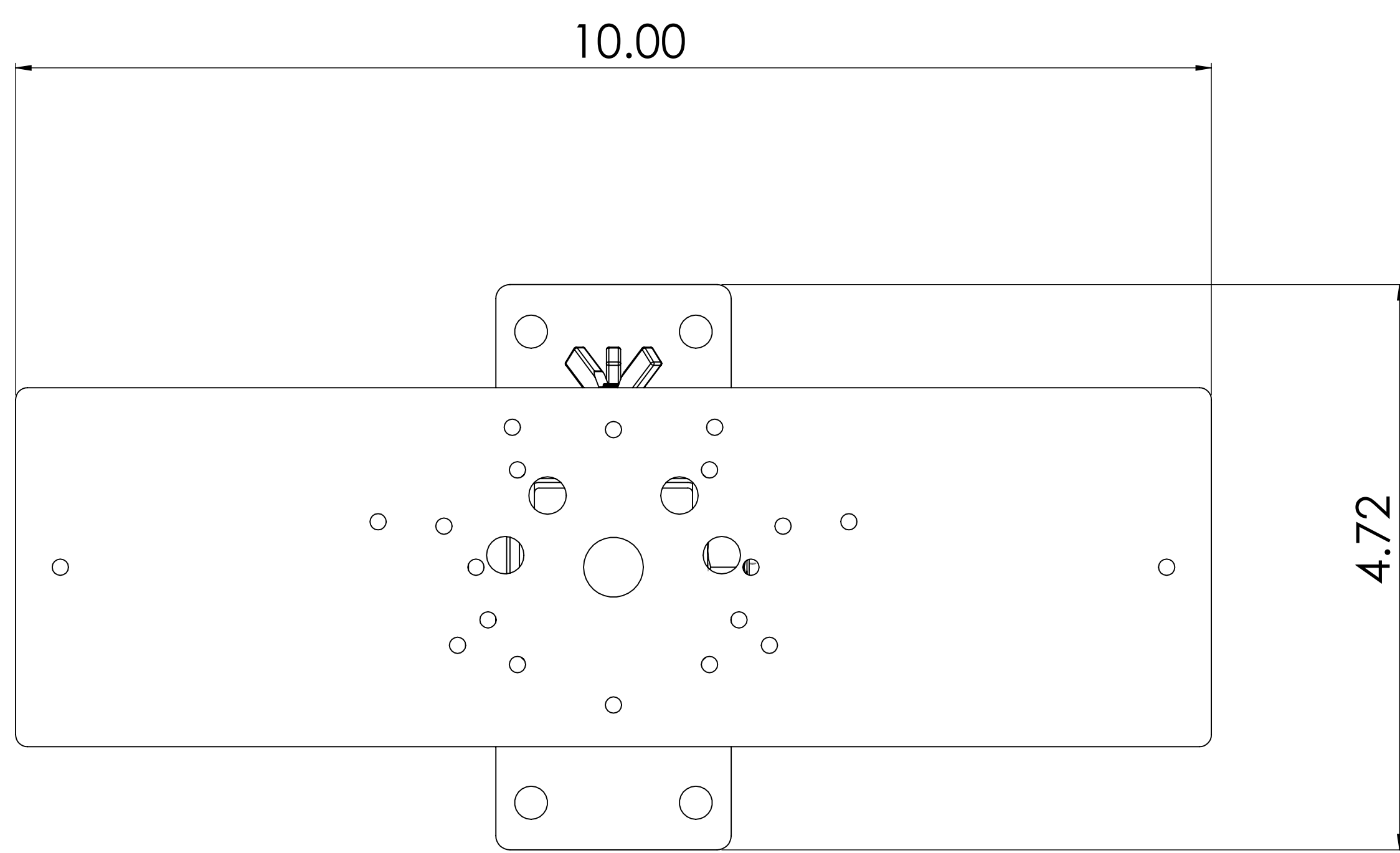
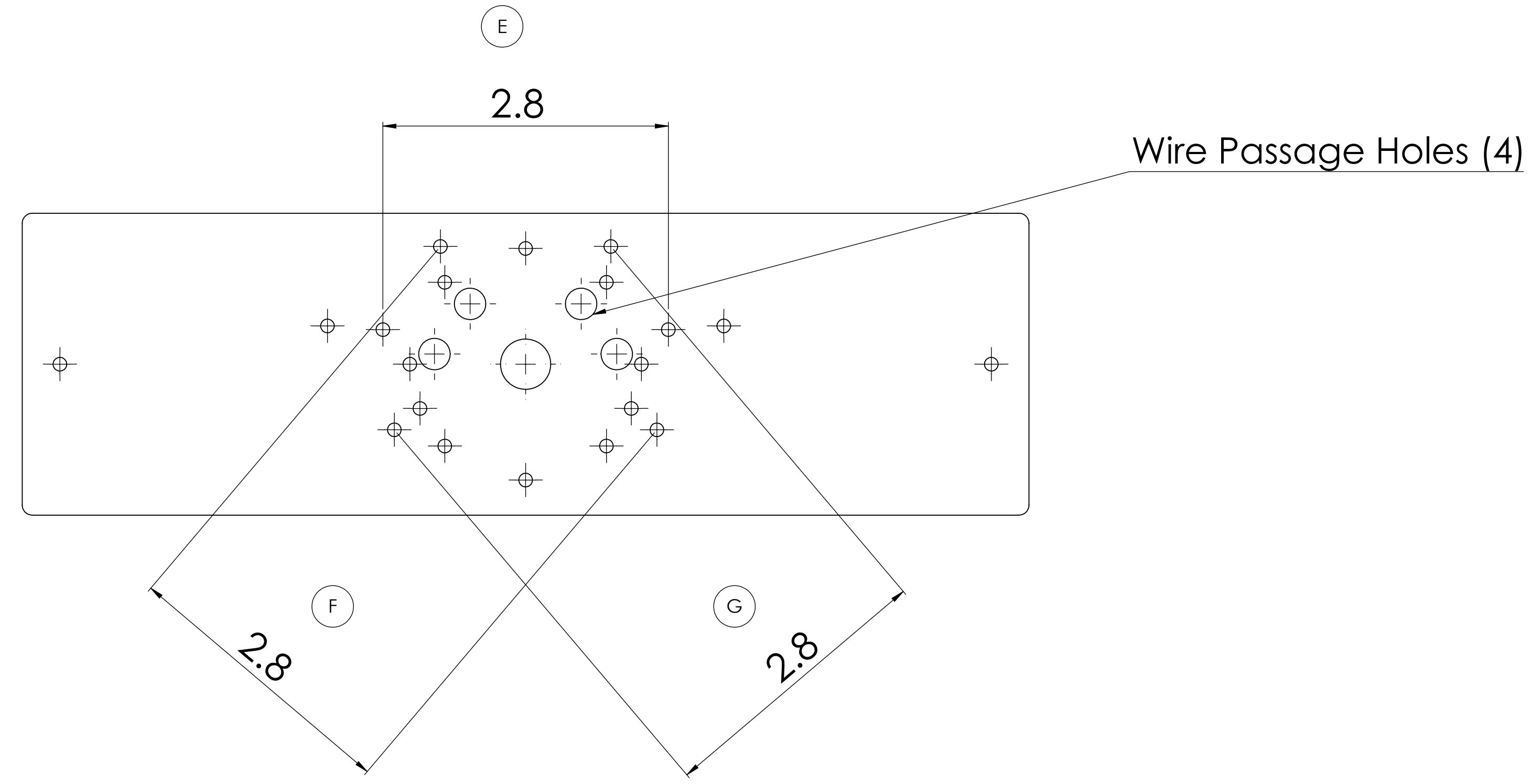


A	IXIO
B	Eagle HM
C	Falcon / IS40 / IS40P
D	LZR Family LH/Rt/Center
E	LZR - microscan Center
F	LZR - microscan Left
G	LZR - microscan Right



Part Volume : mm³ - Part Weight : gr

THIS DRAWING IS THE PROPERTY OF BEA AND MAY NOT BE REPRODUCED WITHOUT WRITTEN AGREEMENT

MODIFICATIONS LIST				
Date	By	Description	Ver	Rev
02/16/16	JMM	Original Document	01	00

**PROD. NAME :** Mini Industrial Bracket  
**TITLE :** Product Drawing  
**GENERAL TOLERANCE :**  
**MATERIAL :**  
**TREATMENT :**  
**Scale :** NTS A0  
**Scale :**

**DATE :** 02/16/16  
**VERIFIED :**  
**APPROVED :**

**DRAWER :** JMM  
**DATE :** 02/16/16

A HALMA COMPANY  
 www.bea.se

PAGE: 1 / 1