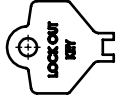


10 LINE CYLINDER LEVER LOCK

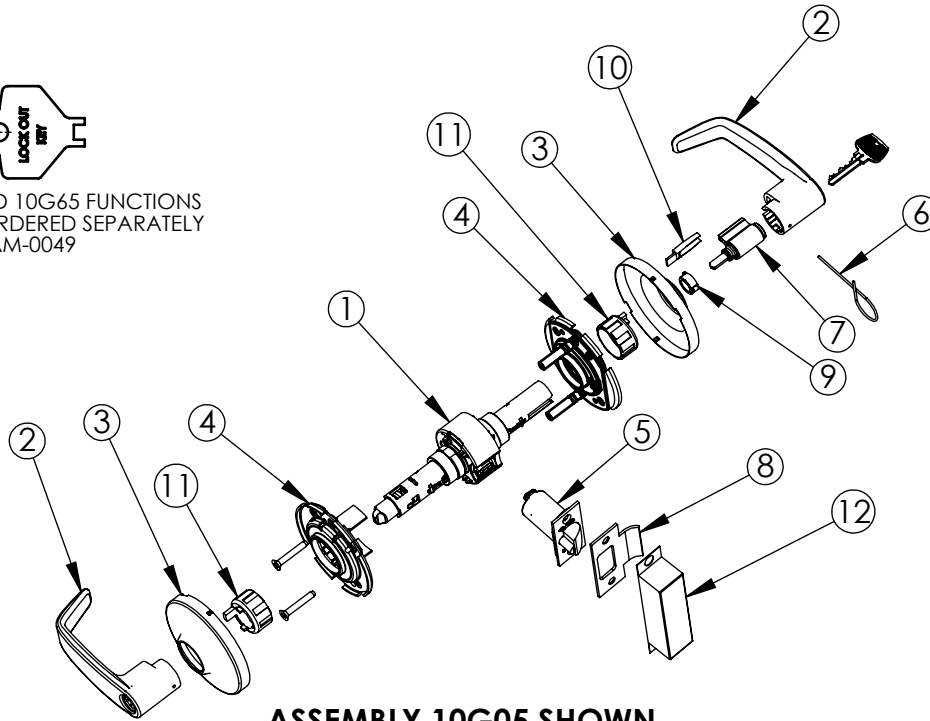
PARTS LIST

PAGE No. 10-1
REV. D

04/2010



10G50 AND 10G65 FUNCTIONS
MUST BE ORDERED SEPARATELY
PART No. AM-0049



ASSEMBLY 10G05 SHOWN

ITEM No.	PART NUMBER	DESCRIPTION	QTY.
1	SEE PAGE 10-2	LOCKBODY ASSEMBLY	1
2	SEE PAGE 10-3	LEVER HANDLE	2
3	SEE PAGE 10-4	ROSE SCALPS	2
4	SEE PAGE 10-4	ROSE ASSEMBLY	2
5	SEE PAGE 10-5	LATCH ASSEMBLY	1
6	SEE PAGE 10-7	SCREW PACK	1
7	13-3266	STD. CYL. ALL EXCEPT 50 FUNCTION*	1
	13-3492	STD. CYL. 50 FUNCTION (LIMITED KEYING)*	
8	08-0312	STRIKE No. 800* (STANDARD)	1
	08-0066	STRIKE No. 808 (28 PREFIX)*	
9	10-0019	CYLINDER SPACER	1
	10-0494	CYLINDER SPACER (KESO)	
10	10-0312	CYLINDER RETAINER	1
	10-0313	CYLINDER RETAINER FOR RC, IC AND KESO CYLINDERS	
11	10-0792	SPACER BUSHING	2
12	AM-0044	STRIKE BOX (STANDARD)	1
	77-1141	STRIKE BOX (28- PREFIX)	

NOTES:

- (*) INDICATES PART MUST BE ORDERED BY FINISH.
- FOR AVAILABLE FINISHES SEE CATALOG.