

4000 Series Exit Devices

Premier Product

Certification & Compliance:

- ANSI/BHMA A156.3, Grade 1
- ANSI A117.1 Accessibility Code
- Underwriters Laboratories (UL and CUL) listed for accident hazard (panic) standard.
- Fire Exit hardware for hollow metal doors, UL and CUL listed for 3 hour, A label and lesser doors, Prefix "F" before part number.
- Fire Exit hardware for wood doors, listed up to 1-1/2 hour, B label doors.
- All exit devices comply with life safety code NFPA 101.
- All fire rated devices comply with fire door and window code NFPA80.



4800 Narrow Stile Rim Exit Device

4600 Narrow Stile Concealed Vertical Rod Device

4900 Narrow Stile Mortise Device



General Specifications:

	4600	4800	4900
Chassis	Non-ferrous alloy	Non-ferrous alloy	Non-ferrous alloy
Chassis cover	Cold drawn brass, bronze or stainless steel	Cold drawn brass, bronze or stainless steel	Cold drawn brass, bronze or stainless steel
Door Types	Hollow metal or extruded aluminum	Wood, hollow metal or extruded aluminum	Wood or hollow metal
Door Thickness	1-3/4" (44.45mm) minimum	1-3/4" (44.45mm) minimum	1-3/4" (44.45mm) standard, up to 2-1/4" (57.15mm) available
Stile	Must be hollow, with inside dimension of at least 1-1/4" (31.75mm) at stile width and 1-3/8" (34.925mm) at thickness	1-3/4" (44.45mm) minimum	4-1/2" (114.30mm) minimum
Mounting	Supplied with machine screws	Supplied with wood and machine screws. Available with thru bolts.	Supplied with wood and machine screws. Available with thru bolts.
Handing	Handed. Specify LHRB or RHRB	Handed. Specify LHRB or RHRB	Handed. Specify LHRB or RHRB
Dogging	Allen-type standard. Available with cylinder dogging (suffix CD)	Allen-type standard. Available with cylinder dogging (suffix CD)	Allen-type standard. Available with cylinder dogging (suffix CD)
Top/bottom bolts	Stainless steel	N/A	N/A
Latchbolt	N/A	Stainless steel, 3/4" (19.05mm) throw	Brass, 3/4" (19.05 mm) throw
Rail	Roll formed brass, bronze or stainless steel	Roll formed brass, bronze or stainless steel	Roll formed brass, bronze or stainless steel
Rail Projection	3-1/4" (82.55mm) maximum	3-1/4" (82.55mm) maximum	3-1/4" (82.55mm) maximum
Opening Height	96" (2438.40mm) standard	N/A	N/A
Fire Exit	4' x 10' single door	N/A	4' x 8' single door
Hardware-up to:	8' x 10' pairs of doors	N/A	8' x 8' pairs of doors
Trim	See trim pages 119, 120	See trim pages 119, 120	See trim pages 119, 120
Finishes	US3, US4, US10, US10B, US32, US32D	US3, US4, US10, US10B, US32, US32D	US3, US4, US10, US10B, US32, US32D

Order Example:

Example: To order 4800 Narrow Stile Rim Exit Device with SL Trim.

Specify:


Standard:	48	88	SL	26D	F	32D	RR	xxx
	Series	Function	Outside Trim (If Applicable)	Outside Finish	Rail Size	Push Bar Finish	Handing	Options (If Required)

1000, 3000, 4000 Series Exit Devices

Classic Product

Arrow 1000, 3000 & 4000 Series Exit Device Trim:

Optional Slip-Clutch Lever Design

- Optional slip-clutch is built in beneath security collar added to shank of lever.
- Available for use with SL88, SL33 and SL08 exit device trim for 1000 and 3000 Series Exit Devices. (Not available for S1150 or S1250 Series devices.)
- 

Vandal-resistant slip-clutch lever releases when excessive force is applied without retracting latch. Easily reset by returning lever to horizontal position.

Exit Device Type:

ANSI TYPE	ARROW DEVICE	
Type 1	Rim	S1250, 1800, 3800
Type 2	Surface Vertical Rod	S1150, 1700, 3700
Type 3	Mortise	1900, 3900
Type 4	Narrow Stile Rim	4800
Type 6	Narrow Stile Concealed Vertical Rod	4600
Type 8	Metal Door Concealed Vertical Rod	3600
Type 10	Narrow Stile Mortise	4900
Type 22	Removable Mullion	S20, S21

Exit Device Function:

ANSI ARROW FUNCTION	
01	Exit only; no outside trim 01, 03
02	Entry by trim when actuating bar is locked 01, 02, 03
03	Entry by trim when latchbolt retracted by key. Key removable only when trim is locked. 03
05	Entry by thumbpiece when thumbpiece locked/unlock by key. 05
05A	Entry by thumbpiece; thumbpiece always operative, no outside cylinder. 5A
08	Entry by knob/lever; outside key locks, unlocks knob/lever. 08
08A	Entry by knob/lever; outside knob/lever always operative. 08A
11	Entry by auxiliary control turnpiece key locks, unlocks control. 11
12	Entry by auxiliary control turnpiece only when released by turning key. Key removable only when locked. 12

Exit Device Trim Functions:

Function	1700/1700-FR	1800/1800-FR	1900/1900-FR
02*	SP, SS, SB, SN	SP, SS, SB, SN, SL	SP, SS, SB, SN, SL
03	N/A	SP, SS, SB, SN, SL	SP, SS, SB, SN, SL
05	SP, SS, SB, SN	SP, SS, SB, SN	SP, SS, SB, SN
05A	SP, SS, SB, SN	SP, SS, SB, SN	SP, SS, SB, SN
08	SL	SL	SL
08A	SL	SL	SL
11	S311	N/A	N/A
12	S312	N/A	N/A

Function	3600/3600-FR	3700/3700-FR	3800/3800-FR	3900/3900-FR
02*	SL	SP, SS, SB, SN, SL	SP, SS, SB, SN, SL	SP, SS, SB, SN, SL
03	N/A	N/A	SP, SS, SB, SN, SL	SP, SS, SB, SN, SL
05	N/A	SP, SS, SB, SN	SP, SS, SB, SN	SP, SS, SB, SN
05A	N/A	SP, SS, SB, SN	SP, SS, SB, SN	SP, SS, SB, SN
08	SL	SL	SL	SL
08A	SL	SL	SL	SL
11	S411	S311	N/A	N/A
12	S412	S312	N/A	N/A

Function	4600/4600*-FR	4800	4900/4900-FR
02*	SL	SS, SL	SS, SN, SL
03	N/A	SS, SL	SS, SN, SL
05	N/A	N/A	SS, SN
05A	N/A	N/A	SS, SN
08	SL	SL	SL
08A	SL	SL	SL
11	S511/UL-S411	N/A	N/A
12	S512/UL-S412	N/A	N/A

*02 not available fire rated.

Order Example:

Example: To order.

Specify:

Standard:

38

Series

88

Function

SL

Outside Trim
(If Applicable)

26D

Outside Finish

F

Rail Size

32D

Push Bar Finish

RR

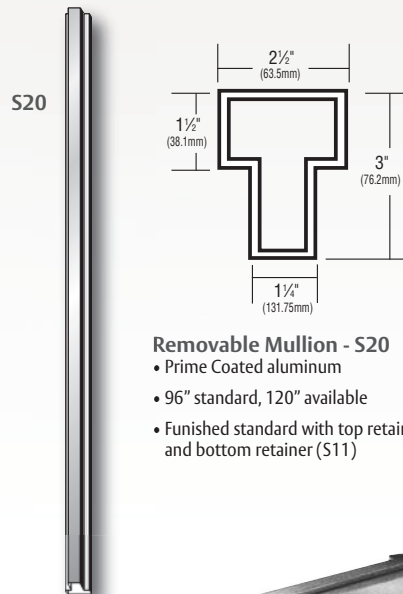
Handing

xxx

Options
(If Required)

Mullions & Accessories Series Exit Devices

Mullions & Accessories:



S20

Removable Mullion - S20

- Prime Coated aluminum
- 96" standard, 120" available
- Finished standard with top retainer (S10) and bottom retainer (S11)

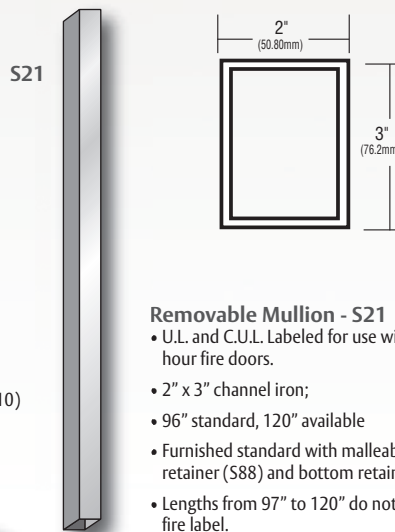


S3000 Dummy Rail

A non-functioning rail assembly for use on double doors. Matches S3000 and S4000 series exit devices. Available in sizes 24 (for 24"-29" doors), 36 (for 30"-36" doors), 48 (for 37"-48" doors). Bars can be cut down in the field. For stile width under 4-1/2", specify next larger size. Available in finishes - 3, 4, 10, 10B, 32, 32D, AL, BRZ.



By. Safe. Be Secure. Be Certified.



S21

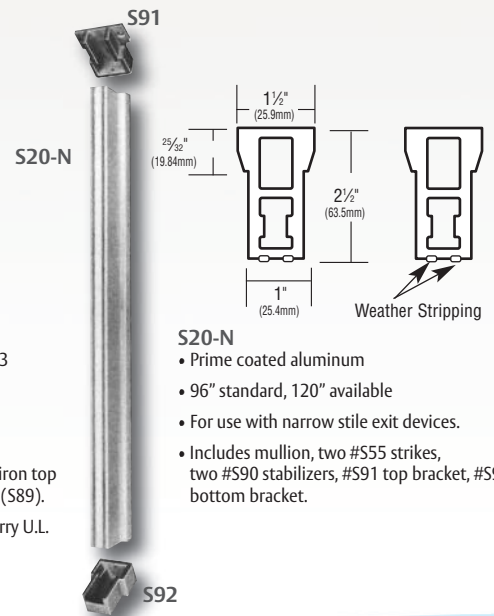
Removable Mullion - S21

- U.L. and C.U.L. Labeled for use with 3 hour fire doors.
- 2" x 3" channel iron;
- 96" standard, 120" available
- Furnished standard with malleable iron top retainer (S88) and bottom retainer (S89).
- Lengths from 97" to 120" do not carry U.L. fire label.



Cylinder Dogging Rail

- Optional cylinder dogging available



S20-N

S20-N

- Prime coated aluminum
- 96" standard, 120" available
- For use with narrow stile exit devices.
- Includes mullion, two #S55 strikes, two #S90 stabilizers, #S91 top bracket, #S92 bottom bracket.

S91
S92

VRX-18 Rod Extension

- Prime Coated aluminum
- 96" standard, 120" available
- Furnished standard with top retainer (S10) and bottom retainer (S11)

Mullions:

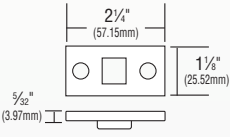
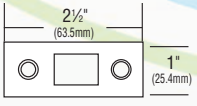
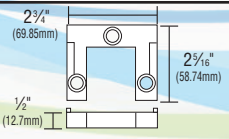
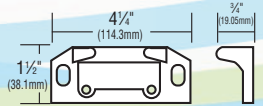
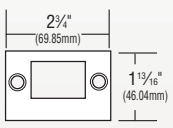
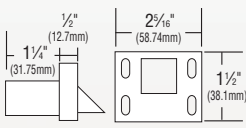
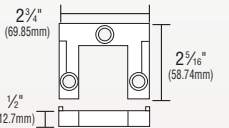
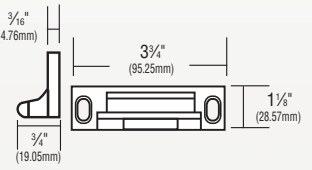
Description	Part No.
Removable mullion - 96"	S20
Removable Mullion - 120"	S20-120
Key removable mullion - 96", less cylinder	S20-K
Removable mullion for narrow stile - 96"	S20-N
Removable mullion for narrow stile - 120"	S20-N-120
Fire-rated removable mullion - 96"	S21
Fire-rated key removable mullion - 96", less cylinder	S21-K
Top retainer for S20	S10
Bottom retainer for S20	S11
Top retainer for S20-N	S91
Bottom retainer for S20-N	S92
Stabilizer for S20-N	S90
Top retainer for S21	S88
Bottom retainer for S21	S89

Fire Labeled Hardware Exit Devices

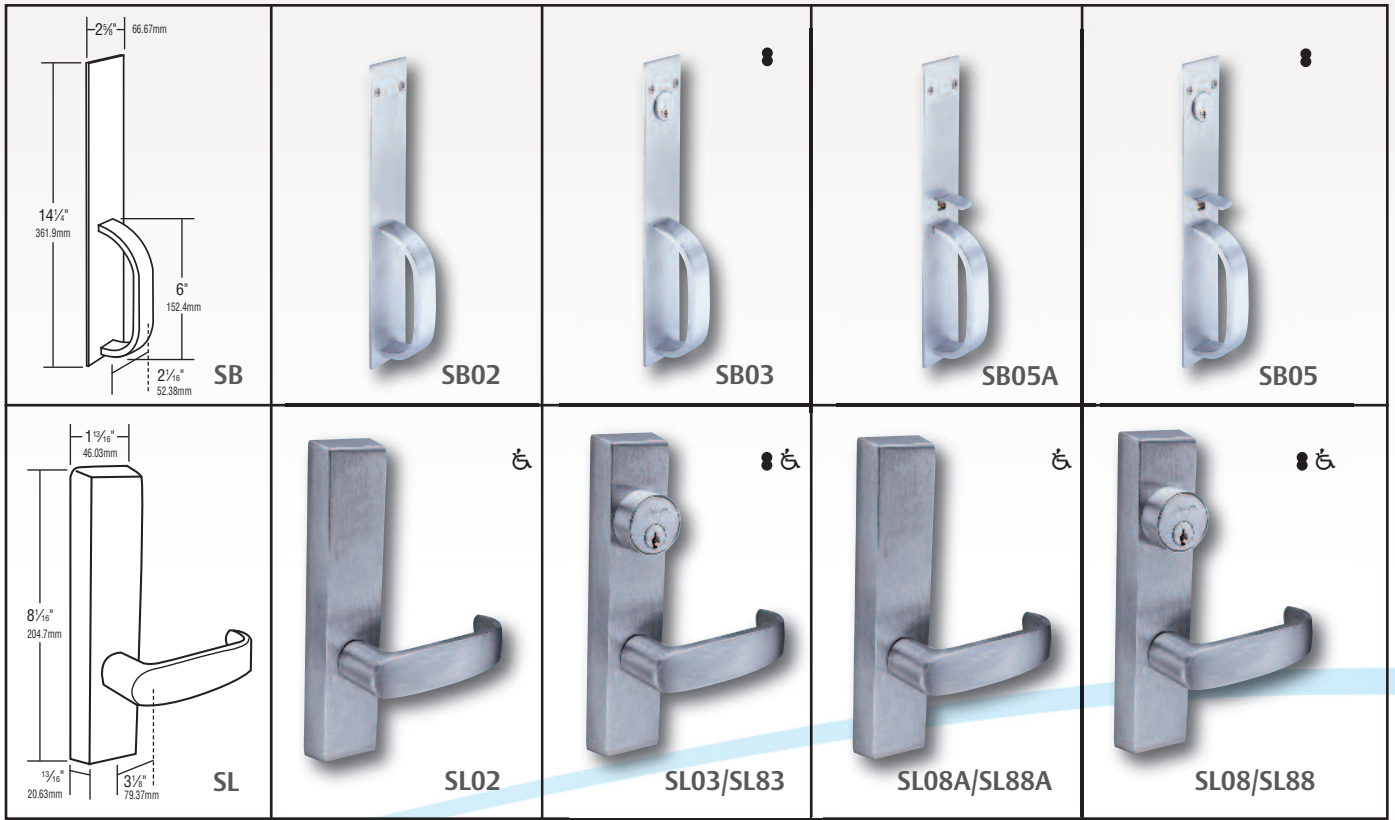
Selection chart for A through E labeled doors

For reference only. Refer to latest UL building materials list for complete information.

Application	Type	Narrow Device	Standard Device	Maximum Door Opening
Single Door	Rim	—	FS1250 1800-FR 3800-FR	4'0" x 8'0"
	Mortise	4900-FR	1900-FR 3900-FR	4'0" x 8'0"
Double Doors with S21 Mullion	Rim	—	FS1250 x FS1250 1800-FR x 1800-FR 3800-FR x 3800-FR	8'0" x 8'0"
	Mortise x concealed vertical rod	4900-FR x 4600-FR	3900-FR x 3600-FR	8'0" x 8'0"
Double Doors without Mullion	Mortise x surface vertical rod	—	1900-FR x 1700-FR 3900-FR x 3700-FR	8'0" x 8'0"
	Two concealed vertical rod	4600-FR x 4600-FR	3600-FR x 3600-FR	8'0" x 8'0"
	Two surface vertical rod	—	FS1150 x FS1150 1700-FR x 1700-FR 3700-FR x 3700-FR	8'0" x 8'0" (B-E)
Double Egress Doors	Two concealed vertical rod	4600-FR x 4600-FR	3600-FR x 3600-FR	8'0" x 7'2" (A) 8'0" x 8'0" (B-E)
	Two surface vertical rod	—	FS1150 x FS1150 1700-FR x 1700-FR 3700-FR x 3700-FR	8'0" x 7'2" (A) 8'0" x 8'0" (B-E)

 <p>S13 Bottom Strike Stainless steel. Furnished with expansion shields. Stainless steel.</p>	 <p>S14 For application to wood or hollow metal doors.</p>	 <p>S15 Bottom Strike Alternate for 1700-FS. For use on 1/2" threshold. Stainless steel. Furnished with expansion shields.</p>	 <p>S24 F-400 Series standard for single door applications. Black nylon coated.</p>
 <p>S45 Standard for F-S1700. Flush mounted. Stainless steel. Furnished with expansion shields.</p>	 <p>S46 Bottom Strike Standard for F-S1150, F-S3700. Flush mounted. Furnished with expansion shields. Stainless steel, black nylon coated.</p>	 <p>S58 Bottom Strike Alternate for F-S1150, 3700-FS. For use on 1/2" threshold. Stainless steel, nylon coated. Furnished with expansion shields.</p>	 <p>646 Fire Rated Top Strike Standard for FS1150 and 3700-FR. Surface applied. Nylon Coated</p>

Exit Device Trim



ASSA ABLOY, the global leader in door opening solutions

Exit Device Trim

	<p>Auxiliary Outside Control</p>	<ul style="list-style-type: none"> • S311—Use with S3700, FS3700, S1700, FS1700. Key locks or unlocks turn lever. • S312—Use with S3700, FS3700, S1700, FS1700. Turn lever operative only with key in cylinder and turned. • S411—Use with S3600, FS3600, FS4600. Key locks or unlocks turn lever. • S412—Use with S3600, FS3600, FS4600. Turn lever operative only with key in cylinder and turned. • S511—Use with S4600. Key locks or unlocks turn lever. • S512—Use with S4600. Turn lever operative only with key in cylinder and turned. 			
<p>SP</p>	<p>SP02/SP82</p>	<p>SP03/SP83</p>	<p>SP05A</p>	<p>SP05</p>	
<p>SS</p>	<p>SS02/SS82</p>	<p>SS03/SS83</p>	<p>SS05A</p>	<p>SS05</p>	
<p>SN</p>	<p>SN02/SN82</p>	<p>SN03/SN83</p>	<p>SN05A</p>	<p>SN05</p>	

Exit Device Selection Chart

For reference only. Refer to latest UL building materials list for complete information.

Application	Type	Narrow Stile Touch Bar	Standard Touch Bar	Crossbar
Single Door	Rim	4800	S1250, FS1250 3800, 3800-FR	1800, 1800-FR
	Vertical Rod	—	S1150, FS1150 3700, 3700-FR	Mortise
	Concealed Vertical Rod	4600, 4600-FR	3600, 3600-FR	Mortise
	Mortise	4900, 9600-FR	3900, 3900-FR	Mortise
Double Doors with Mullion	Rim	4800 x 4800 with S20-N mullion	S1250 x S1250 3800 x 3800 with S20 mullion FS1250 x FS1250 3800-FR x 3800-FR with S21 mullion	Mortise
Double Doors without Mullion	Concealed Vertical Rod	4600 x 4600 4600-FR x 4600-FR	3600 x 3600 3600-FR x 3600-FR	Mortise
	Vertical Rod	—	S1150 x S1150 FS1150 x FS1150 S3700 x S3700 3700-FR x 3700-FR	Mortise
	Vertical Rod x Mortise	—	3700 x 3700 3700-FR x 3700-FR	Mortise