

# 7800 & 7900 Powered Door Operators


## Premier Product

The Arrow 7800 & 7900 Series Powered Door Operators are low-energy operators which function as standard spring-force closers during close cycles when a door is opened manually, or if power is lost or turned off.

The 7800 is a hard wired door operator ideal for doctors' offices, retirement facilities, schools, churches, and other applications where noise may be a concern. The 7900 Series builds off the platform of the 7800 but is supplied with a plug-in power cord.

### Compliance:

- UL/cUL listed.
- Certified to ANSI/BHMA A 156.19 Meets ANSI/BHMA A 156.4 requirements.
- Meets ADA requirements (Americans with disabilities Act).

 Look for the universal symbol next to Arrow products that comply with ADA accessibility requirements.



**Introducing the Arrow 7900 Series Door Operator with Plug-in Power Cord!**

Arrow is pleased to announce the addition of the 7900 series powered door operator to its product line. This series is an extension of the 7800 series but offers the convenience of a plug-in power cord, in lieu of the hard wire power input requirement for the 7800 series. The 7900 series, once installed, simply plugs into a code compliant 120 VAC power receptacle.



The power cord is only available on new 7900 Series products and cannot be added to 7800 Series operators. The offering is the same as our current non-power cord version (7800 Series) except that the part numbers begin with 79xx instead of 78xx.

### Interior Door Width

	24" (610mm)	30" (762mm)	34" (865mm)	38" (965mm)	48" (1219mm)	54" (1372mm)	60" (1524mm)
Regular Arm & Top Jamb	Size 1	Size 2	Size 3	Size 4	Size 5	Size 6	
Parallel Arm	Size 2	Size 3	Size 4	Size 5	Size 6		

### Exterior (& Vestibule) Door Width

	24" (610mm)	30" (762mm)	36" (914mm)	42" (1067mm)	48" (1219mm)
Regular Arm & Top Jamb	Size 3	Size 4	Size 5	Size 6	
Parallel Arm	Size 4	Size 5	Size 6		

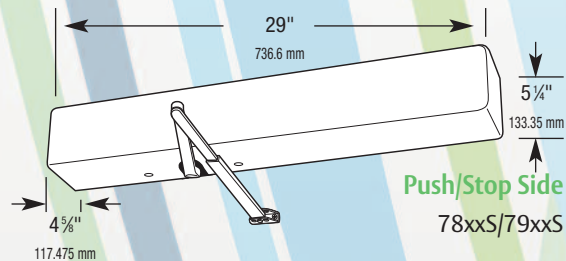
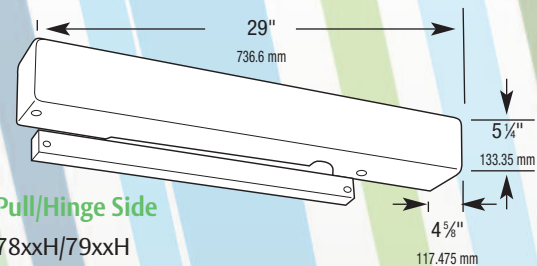
### Features:

- Ease of installation and setup
- Simple instructions
- Application versatility and ease of adjustment. Push or pull side mounted units available
- Operates as mechanical surface closer during close cycles, when door is opened manually or if power is interrupted
- Quiet operation
- Spring force provides the feel of a normal manual door closer
- Adjustable Spring Power
- Backcheck Valve
- Sweep Valve & Latch Valve
- Non-Handed
- Unit Activation Options:
  - Wall switches
  - Radio frequency device
- End-User On/Off Switch
- Hold Open options:
  - 0-30 seconds (5 seconds minimum required for ADA and ANSI/BHMA A156.19)

- Obstruction Detection:
  - Motor stops if door is obstructed during a powered opening cycle
  - Door closes under manual spring force (not to exceed 15lbs)
- Power Input: 120 VAC, 60Hz
- Current Draw: .6A
- Relay Output: DPDT
  - Normally Open/Normally Closed (jumper) for electric strike function
- On Board UL Listed Power Supply
  - Rated at 1.1 amps
  - 24VDC filtered and regulated voltage output
- 2-year warranty

### Finishes:

- Aluminum (689), Specify **AL**
- Dark Bronze (690), Specify **DB**



# 7800 & 7900 Powered Door Operators

## Premier Product

### Standard Applications:



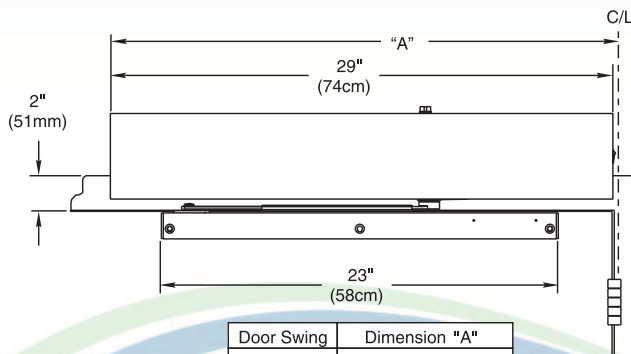
### 7814H/7836H/7914H/7936H

#### Hinge (Pull) Side of Door

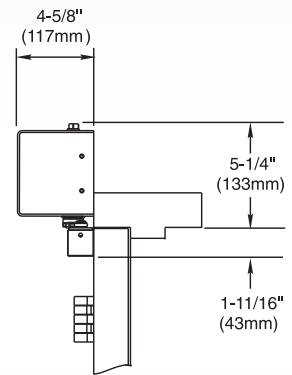
- Adjustable Stop
- 180° swing (trim permitting)

Minimum Door width  
 Single Door – 29" (74cm)  
 Double Door – 30" (76cm)

An auxiliary door stop is suggested where severe conditions exist, or door opens beyond 110°.



Door Swing	Dimension "A"
110	29-13/16" (76cm)
180	27-9/16" (70cm)



**NOTE:** Contact factory for use on doors exceeding 250 lbs.

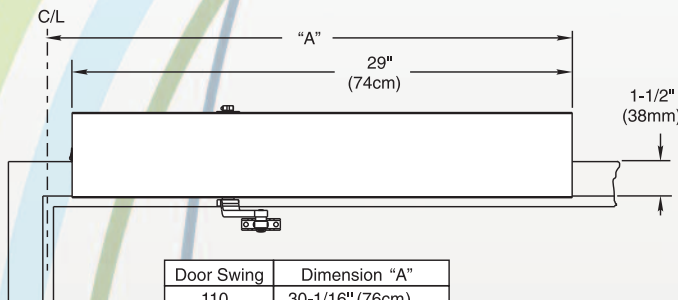


### 7814S/7836S/7914S/7936S

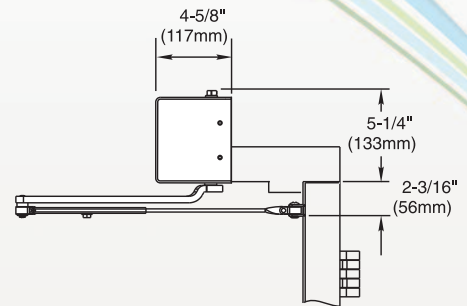
#### Stop (Push) Side of Door

#### Standard Duty Double Lever Arm

- Frame reveals 2-5/8" to 6-3/4" (67-171mm)
- An auxiliary door stop is required for these applications.
- 170° swing (trim permitting)



Door Swing	Dimension "A"
110	30-1/16" (76cm)
170	27-9/16" (70cm)



**NOTE:** Contact factory for use on doors exceeding 250 lbs.

# 7800 & 7900 Powered Door Operators

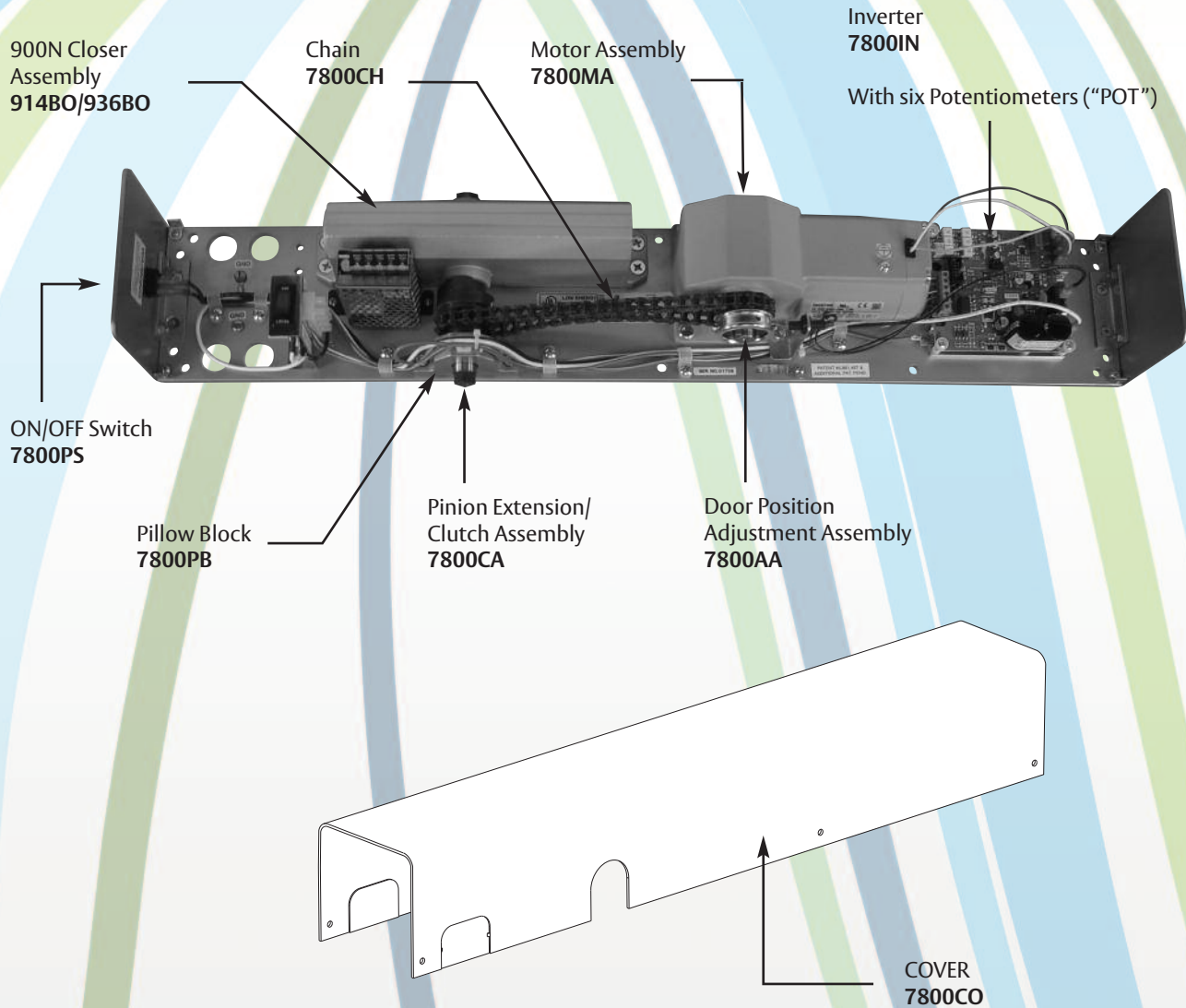
## Premier Product

### Internal Components & Mechanism:



- Circuit breaker
- Activation switch terminal
- Relay terminal

POT	DESCRIPTION
COMP	Motor Torque at Hold Open Position
ACC	Door Mounting (Factory Set)
DEC/B	Hold Open Time (5-30 Seconds)
MIN	Motor Reversing Speed
MAX	Door Open Speed
CL	Obstruction Detection on Open





# 7800 & 7900 Powered Door Operators

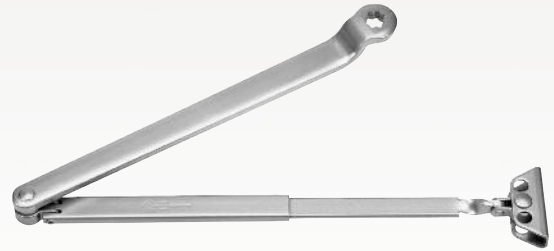
## Premier Product

### Parts & Accessories:

#### Arm and Track Assemblies



7800TC – Arm and Track Assembly  
7800TA – Arm Assembly  
7800TO – Track Assembly



7800SC – Arm Assembly  
7800SA – Main Arm & Adjusting Tube  
7800ST – Rod & Shoe

#### Signage

• Supplied standard



2 Per Operator



1 Per Switch



1 Per Switch

#### Push Switches

- 6-5/8" square (box); 8-1/8" square (trim)
- 9 volt battery for RF switches
- Temperature: -4° F to 122° F
- 15 amp @ 125VAC
- Flush or surface† mounted
- Stainless steel with blue letters
- 7800WSHR and 7800WSTR – radio frequency (433MHz)
- For units with radio frequency option having the 7800RK kit
- 7800WST and 7800WSH – hard wired\*



7800WSH, 7800WSHR



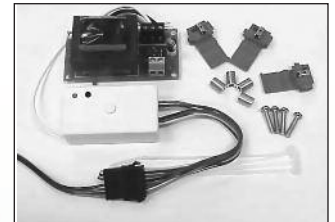
7800WST, 7800WSTR

\* Switches may be installed with single or double gang electrical box using fasteners included.

† When surface mounted, switches project 2" from wall.

#### Radio Frequency Kit

- Radio Frequency Receiver (433 MHz)
- 24 VDC power supply
- Activation switches not included.
- Order 7800KF, 7800T1, 7800T2, 7800WSHR, or 7800WSTR separately.



7800RK

#### Key Fob 7800KF

- Used with radio frequency option 7800RK kit



7800KF

#### Transmitters

- Single Channel 7800T1**
  - 2-3/8"w x 4-3/16"h x 15/16"d
- Two Channel 7800T2**
  - 2-3/8"w x 4-3/16"h x 15-16"d



A.  
7800T1



B.  
7800T2

# 7800 & 7900 Powered Door Operators

## Premier Product

### How to order the 7800 & 7900 Series

#### Ordering Example:

Quantity Part Number Finish  
20 7836H • AL

### 7800 & 7900 Series Powered Door Operators

Mount Application	Closer Size	Radio Frequency	2 Wall Switches	7800	7900
Hinge/Pull	1-4	✓		7814H	7914H
		✓	✓	7814HR	7914HR
	3-6	✓		7814HRP	7914HRP
		✓	✓	7836H	7936H
Stop/Push	1-4	✓		7836HR	7936HR
		✓	✓	7836HRP	7936HRP
	3-6	✓		7814S	7914S
		✓	✓	7814SR	7914SR
Universal	1-4	✓		7814SRP	7914SRP
		✓	✓	7836S	7936S
	3-6	✓		7836SR	7936SR
		✓	✓	7836SRP	7936SRP
	1-4	✓		7814U	7914U
	3-6	✓		7814UR	7914UR
				7836U	7936U
				7836UR	7936UR

### Accessories

Description	Radio Frequency	Switch Displays Handicap Icon	Part Number
6" x 6" Door Switch .....	✓		7800WSTR
	✓	✓	7800WSHR
		✓	7800WSH
			7800WST
Key Fob .....			7800KF
Single Channel Hand Held Transmitter .....			7800T1
Two Channel Hand Held Transmitter .....			7800T2
Radio Frequency Kit .....			7800RK
Mounted Sample Unit (includes 7800MK) .....			M7802
Display Mounting Kit .....			7800MK

### Parts

Description	Part Number
Chain .....	7800CH
Motor Assembly .....	7800MA
Inverter .....	7800IN
On/Off Switch .....	7800PS
Pillow Block .....	7800PB
Pinion Extension Clutch Assembly .....	7800CA
Door Position Adjustment Assembly .....	7800AA
Cover .....	7800CO
Arm & Track Assembly .....	7800TC
Arm Assembly .....	7800TA
Track Assembly .....	7800TO
Standard Arm Assembly .....	7800SC
Main Arm & Rod .....	7800SA
Adjusting Tube & Shoe .....	7800ST

Complete Units, Specify Finish AL or DBZ.



**ASSA ABLOY**