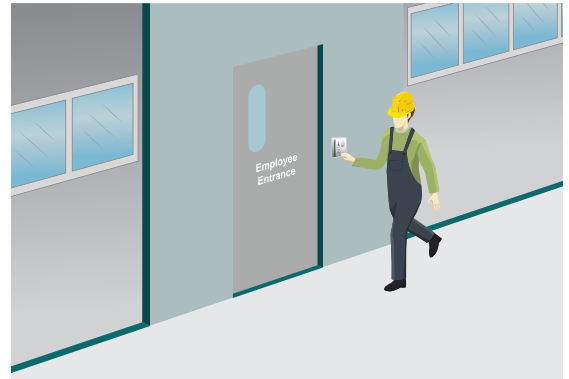


KEYSWITCHES

ACCESS CONTROL SWITCH PLATE



PRIMARY APPLICATIONS



DESCRIPTION

BEA's Keyswitches offers an economical and efficient solution for controlling access in a variety of security applications. Each plate is furnished with both Philips and Spanner (tamper-resistant) screws.

These low-profile, aluminum plates are designed to withstand the rigors of busy environments, while providing an aesthetically pleasing and easy to install access control device.

FEATURES & BENEFITS

- Aluminum wall plate with tamper-resistant screws
- Available in jamb and single wall plates or double gang combo-plate
- Available with momentary or maintained contact
- Capable of switching 6A @ 125 VAC or 3A @ 250 VAC
- Combo plate allows for independent operation of the push plate and keyswitch, or allows the keyswitch to activate or disable the push plate
- Mortise cylinders sold separately

RELATED REQUEST TO EXIT PRODUCTS



R2E-100



FLY KIT



BR3 LOGIC MODULE



MAGLOCKS



ELECTRIC STRIKES

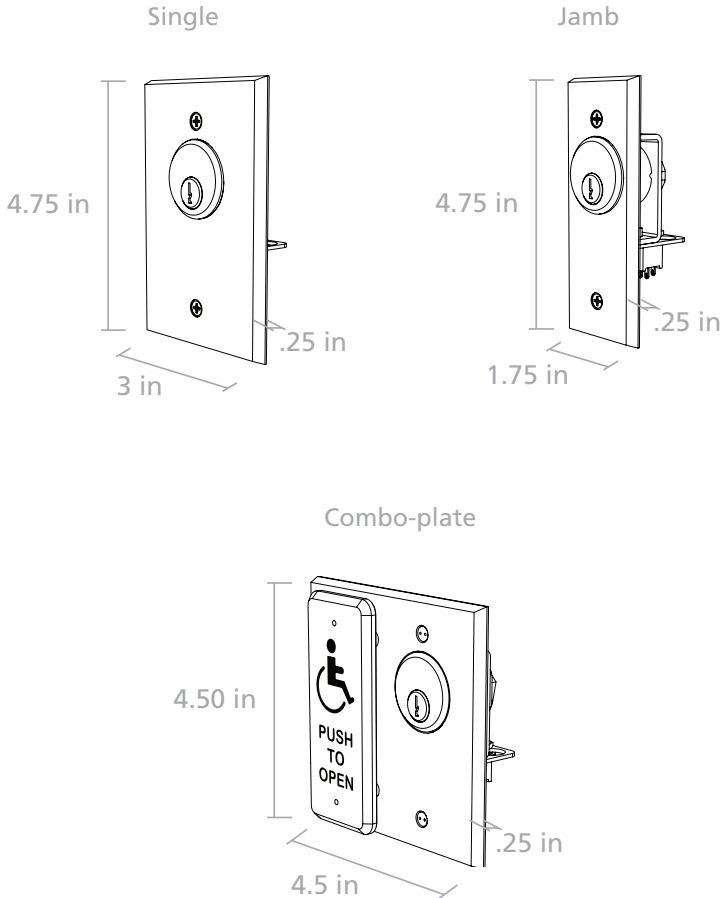


POWER SUPPLIES

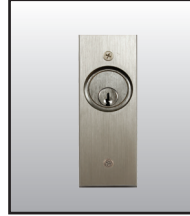
TECHNICAL SPECIFICATIONS

Technology	Mechanical Key Access
Faceplate Dimensions	Single - 4.75 in x 3 in x .25 in, Jamb 4.75 in x 1.75 in x .25 in, Combo-plate - 4.5 in x 4.5 in x .25 in
Visual Style	Combo-plate: Handicap symbol and "Push To Exit" text
Materials	Aluminum wall plate with tamper-resistant screws
Switch Rating	6A @ 125 VAC or 3A @ 250 VAC
Mortise Cylinder	1 1/8" cylinder with straight cam required, NOT INCLUDED (Requires Part 10CYLINDERKA or 10CYLINDERKD)

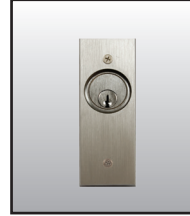
DIMENSIONAL DRAWINGS



RELATED PRODUCTS



10JAMBSWITCHMOM
JAMB,
MOMENTARY



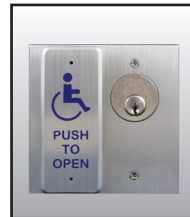
10JAMBSWITCHONF
JAMB,
MAINTAINED



10KEYSWITCHMOM
SINGLE,
MOMENTARY



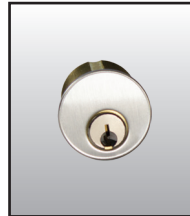
10KEYSWITCHONF
SINGLE,
MAINTAINED



10COMBOPATEMOM
DOUBLE WITH PUSH
PLATE, MOMENTARY



10COMBOPATE
DOUBLE WITH PUSH
PLATE, MAINTAINED



10CYLINDERKA
MORTISE CYLINDER,
KEYED ALIKE



10CYLINDERKD
MORTISE CYLINDER,
KEYED DIFFERENT

