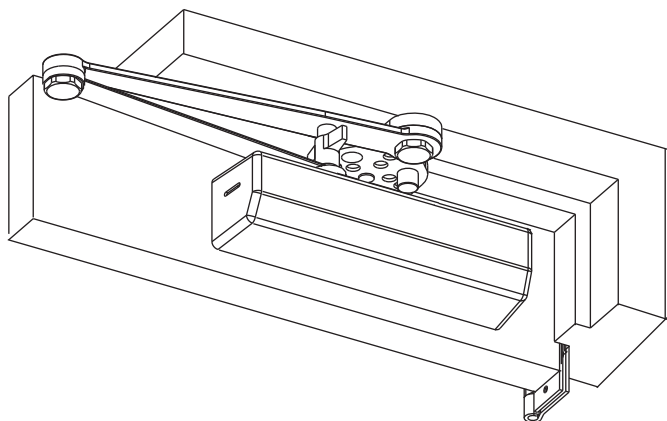


Installation Instructions



ASSA ABLOY

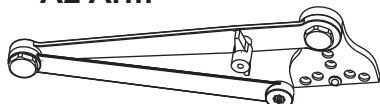


DC6210 Series
Multi-Sized 1 thru 6

DC6410 Series
Half-Size 1 thru 6

**Universal Door Closers
with Heavy Duty Parallel Arms:**
A2 - H.O. without Backstop
A4 - N.H.O. with Backstop
A5 - H.O. with Backstop

A2 Arm



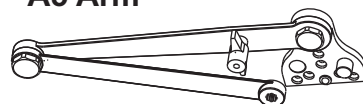
*This application requires an auxiliary door stop "by others"
Hold Open Only
(No Stop Feature)

A4 Arm



Non-Hold Open with Backstop

A5 Arm



Hold Open with Backstop

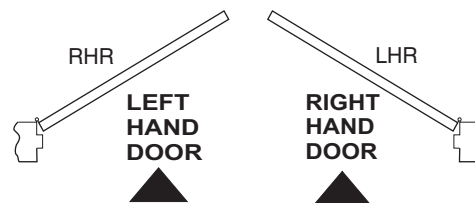
IMPORTANT:

- An improperly installed or incorrectly adjusted door closer may cause **property damage** or **personal injury**; and will void product warranty.
- To avoid personal injury, **DO NOT DISASSEMBLE THIS DOOR CLOSER BODY.**
- Door closers must be securely fastened to a properly reinforced door and frame with fasteners provided.
- Door closers with a HOLD OPEN ARM are not permitted to be installed in fire door assemblies.
- Door and frame must be specifically templated for 85°, 90°, 100° or 110° door swing.

Size of Door & Door Closer

| Type of Installation | Interior | Exterior In -swinging | Exterior Out -swinging | Recommended Closer Size | **Max. Opening Force lbs/f |
|----------------------|----------|-----------------------|------------------------|-------------------------|----------------------------|
| Parallel Arm | 2'4" | _____ | _____ | 1 | 8 |
| | 2'6" | _____ | _____ | 2 | 14 |
| | 3'0" | _____ | 2'6" | 3 | 16 |
| | 3'6" | _____ | 3'0" | 4 | 22 |
| | 4'0" | _____ | *3'6" | 5 | 24 |
| | 4'6" | _____ | *4'0" | 6 | 26 |

TO DETERMINE HAND OF YOUR DOOR:



*DC6410 Series Recommended

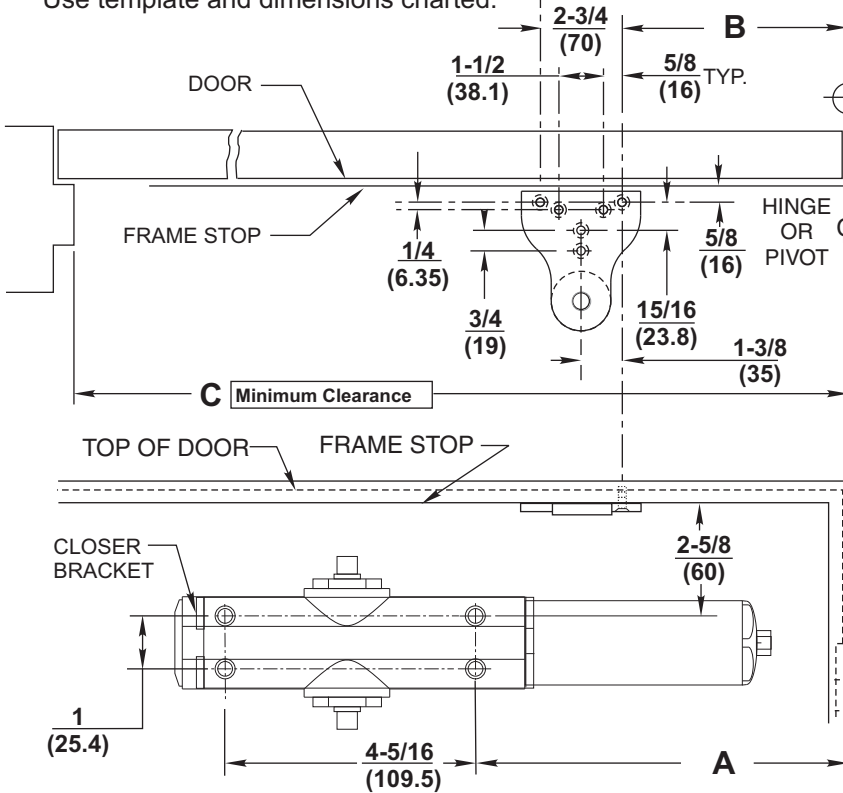
**NOTE: These forces are for standard templating with bearing type hinges and do not account for pressure differentials and draft. Half size closers DC6410 are capable of being adjusted to next higher setting.

Installation Instructions

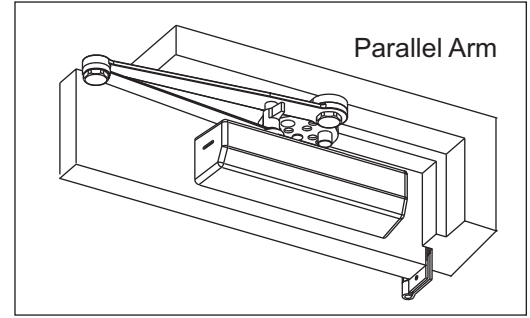
Parallel Arm Application DC6210 / DC6410 Series x A2, A4, or A5 Arm Option.

1. Template

Mark Door and Jamb (for closer bracket and arm bracket)
Use template and dimensions charted.

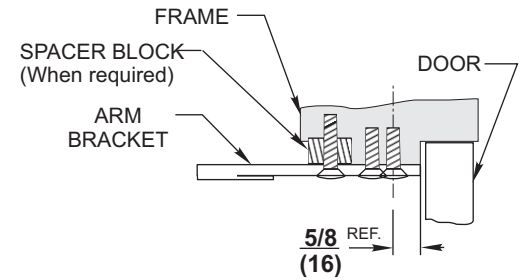


| OPENING MAXIMUM | A | B | C MINIMUM |
|-----------------|----------------|---------------|--------------|
| 85° | 13-3/4 (349) | 12-9/16(319) | 28-3/4 (730) |
| 90° | 12-13/16 (325) | 11-5/8 (295) | 27-7/8 (708) |
| 100° | 11-1/4 (286) | 10-1/16 (256) | 26-1/4 (667) |
| 110° | 9-15/16 (252) | 8-3/4 (222) | 25 (635) |

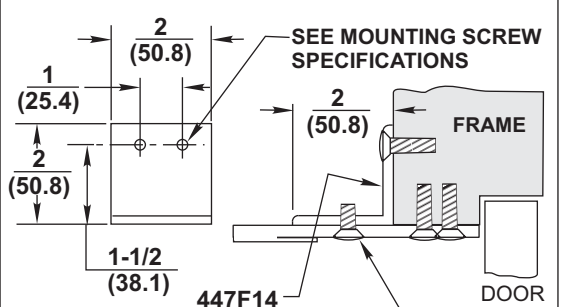


NOTES:

- Check hand of door, see page 1.
- Right Hand Application Shown Left Hand Opposite
- Dimensions given in inches (mm). Do Not Scale Drawing.
- Closer must be installed in a true horizontal plane to ensure proper closer performance.



M85 OPTION 447F14 ANGLE SUPPORT BRACKET

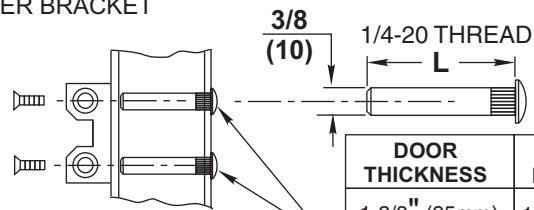


NOTE: ANGLE SUPPORT MUST BE DRILLED AND TAPPED IN THE FIELD

MOUNTING SCREW SPECIFICATIONS ARM AND CLOSER BRACKET

1/4-20 oval head machine screw or 1/4-14 self-drilling screw. 3/16 (4.8) diameter pilot hole required for Wood Applications.

or { Option M54:
Sex nuts, Furnished when ordered



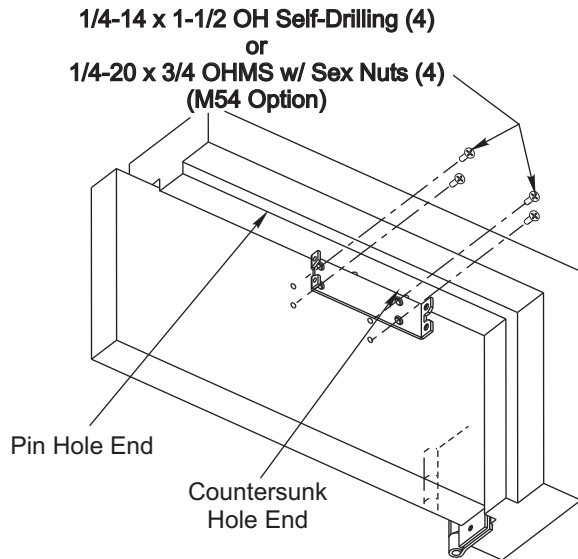
| DOOR THICKNESS | SEX NUT LENGTH "L" |
|----------------------|--------------------|
| 1-3/8" (35mm) | 1-9/32" (33mm) |
| 1-3/4" (44mm) & OVER | 1-21/32" (42mm) |

Drill thru 9/32 (7.1) Enlarge to 3/8 (9.5) Dia. This Side Only (4 Places)

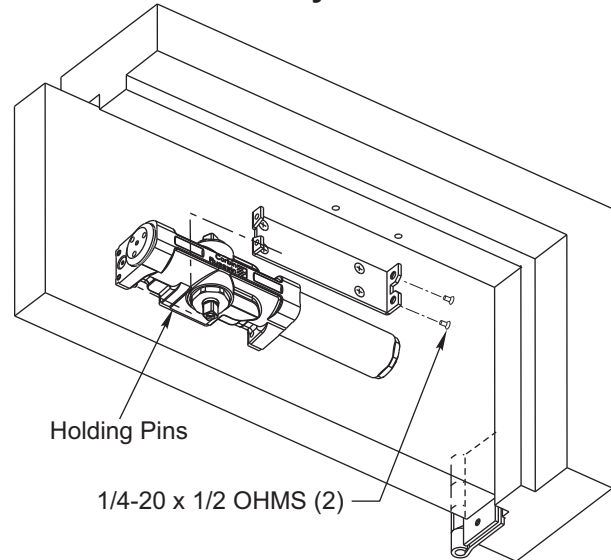


ASSA ABLOY

2. Install Closer Bracket

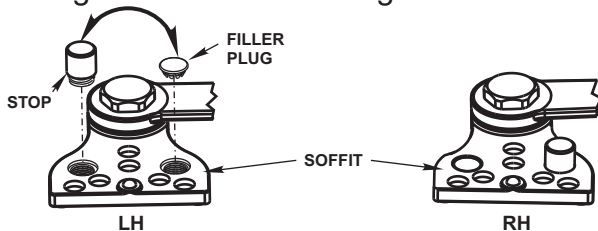


3. Mount Closer Body to Closer Bracket

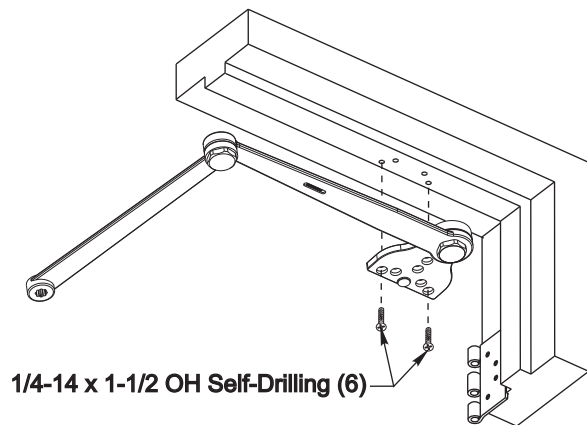


4. A4 & A5 Backstop Arms Only Arms shipped for Left Hand Door. To change handing:

Remove Stop from Soffit with 5/32 Allen Wrench. Remove Filler Plug. Switch Stop and Filler Plug to opposite sides. Insert Stop and tighten. Push Filler Plug into hole.



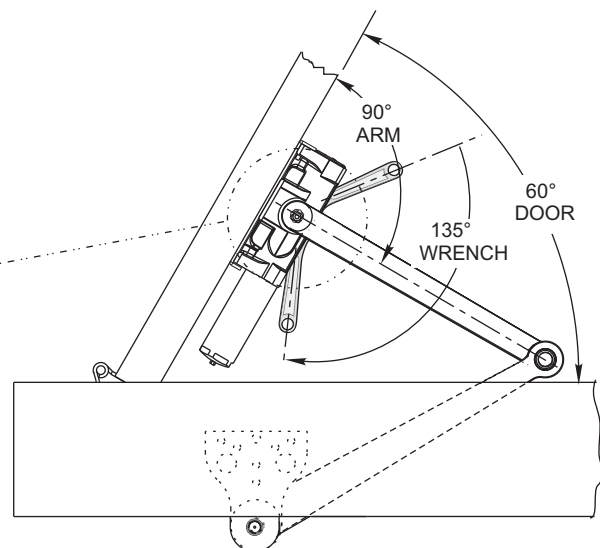
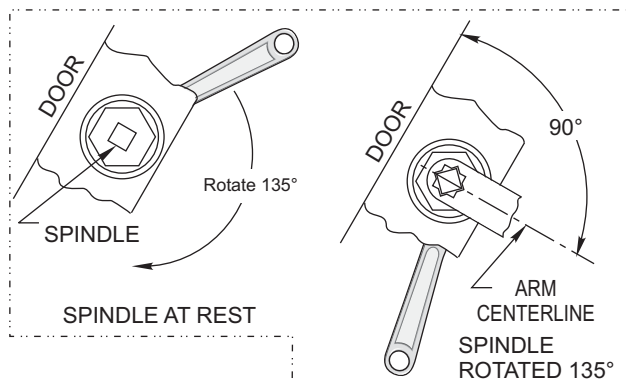
5. Mount Arm to Door Frame



6. Connect Arm To Closer

Using hex wrench provided, close (turn clockwise) CLOSING SPEED VALVE (see page 4 for location on closer). **DO NOT OVER TIGHTEN.**

- Open door to approximately 60°
- Using wrench on underside of spindle, rotate spindle approximately 135° toward hinge edge of door.
- Install arm on spindle at an approximate 90° angle to door.
- Reopen CLOSING SPEED VALVE.
- Install and tighten arm washer and screw.



ALL ANGLES SHOWN ARE APPROXIMATE

**Corbin
Russwin**®

ASSA ABLOY

80-9360-6001-152 Rev. 07/08

ASSA ABLOY, the global leader in door opening solutions

Spring Power Adjustment

Locate spring power adjuster from Illustration below

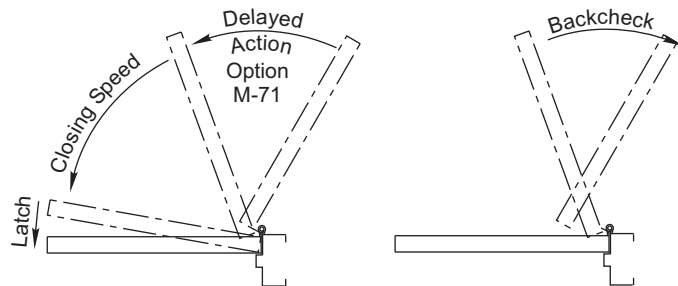
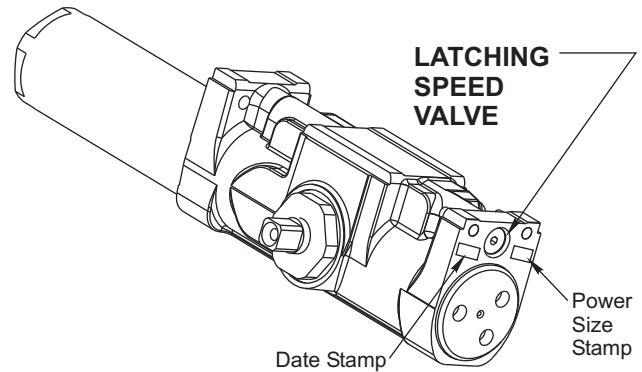
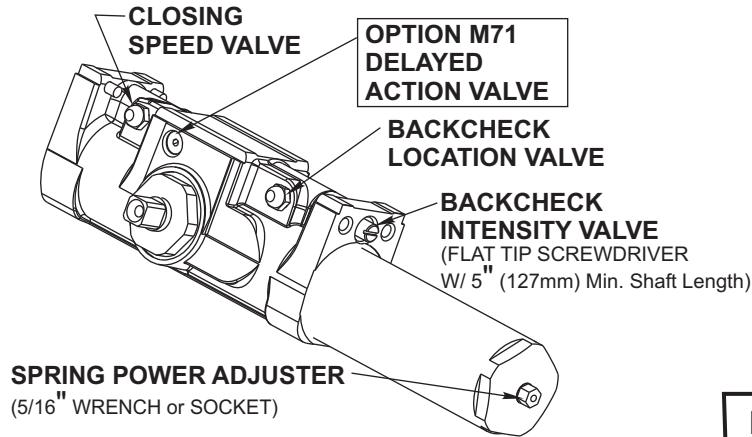
DC6400 Half Size Adjustment as Desired

DC6200 Size 1 thru 6 Adjustment See Chart

| Interior | Size of Door | | No. of Full (360°) Turns Clockwise of Power Adjuster | Equivalent Closer Size (Approx.) |
|--------------|-------------------|--------------------|--|----------------------------------|
| | Exterior In Swing | Exterior Out Swing | | |
| 2' 4" (712) | 2' 6" (764) | | 4 | 2 |
| 2' 6" (764) | 3' 0" (915) | | 8 | 3 |
| 3' 0" (915) | 3' 6" (1067) | 2' 6" (764) | 12 | 4 |
| 3' 6" (1067) | 4' 0" (1219) | 3' 0" (915) | 16 | 5 |

DC6200 SPRING POWER ADJUSTMENT CHART

- All DC6200 closers are factory set at an approximate **Size 3**.
- Adjust closer as necessary for door size using this chart.
- Readjustment may be required to suit prevailing conditions.



Backcheck Location Valve (3/32 Allen Wrench Provided)

Valve is closed, as shipped, from factory. To increase the degree of door opening where backcheck takes effect, turn valve counter-clockwise.

| VALVE | OCCURS AT |
|--------|-----------|
| CLOSED | 65°-70° |
| OPEN | 95°-100° |

Degrees shown are approximate

Backcheck Intensity Valve

Turn valve COUNTER-CLOCKWISE to reduce backcheck or CLOCKWISE to increase backcheck. (Backcheck should be set to give a soft cushioning action, not a sudden stop).

Closing Speed Valve (3/32 Allen Wrench Provided)

To adjust speed of door closing from fully open to a position 2" to 5" from closed, turn Closing Speed Valve CLOCKWISE to SLOW closing, COUNTER-CLOCKWISE to SPEED closing.

Latching Speed Valve (3/32 Allen Wrench Provided)

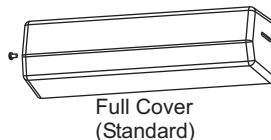
After closing speed has been obtained, turn latching speed valve CLOCKWISE to SLOW latching or COUNTER-CLOCKWISE to SPEED latching for last 2" to 5" of door travel.

NOTE: Set combination of CLOSING and LATCHING speeds to between 3 and 7 seconds. Use of door by handicapped, elderly or small children may require even greater closing time.

Delayed Action Valve (3/32 Allen Wrench Provided)

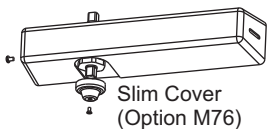
Turn valve CLOCKWISE to SLOW closing, COUNTER-CLOCKWISE to SPEED closing. Delayed action may be adjusted from 20 seconds to 90 seconds, depending on degree of door swing. Delay occurs at the beginning of the door closing cycle from fully open down to 70°, where the closing speed valve then begins its control.

Installing Cover



Full Cover (Standard)

Slip cover over closer. Hold tightly against closer mounting surface. Secure on each side with 6-32 x 1/4" PBHMS screws.

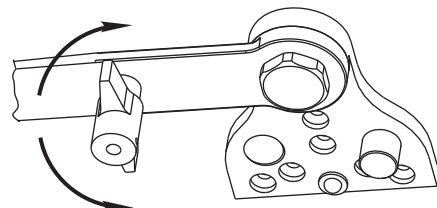


Slim Cover (Option M76)

Slim Cover Option M76 only. Position spindle cap over unused spindle and secure with 10-32 x 3/8 PTHMS screw.

Hold Open Operation (A2 and A5 Arms only)

A quarter turn of the tee handle in either direction engages or disengages the hold open feature.



**Corbin
Russwin**

ASSA ABLOY

80-9360-6001-152 Rev. 07/08

Copyright© 2005, 2008 Corbin Russwin, Inc., an ASSA ABLOY Group company. All rights reserved. Reproduction in whole or in part without the express written permission of Corbin Russwin, Inc. is prohibited.

ASSA ABLOY, the global leader in door opening solutions