

INSTALLATION INSTRUCTIONS

268 Security Concealed Door Closer with CSP (Consealed Security Package)

SARGENT®

ASSA ABLOY

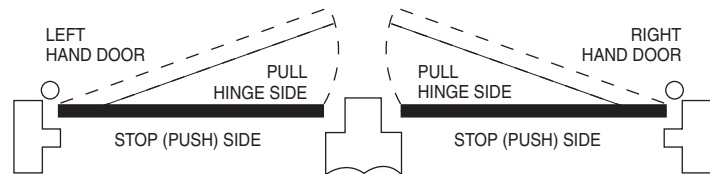
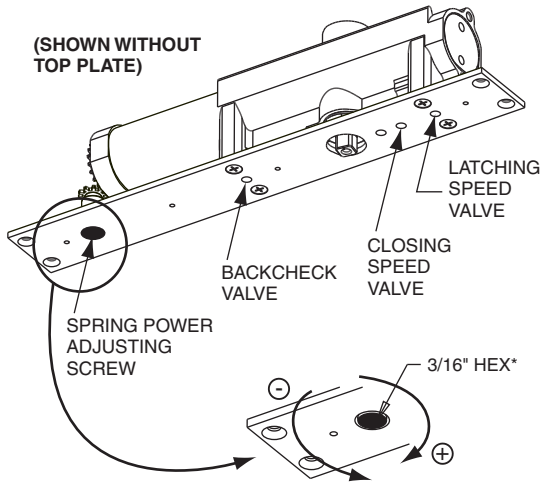
268 NON SIZED ADJUSTABLE FROM SIZES 2 THRU 5

SPRING ADJUSTMENT

ADJUST SPRING POWER ACCORDING TO CHART. USE CHART AS GUIDE ONLY

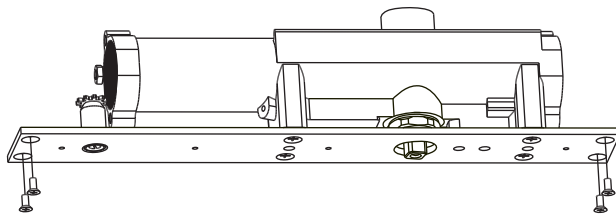
DOOR WIDTH (INCHES)	APPROXIMATE DOOR WEIGHT (POUNDS)	NUMBER OF TURNS OF SPRING ADJUSTING NUT
30	110	FACTORY SET
32	115	
36	130	
40	150	5-10 CW
42	155	
44	165	
46	170	14-24 CW
48	180	

*ONLY OPEN DOOR A FEW INCHES WHILE ADJUSTING.

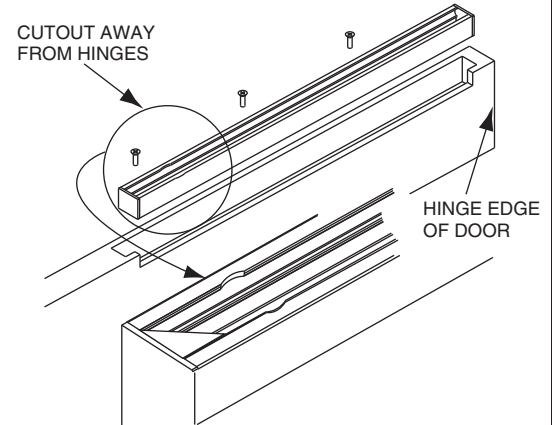


A USE DATA SHEET PROVIDED AND PREPARE MORTISE IN FRAME AND DOOR.

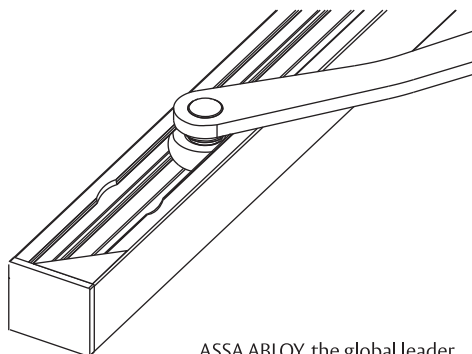
B INSTALL CLOSER INTO PREPARED FRAME WITH SPRING ADJUSTMENT AWAY FROM HINGE WITH SCREWS PROVIDED.



C INSTALL TRACK IN DOOR AS SHOWN USING TAMPER PROOF SECURITY SCREWS PROVIDED.



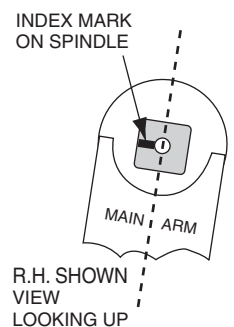
D INSERT ARM ROLLER INTO TRACK THRU CUTOUT AND TEMPORARILY LET ARM LAY ON A TRACK.



ASSA ABLOY, the global leader in door opening solutions

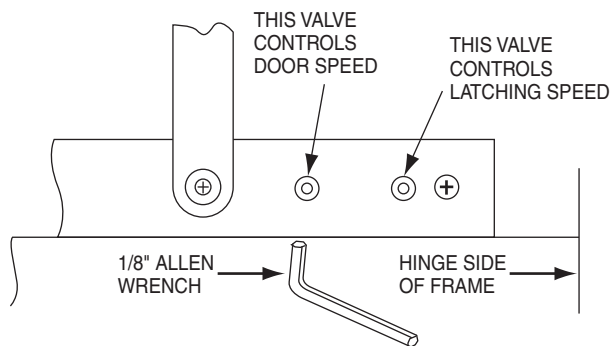
E ASSEMBLY OF ARM TO DOOR CLOSER SPINDLE

1. USING 1/8" ALLEN WRENCH, TURN LATCHING SPEED AND DOOR CLOSING SPEED VALVES (SEE FIGURE 1) CLOCKWISE UNTIL THEY STOP. DO NOT FORCE VALVES.
2. USING ADJUSTABLE WRENCH, ROTATE DOOR CLOSER SPINDLE (SEE FIGURE 1) 90° CLOCKWISE FOR LEFT HAND DOOR AND COUNTER CLOCKWISE FOR RIGHT HAND DOOR.
3. OPEN DOOR 50° APPROXIMATELY WITH THE DOOR CLOSER SPINDLE NOW STATIONARY, MOVE THE END OF THE ARM TO THE SPINDLE END UNTIL SQUARE HOLE IN THE ARM LINES UP WITH THE SPINDLE END SQUARE (AS SHOWN). PUSH ARM UP INTO POSITION ON THE SPINDLE AND SECURE WITH SECURITY SCREW AND WASHER.
4. RETURN LATCHING AND DOOR SPEED VALVES TO NORMAL POSITION



E REGULATING DOOR SPEED AND LATCHING SPEED

USE 1/8" ALLEN WRENCH AND TURN VALVES CLOCKWISE TO SLOW DOWN OR COUNTER CLOCKWISE TO SPEED UP DOOR MOVEMENT.



F REGULATING BACKCHECK

THE INTENSITY OF BACKCHECK ACTION IS REGULATED BY A VALVE. TURN CLOCKWISE TO INCREASE OR COUNTER CLOCKWISE TO DECREASE CHECKING.

CAUTION: SET VALVE FOR A SLIGHT CUSHIONING EFFECT IT IS DAMAGING TO CLOSER IF THE CHECKING ACTION IS TOO ABRUPT. BACKCHECK SHOULD NEVER BE USED IN LIEU OF A DOOR STOP.

