

351 Door Closers with PS/PSH Arms Installation Instructions

SARGENT

ASSA ABLOY

351 SERIES ADJUSTABLE FROM SIZE 1 THRU 6

CAUTION: FAILURE TO INSTALL OR ADJUST PROPERLY MAY RESULT IN INJURY OR DAMAGE

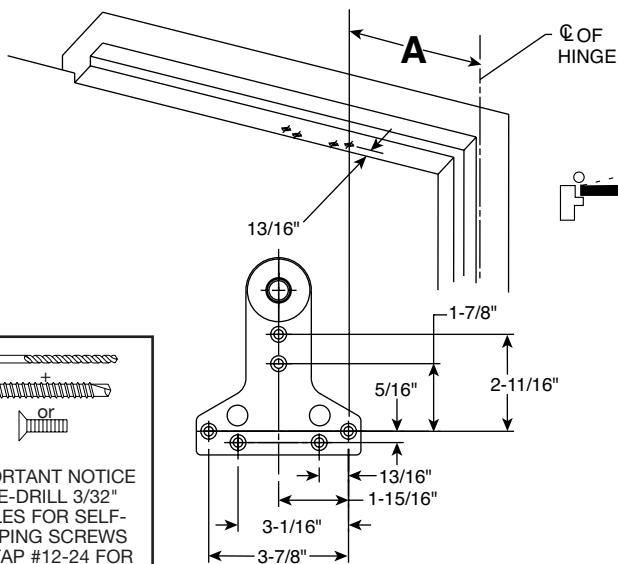
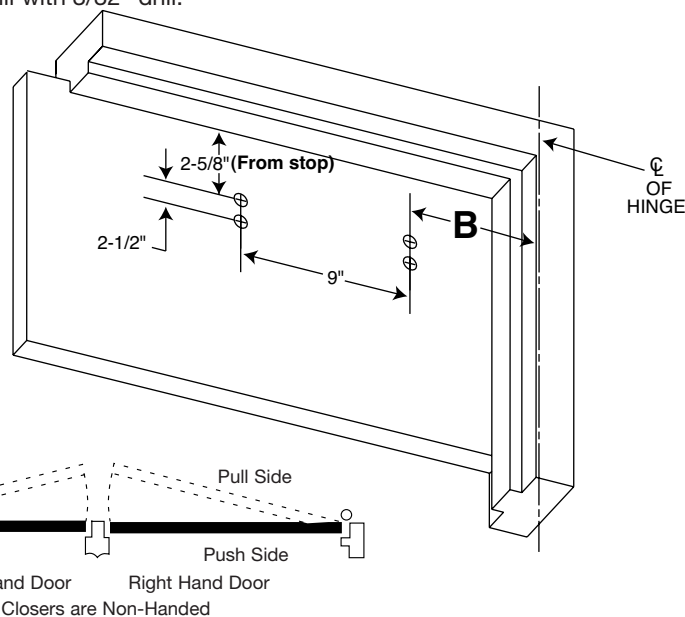
For assistance, contact SARGENT at 800-727-5477 or www.sargentlock.com

1 Determine maximum degree of door opening or hold open (PSH) required. Drill and tap door and frame for #12-24 machine screws. When using self-tapping screws provided, predrill with 3/32" drill.

DEGREE OF DOOR OPENING AT "HOLD OPEN" ■						
	85°	90°	95°	100°	105°	110°
DIM. "A"	10-9/16"	9-7/8"	9-3/16"	8-5/8"	8-1/8"	7-5/8"
DIM. "B"	11-5/16"	10-5/8"	9-15/16"	9-3/8"	8-7/8"	8-3/8"

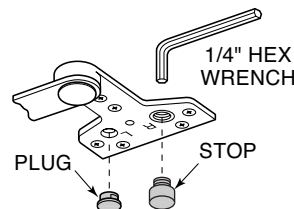
■ Dimensions for given degree based on 4-1/2" butts. If 3-1/2" or 6" hinge is used, hold open angle will change by less than 1/2°.

Dead stop occurs 3° beyond hold open.



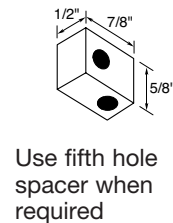
IMPORTANT NOTICE
PRE-DRILL 3/32" HOLES FOR SELF-TAPPING SCREWS OR TAP #12-24 FOR MACHINE SCREWS

3A Install stop with 1/4" hex wrench to match hand of door. Turn stop counterclockwise until seated very tight.



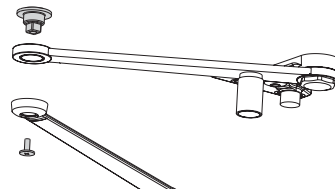
3B Mount foot bracket to door stop.

PSH arm shown
PS similar

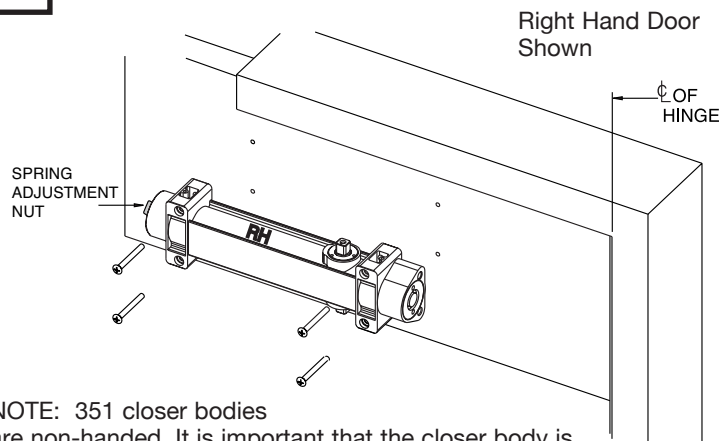


IMPORTANT: USE A MINIMUM OF 5 SCREWS.

3C Alternate: Pre-assemble arm prior to attaching to stop.



2 Install door closer to door with spring adjustment nut away from hinge.



NOTE: 351 closer bodies are non-handed. It is important that the closer body is installed with "RH" symbol at top for right hand doors, "LH" symbol at top for left hand doors.

Copyright © SARGENT Manufacturing. All rights reserved. Reproduction in whole or in part without the express written permission of SARGENT Manufacturing is prohibited.

ASSA ABLOY, the global leader in door opening solutions

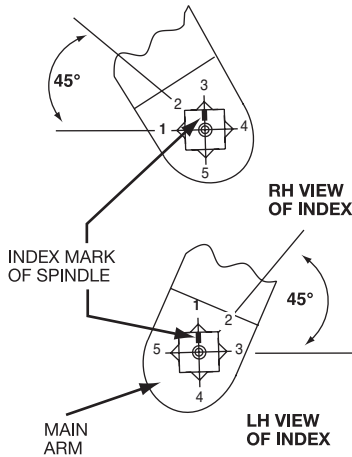
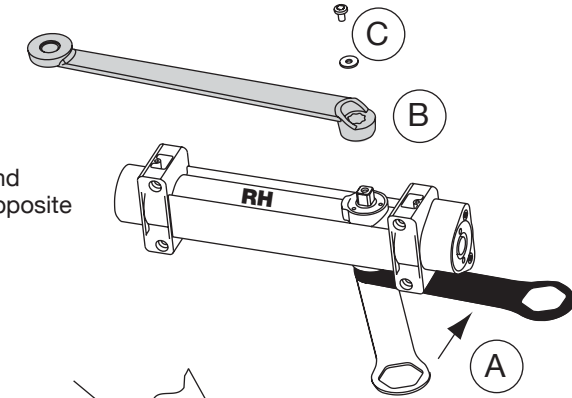
A7343G

1

4

- * A. Rotate bottom spindle 45° with wrench
- B. Assemble main arm with index mark positioned as shown
- C. Secure with screw and washer

Left Hand Door Opposite

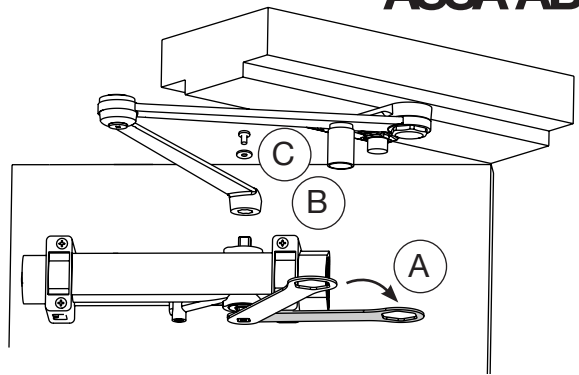


!! * WARNING: IF NOT PROPERLY INDEXED, DOOR CLOSER WILL NOT FUNCTION PROPERLY !!

4A

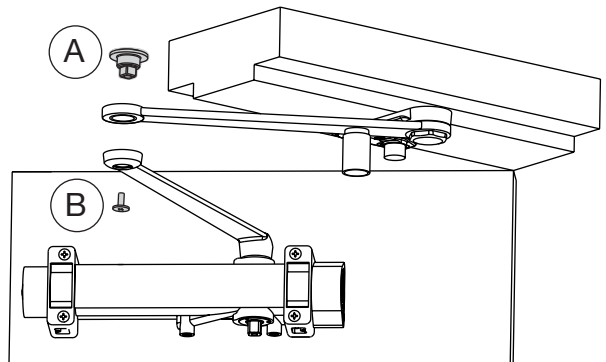
Alternate Method:
Attach pre-assembled arm

SARGENT
ASSA ABLOY



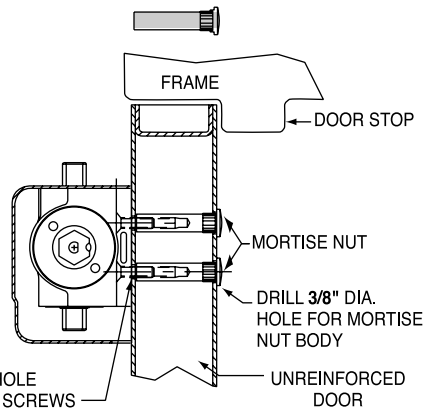
5

- A. Open door and install pivot as shown
- B. Use screw to secure pivot and arms



Accessories

OPTIONAL: Use mortise nuts (#4TB) when through-bolting is required

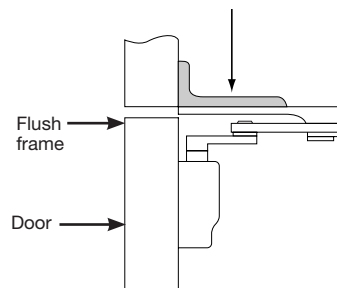


See Page 1 for Templating Dimensions

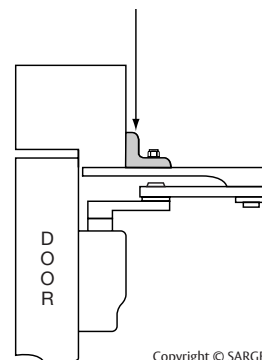
DRILL 1/4" DIA. HOLE FOR MOUNTING SCREWS

UNREINFORCED DOOR

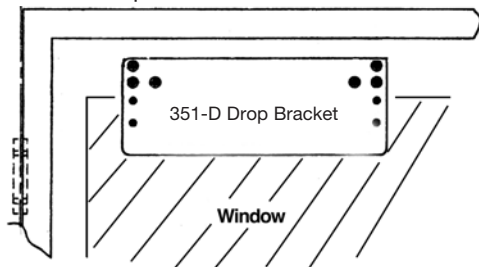
125 VF Bracket for flush frame and door condition



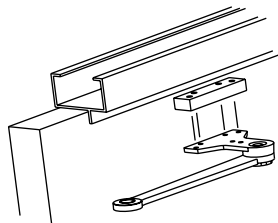
125 V Bracket for narrow frame condition



351-D Drop Bracket
Used with narrow top rails



581-2 Spacer
Used with blade stops



2

A7343G ASSA ABLOY, the global leader in door opening solutions

Copyright © SARGENT Manufacturing. All rights reserved. Reproduction in whole or in part without the express written permission of SARGENT Manufacturing is prohibited.

Final Adjustment and Regulating Procedures

SARGENT

ASSA ABLOY

- 6** Minimum recommended door closing time is 6 seconds for doors opened to 90 degrees. Use 1/8" Hex (Allen) wrench to adjust valves as needed.*

Closing and latching speeds:

Turn valves clockwise to slow down or counterclockwise to speed up door movement.

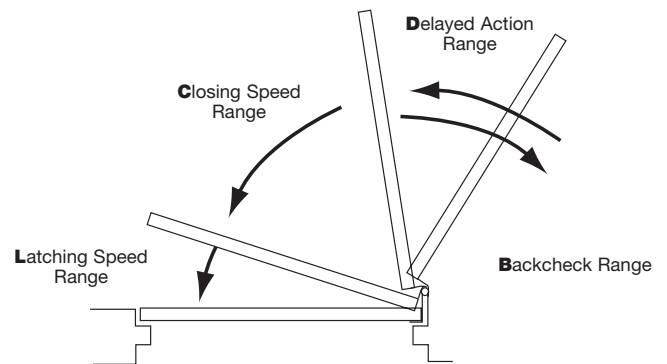
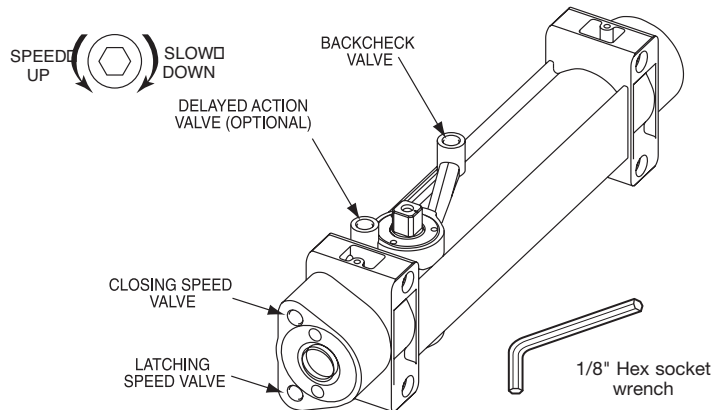
Backcheck:

To regulate the intensity of backcheck action turn valve clockwise to increase or counterclockwise to decrease checking.

CAUTION: SET VALVE FOR SLIGHT CUSHIONING EFFECT. CLOSER CAN BE DAMAGED IF THE CHECKING ACTION IS TOO ABRUPT. NEVER USE THE BACKCHECK AS A DOOR STOP. ALWAYS USE A DOOR STOP TO STOP THE DOOR.

Delayed Action Feature (optional feature on some models):

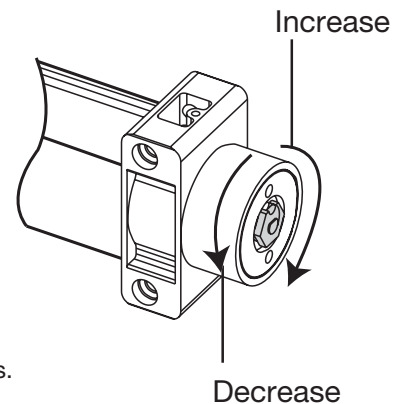
"Delayed Action" provides slow door closing through the delayed action range. Turn valve clockwise to slow down or counterclockwise to speed up door movement.



* If adjustments are ineffective, check indexing from step 4.

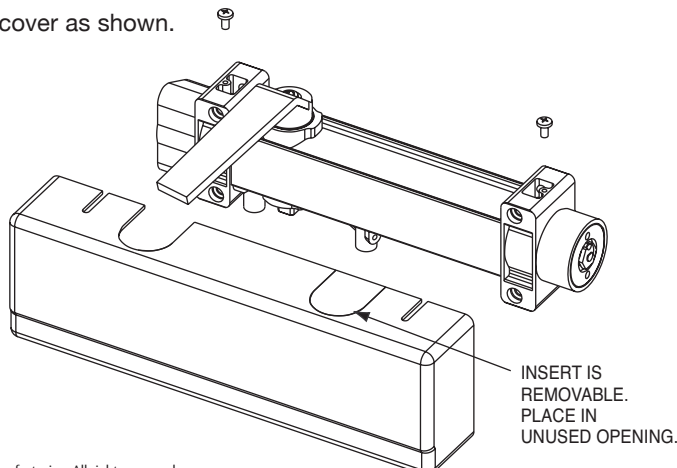
- 7** Adjust power to allow door to close and latch.

NUMBER OF TURNS OF SPRING POWER ADJUSTING NUT		
DOOR WIDTH (INCHES)	EXTERIOR DOORS	INTERIOR DOORS
24-30	TURN nut 1-3 ↙	TURN nut 1-3 ↙
30-36	FACTORY SET	FACTORY SET
36-42	TURN nut 1-4 ↘	TURN nut 1-3 ↘
42-48	TURN nut 7-9 ↘	TURN nut 4-6 ↘

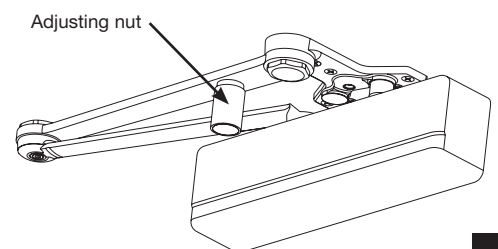


Adjusting door to close due to high draft conditions may exceed ADA standards. Consult local ordinances when fire doors are involved.

- 8** Install cover as shown.

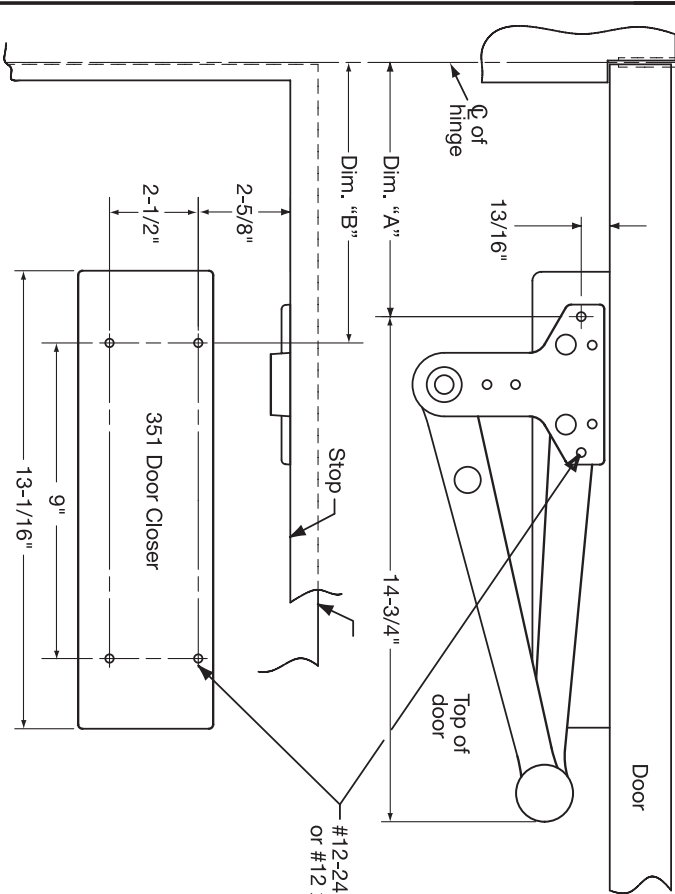


- 9** To adjust holder arm (PSH only)
All PSH arms are set in hold open at the factory. To inactivate, turn the adjusting nut approximately 1-1/2 turns counter-clockwise.

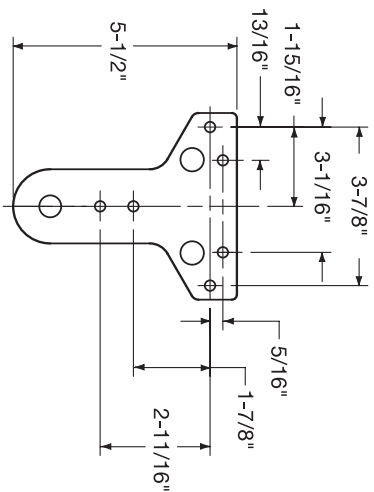


DEGREE OF DOOR OPENING AT "HOLD OPEN"						
	85°	90°	95°	100°	105°	110°
Dim. "A"	10-9/16"	9-7/8"	9-3/16"	8-5/8"	8-1/8"	7-5/8"
Dim. "B"	11-5/16"	10-5/8"	9-15/16"	9-3/8"	8-7/8"	8-3/8"

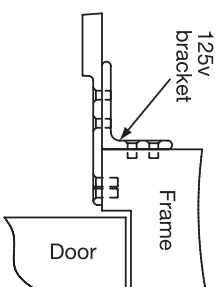
Offset pivots, butt, continuous or swing clear hinges



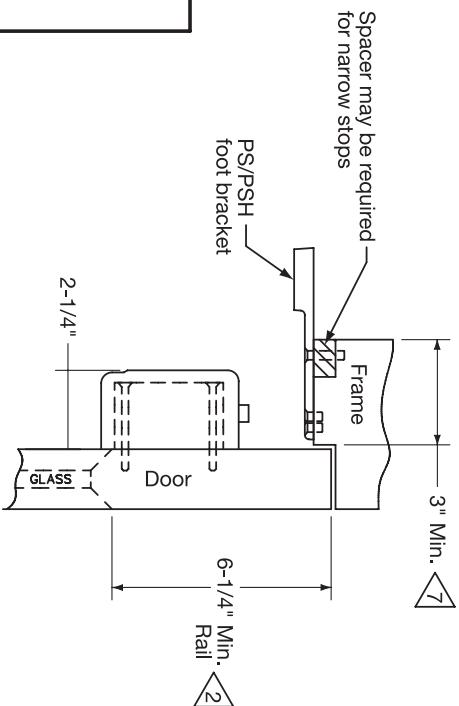
#12-24 x 2-1/4" flat head machine screws or #12 x 3-1/4" screws provided



PS/PSH FOOT BRACKET DETAIL



NARROW FRAME INSTALLATION
Use 125 VF bracket (not shown for flush frame conditions)



- NOTES:**
1. Reinforce metal doors and frames per ANSI A250-8 and SDI-100 Standards, 12 gauge recommended
 2. For thin rail doors, use 351-D plate. See data sheet A6745
 3. Left hand door shown. Right hand opposite
 4. Dimensions "A" and "B" are based on a 4-1/2" butt hinge. If a 3-1/2" or 6" butt hinge is used, the hold open angle will change by less than 1/2°
 5. Dead stop occurs approximately 3° beyond hold open
 6. If door closer body interferes with light kit, use 351-B plate. See data sheet A6746 for plate dimensions only
 7. When soffit is less than 3" use 125V bracket

SARGENT® Manufacturing Company
100 Sargent Drive New Haven, CT 06511

DATA SHEET: 351 SERIES
DOOR CLOSERS WITH PS OR PSH
HEAVY DUTY PARALLEL ARM

Effective Date: Feb 04
Template No.: A7380 D