



B SERIES

Padlocks

STANLEY[®]
Security Solutions

TABLE OF CONTENTS

General Information.....	2	Accessories / Options (continued)	6-9
Patents.....	2	21BSH shroud option	7
11B Series	3	Cables.....	7
21B Series	4	Special stamps.....	8
41B Series	5	Frangible shackle option	8
Accessories / Options	6-9	Chain options.....	8
Car seal option	6	Lockout/Tagout	9
Weather cover option.....	6	Patented keying system.....	10
Double lockout "safety first" option.....	6	Repair and parts.....	11

GENERAL INFORMATION

At the heart of every Stanley/Best padlock is a standard key removable core that is interchangeable throughout most of the entire line of BEST® products. This standardization permits Stanley/BEST locks of any type, size or style to be masterkeyed into one system which can expand to include future locking needs.

All padlocks utilize the interchangeable core which allows immediate rekeying at minimal cost. Padlocks are available in various case sizes and brass or stainless steel shackle sizes (see chart below). Brass cases with brass shackles are also available. Options include key retained / non-key retained, bronze or steel chains, special case embossing (Brass case only), corrosion resistance, car seal. See pages 6-9 for a complete list of options available.

PATENTS

Products protected by one or more of the following patents:

3,603,123	4,075,878	3,882,699	3,850,014
3,652,114	3,728,879	3,605,458	4,244,093
4,386,510	4,424,693	4,444,034	4,655,063
D290,085	5,590,555	5,794,472	



Specifications

Case – Machined from solid extruded brass.

Standard finish is 626 satin chromium plated.

Width – 1 5/8"

Length – 2 1/16"

Thickness – 25/32"

Shackle – The shackle locks at both heel and toe.

The length of shackle opening is measured from top of case to inside of shackle when padlock is locked.

Material – Brass or stainless steel

Diameter – 1/4"

Width of opening – 7/8"

ASTM F883 – Meets Grade 3 with stainless steel shackle.

ASTM F883 – Meets Grade 6 for option E. (Corrosion resistance).



11B Padlock



11B72 Actual Size

11B722 Actual Size

11B772 Actual Size

11B782 Actual Size

11B – HOW TO ORDER

11B	7	2	T	626		
Series	Core Housing	Shackle Height	Function Code	Chain Option	Special Stamp No.	Options
11B – brass 1/4" diameter	7 – 7 pin housing accepts all BEST® cores	Steel 2 – 3/4" 22 – 1 1/2" 72 – 2" 82 – 4" Brass 0 – 3/4" 20 – 1 1/2" 70 – 2" 80 – 4"	T – key retained L – non-key retained	M – case drilled for clevis only M1* – bronze chain (available for brass padlocks only) M5* – galvanized steel chain (page 8)	Blank – BEST® logo PS1010 – safety first Specify padlock stamp number or describe stamp. Price for special stamps on request. (page 8)	F3 – frangible shackle (11B720 only) 606 – satin brass ZZ – double lockout (page 8)

21B SERIES

Specifications

Case – Machined from solid extruded brass.
Standard finish is 626 satin chromium plated.

Width – 1 ²⁵/₃₂"

Length – 2 ¹/₁₆"

Thickness – ¹³/₁₆"

Shackle – The shackle locks at both heel and toe. The length of shackle opening is measured from top of case to inside of shackle when padlock is locked.

Material – Stainless steel

Diameter – ⁵/₁₆"

Width of opening – ⁷/₈"

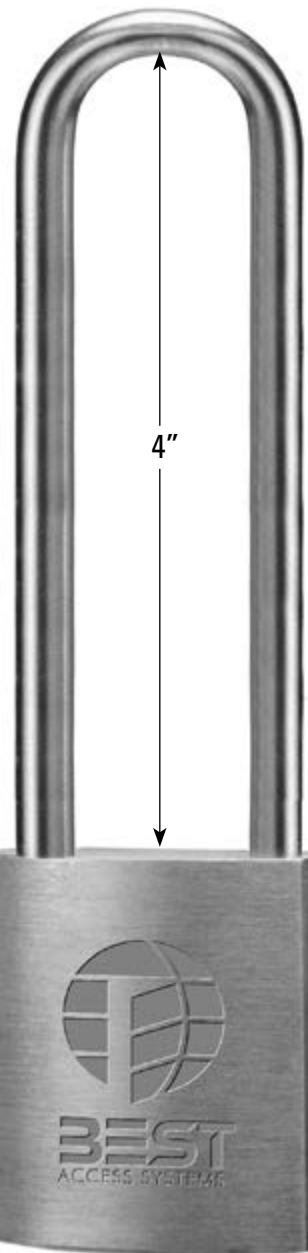
ASTM F883 – Meets Grade 4 with stainless steel shackle.

ASTM F883 – Meets Grade 6 for shackle cutting force with XSPL shackle option.

ASTM F883 – Meets Grade 6 for option E. (Corrosion resistance).



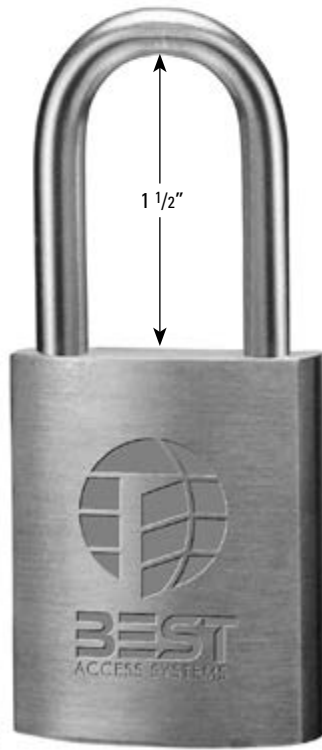
21B Padlock



21B782 Actual Size



21B772 Actual Size



21B722 Actual Size



21B72 Actual Size

21B – HOW TO ORDER

21B	7	2	T			
Series	Core Housing	Shackle Height	Function Code	Chain Option	Special Stamp No.	Options
21B – brass ⁵ / ₁₆ " dia.	7 – 7 pin housing accepts all BEST® cores	Steel 2 – ³ / ₄ " 21 – 1" w/shroud 22 – 1 ¹ / ₂ " 72 – 2" 82 – 4" Brass 0 – ³ / ₄ " 20 – 1 ¹ / ₂ " 70 – 2" 80 – 4"	T – key retained L – non-key retained	M – case drilled for clevis only M1 – bronze chain M5 – galvanize steel chain with grey polycoating	Blank – BEST® logo PS1010 – safety first Specify padlock stamp number or describe stamp. Price for special stamps on request.	606 – satin brass SH – shrouded with cut resistant shackle WC – weather cover XSPL – cut resistant shackle
				(page 8)	(page 8)	(page 6–9)

SPECIFICATIONS

Case – Machined from solid extruded brass.
 Standard finish is 626 satin chromium plated.
Width – 1 15/16"
Length – 2 1/16"
Thickness – 7/8"

Shackle – The shackle locks at both heel and toe.
 The length of shackle opening is measured from top of case to inside of shackle when padlock is locked.

Material – Stainless steel
Diameter – 3/8"
Width of opening – 7/8"

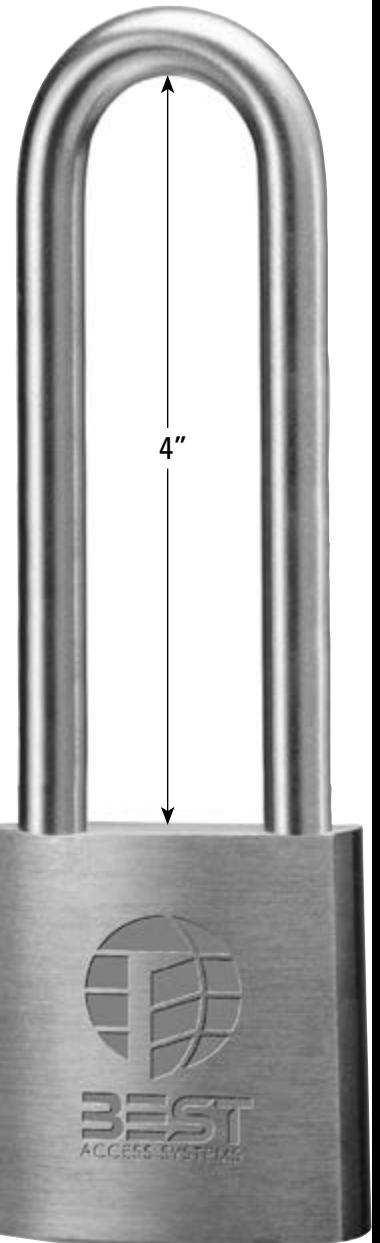
ASTM F883 – Meets Grade 3 with stainless steel shackle, grade 4 with XSPL shackle.

ASTM F883 – Meets Grade 6 for option E. (Corrosion resistance).

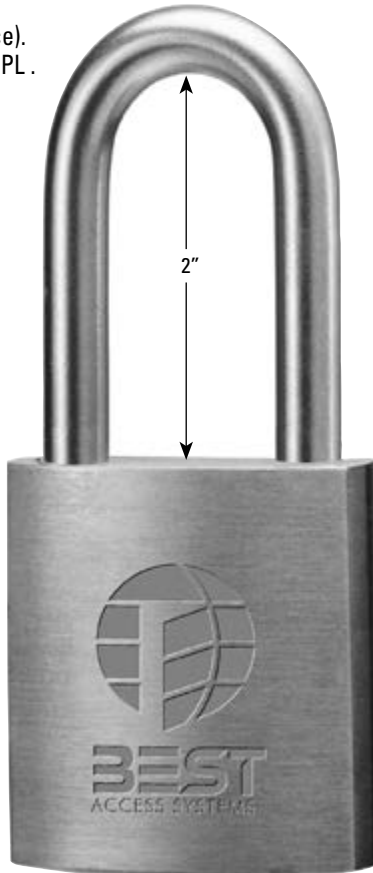
ASTM F883 – Meets Grade 6 for shackle cutting force with XSPL shackle option



41B Padlock



41B782 Actual Size



41B772 Actual Size



41B722 Actual Size



41B72 Actual Size

41B HOW TO ORDER

41B	7	2	T			
Series	Core Housing	Shackle Height	Function Code	Chain Option	Special Stamp No.	Options
41B – brass 3/8" diameter	7 – 7 pin housing all BEST® cores	Steel 2 – 3/4" 22 – 1 1/2" 72 – 2" 82 – 4" Brass 0 – 3/4" 20 – 1 1/2" 70 – 2" 80 – 4"	T – key retained L – non-key retained	M – case drilled for chain M1 – bronze chain M5 – galvanize steel chain with gray polycoating	Blank – BEST® logo Specify padlock stamp number or describe stamp. Price for special stamps on request.	606 – satin brass S – car seal slot WC – weather cover XSPL – cut resistant shackle
				(page 8)	(page 8)	(page 6-9)

O C K S



ACCESSORIES AND OPTIONS

S- Car Seal Option

Available in all 41B padlocks. Case is slotted below the core to accommodate most popular car seal bands. When in place, car seal band insures tampered with. Seals are available direct from car seal manufacturers. A special long blade key is required for 7-pin systems. When ordering simply add "S" to the option column of the 41B nomenclature.



41B car seal feature

WC- Weather Cover Option

Available in 21B/22B and 41B42B padlocks. The padlock weather covers are molded durable PVC that won't chip or corrode and resists acids, oils and abrasion. When ordering add "WC" to option column of the padlock nomenclature.



21B & 41B weather option

ZZ- Double Lockout/Safety First Option

Available in 11B only, the double lockout safety padlock provides additional safety for maintenance crews making repairs in widely separated areas. The shackles of 11B padlocks are passed through holes in the extended skirt at the base of this lock. As long as either 11B padlock remains in place, the lock-out safety padlock cannot be unlocked. Elliptical solid brass case is 1 1/2" wide and is stamped with words "Safety First" on one side. Holes at base of case will accommodate 11B shackles only. Minimum shackle opening should be 1 1/4". A long blade key is required for 7-pin systems. Dust cover cannot be used with double lockout.



11B double lockout option

21BSH— SHROUD OPTION

Features & Benefits

- Cast stainless steel shroud with black powder-coated finish
- Through hardened shackle for cut resistance
- Utilized same internal components and body as standard 21B padlock
- Accepts all BEST® cores, with Standard, Premium, Peaks™ keying system
- Meets ASTM F883 Grade 4; meets Grade 6 for cut resistance
- Available in either key retained or non-key retained



21B with Stainless Steel Shroud

21B SHROUD – HOW TO ORDER

21B	7	21	T			
Shackle Diameter	Core	Shackle Housing	Function Code	Chain Option	Special Stamp No.	Options
21B – 5/16" dia.	7 – 7 pin housing all BEST® cores	21 – 1" shackle opening	T – key retained L – non-key retained	N/A for shroud option	N/A for shroud option	SH – shroud with cut resistant shackle (21B only)

21JB— CABLE PADLOCK

Specifications

Case – Machined from extruded brass. Standard finish 626 satin chromium plated.

Width – 1 25/32"

Length – 2 1/16"

Thickness – 27/32"

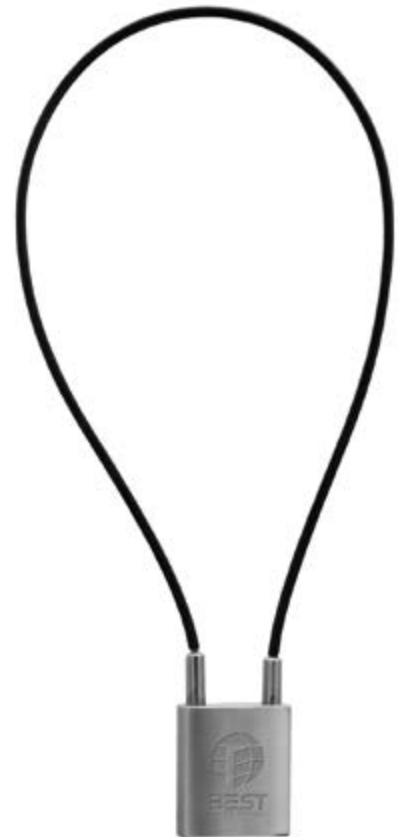
Shackle Cable:

Diameter 1/8" stainless steel. Length variable. 18" standard unless specified other length.

Cable jacket:

A tough plastic coating protects vulnerable surfaces. Measure cable length from top of case to top of case.

21JB SERIES



21JB7 - 18

21JB – HOW TO ORDER

21B	7	21	
Series Housing	Core Length	Cable	Options
21JB – cable padlock	7 – 7 pin housing all BEST® cores	18 – 18" 24 – 24" 36 – 36" 42 – 42" 54 – 54"	606 – clear coated satin brass

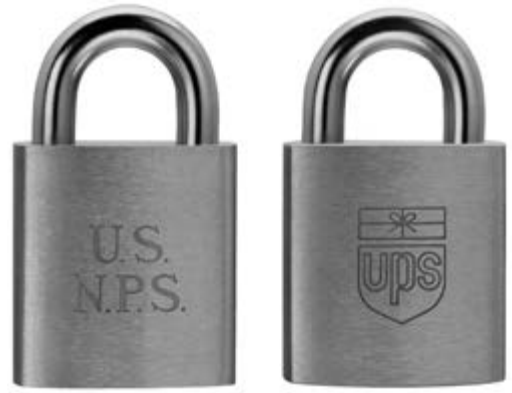
21 BSH SHROUD OPTION

21 JB SERIES

ACCESSORIES AND OPTIONS

Special Stamped Padlocks

Upon special request, and at no charge other than the initial cost of the die, Stanley/BEST padlocks may be die-stamped with the customer's identification as specified. If stamp has been previously ordered, specify stamp number. (Brass padlocks only.)



Samples of Padlock Stamping

F3- Option Frangible Shackle

Available in 11B series only. The frangible shackle padlock is designed for fire and safety equipment, cabinets, etc. where casual entry needs to be prevented. During emergency, the shackle may be snapped by a hard blow or strong, steady pressure permitting entry without use of a key. (Check lock regulations). A brass 1 1/2" – number 20 size shackle is made frangible through use of special break point. Broken shackles are easily replaced in the field and may be ordered separately. A complete frangible shackle kit (including three frangible shackles, three shackle springs and one padlock disassembly tool) may be ordered with each padlock order.

To order kit specify: 11BFK



Frangible Shackle Kit

M-Option Chains

Chains may be supplied with padlock. When ordering clevis and chains, add M1 or M5 to padlock nomenclature. Standard chain length is 9", special length chains available upon request.



**M1 – 9"
Bronze Chain**

**M5 – 9"
Galvanized Steel Chain with Gray
Plastic Polycoat Cover**

LOCKOUT / TAGOUT

OSHA requires that a Lockout/Tagout system be placed upon energy control devices to ensure that machines and equipment are isolated from all energy sources before employees perform service or maintenance activities. This is particularly necessary where the unexpected energization, start-up, or release of stored energy could cause injury or equipment damage. Stanley Security Solutions' Lockout/Tagout system includes six durable PVC vinyl coated BEST padlocks with Lockout/Tagout devices (11B/12B, 21B/22B, 41B/42B).

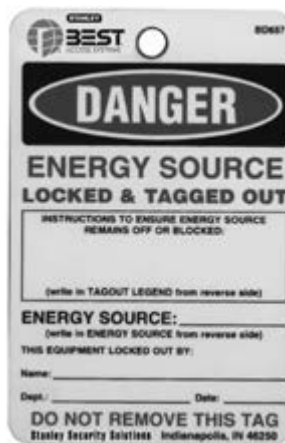
The OSHA vinyl coated padlocks will not chip or corrode. They also resist acids, oils or abrasions. Available is an OSHA accepted 6-padlock red polyresin coated aluminum lockout (BD655), and easy-to-read energy source identification tags. In addition to names of the workers, our tags can provide pertinent information, i.e. where the worker can be located. Details of OSHA Lockout/Tagout standard can be found in the code of Federal Regulations for labor at Title 29 part 1910.147, the control of hazardous energy Lockout/Tagout.



Lockout/Tagout Padlocks



Lockouts
BD655



Front
Identification Tag
BD657 (includes one tie per tag)
Tagout Tag
BD658 (includes one tie per tag)



Back
Identification Tag

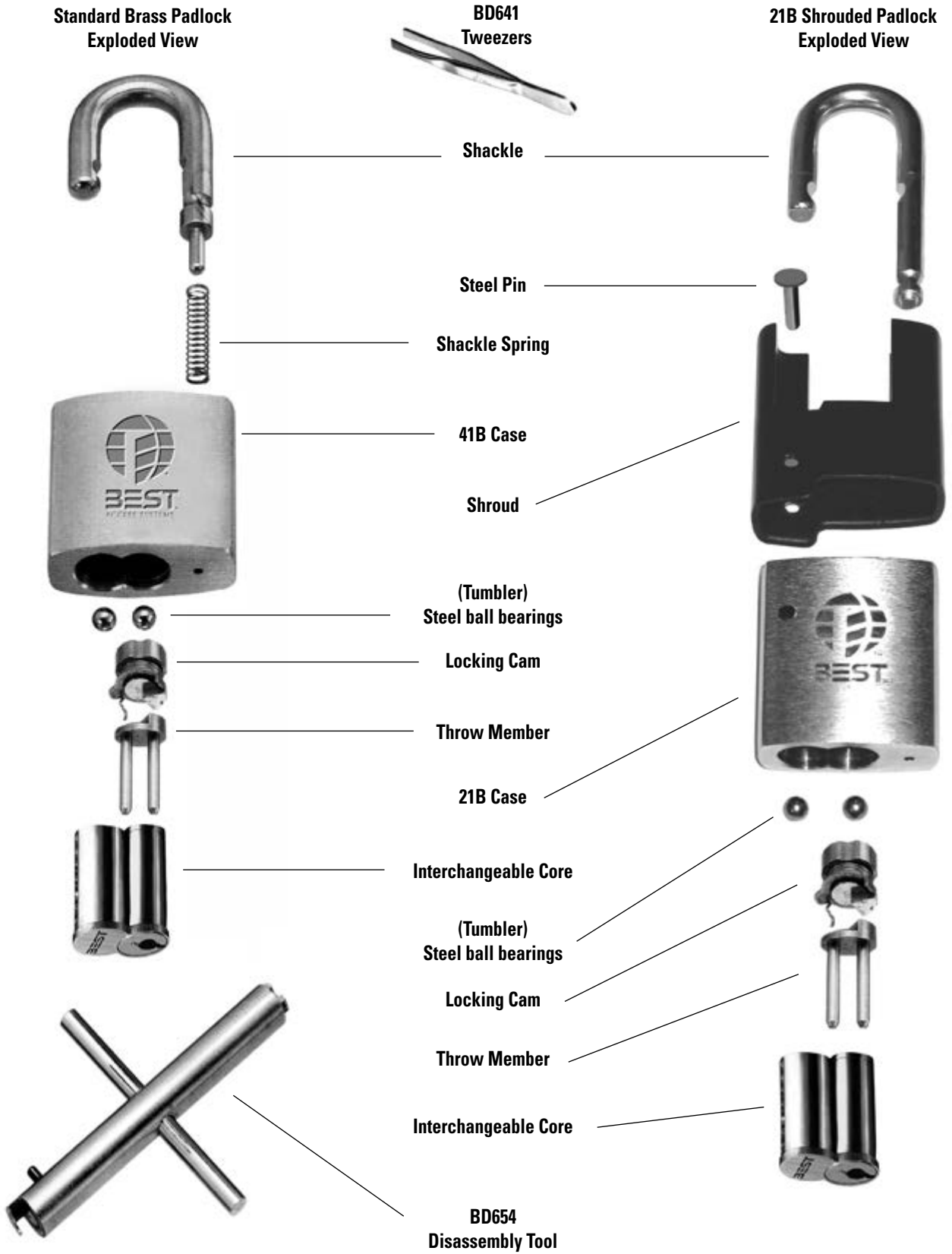
LOCKOUT/TAGOUT PADLOCKS – HOW TO ORDER

11B	7	2	T			O/ORA
Padlock Series	Core Housing	Shackle Height	Function Code	Chain	Special Stamp No.	Options
11B – ¼" 21B – ⅜" 41B – ⅝"	7 – 7 pin housing all BEST® cores				For specific order procedures and complete specifications, see pages 3 through 7	O/RED – Red O/YEL – Yellow O/BLU – Blue O/BLA – Black O/ORA – Orange O/GRE – Green

PADLOCK REPAIR AND PARTS

11B – 21B – 41B Series

With the simplest of tools, proper replacement parts and minimal training, all Stanley/Best padlocks can be used for the duration of any installation. Listed below are the parts and tools required for the various series of padlocks. Contact your local Stanley Security Solutions office for special instruction and information about factory seminars for padlock repair. Stanley/Best padlocks can be repaired and worn parts replaced, virtually eliminating padlock replacement costs.



CORMAX™ PATENTED KEYING SYSTEM

BEST® CORMAX™ is the premier patented keying system offered by Stanley Security Solutions. CORMAX will meet your needs for security, key control, and convenience. A simple solution with no compromising allowed.

CORMAX is the upgrade path for existing BEST Standard, Premium, and MX8 customers; and it is an essential element of non-residential access control as security administrators strive to eliminate the unauthorized duplication of keys.

CORMAX offers the following features and benefits:

- A long-term US utility patent that guarantees the extended useful life of the system through 2027.
- A second, independent locking mechanism that utilizes a patented set of built-in side pins to provide higher security.
- Several levels of geographical exclusivity, including national exclusivity, are available via the patented side pin feature.
- CORMAX cores and keys are available exclusively through Stanley sales offices. Key blanks are only sold to individuals authorized by the customer to ensure key blanks do not end up in the possession of unauthorized personnel either inside or outside the customer's facility.
- CORMAX cores are certified to meet the security, safety, and reliability requirements of BHMA A156.5 Grade 1.
- Picking and drilling resistance options are available if higher levels of security are desired.
- Complete factory masterkeying service offered, and at no charge with purchase of BEST locksets and PHI exit devices.
- Keyways are organized in families of four keyways each, with double-milled and quad-milled key levels to facilitate the design of masterkey systems in multi-building campuses.
- BEST CORMAX cores are compatible with all existing BEST interchangeable core housings, eliminating the need for new or modified locksets.



CORMAX™
Patented Keying System



Stanley Security Solutions, a business division of Stanley Black & Decker, is a provider of integrated access control and security solutions for institutional, commercial and industrial businesses and organizations. Stanley Security Solutions delivers a comprehensive suite of security products, software and integrated systems with a strong emphasis on service. Stanley Security Solutions is committed to extending its position as a leading comprehensive resource for a broad and extensive array of solutions that span the entire security spectrum.