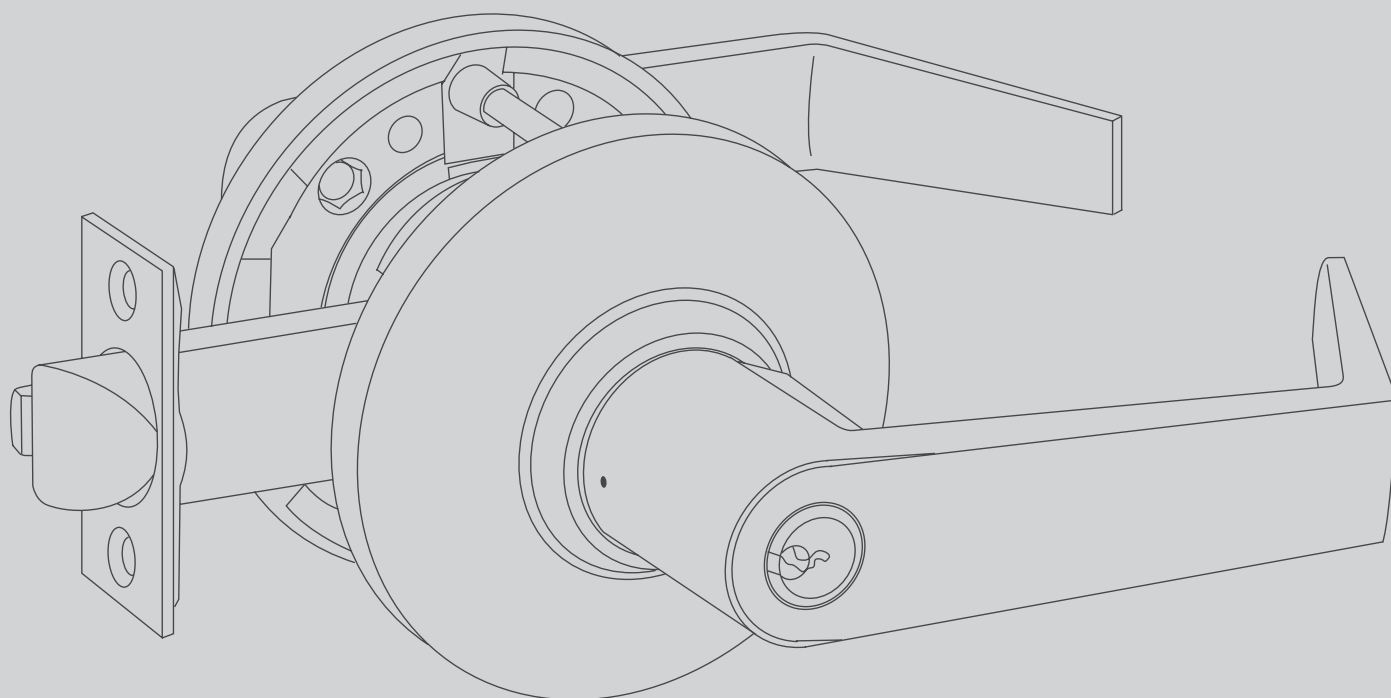


CL3300 Series

Cylindrical Lockset Parts Manual



Mechanical Drawing 3
 Chassis & Buttons 4
 Spring Housing Assemblies 5
 Roses/Liners and Misc 6
 Latches 7
 Strikes 8
 Standard Levers and Components 9
 Cylinders 10
 Installation Instructions 11
 Door Manufacturers Template 15
 BPS Power Supply 16
 ElectroLynx® Connector System 17

How to Order Parts

1. In order to simplify the ordering procedure and maintain regulatory compliance, parts are only available as listed
2. To order parts, provide the appropriate quantity, part number, finish, hand (when required) and description as directed and illustrated below.

For example, use the following configuration to order:

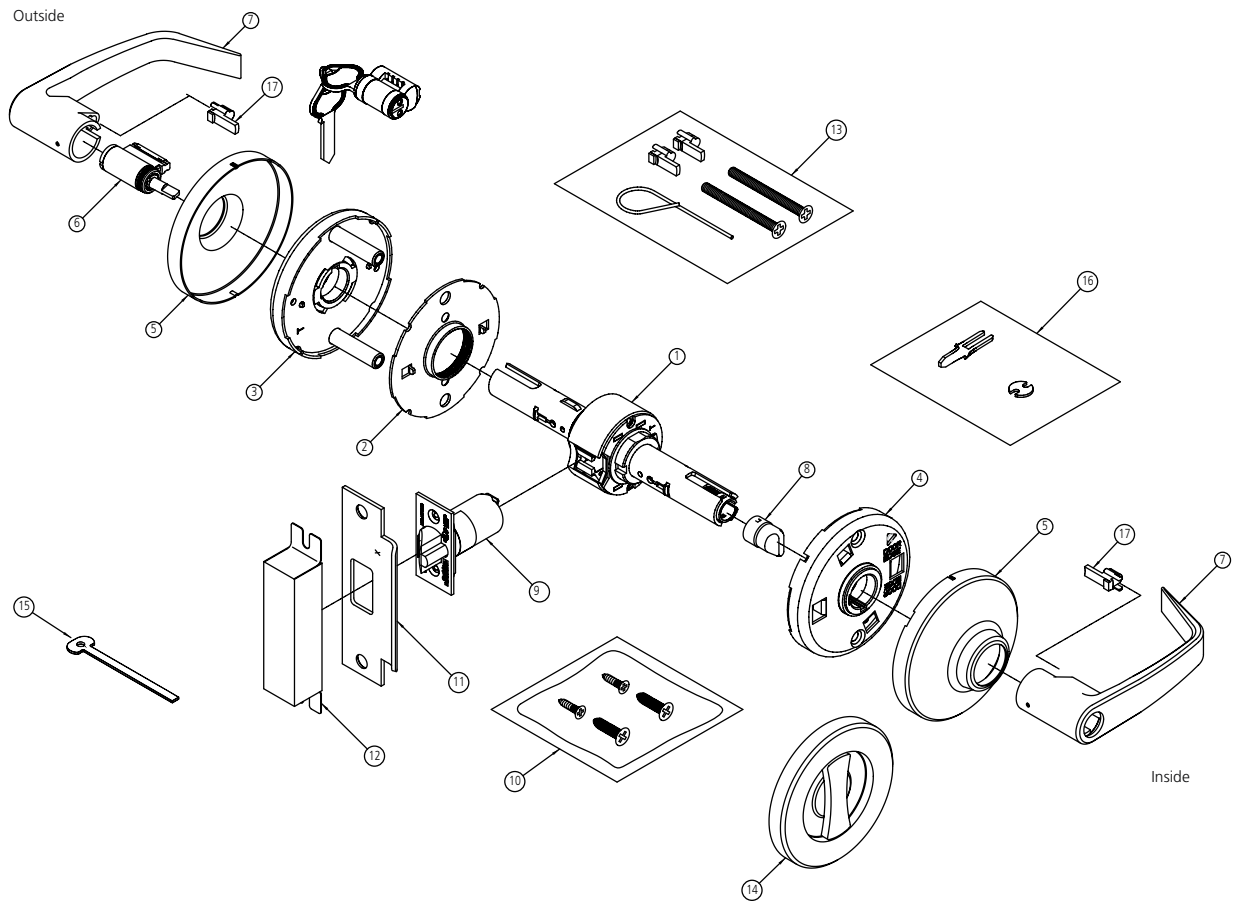
- A) ten chassis in satin chrome
- B) one outside spring housing assembly in bright brass

	Quantity	Part Number	Finish	Hand	Description
A	10	785F008	626	—	Passage Function Chassis
B	1	783F208	605	—	Outside Spring Housing Assembly

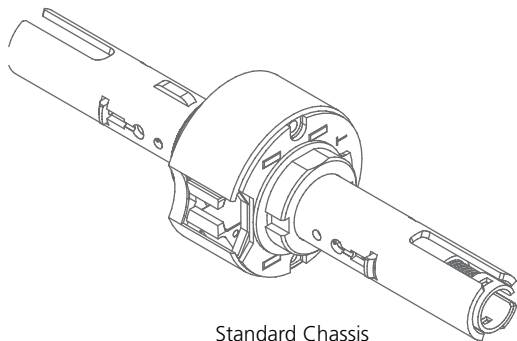
For assistance, contact your authorized Corbin Russwin distributor, sales agency or visit our website at www.corbinrusswin.com.

Finishes

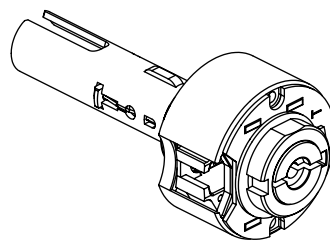
ANSI/BHMA Code	Finish Description
605	Bright Brass, Clear Coated
606	Satin Brass, Clear Coated
611	Bright Bronze, Clear Coated
612	Satin Bronze, Clear Coated
613	Dark Oxidized Satin Bronze, Oil Rubbed
613E	Dark Oxidized Satin Bronze, Equivalent
613L	Dark Oxidized Satin Bronze, Clear Coated
618	Bright Nickel, Clear Coated
619	Satin Nickel Plated, Clear Coated
619C	Satin Nickel Plated with MicroShield®
625	Bright Chrome Plated
626	Satin Chrome Plated
626C	Satin Chrome Plated with MicroShield®
722	Black Oxidized Satin Bronze, Oil Rubbed



Item	Description	Page #
1	Chassis	4
2	Liner	6
3	Spring Housing Assembly, Outside	5
4	Spring Housing Assembly, Inside	4
5	Rose	6
6	Cylinder	10
7	Lever	9
8	Button	4
9	Latch	7
10	Screw pack	6
11	Strike	8
12	Strike Box	8
13	Thru Bolt Mounting Pack	
14	Thumbturn Assembly (CL3390/CL3391 only)	
15	Emergency Release Tool (CL3320 only)	6
16	Tailpiece Packet	
17	Cylinder Retainer	



Standard Chassis



Half Trim Chassis
(e.g. CL3380, CL3381,
CL3390, CL3391)

Chassis

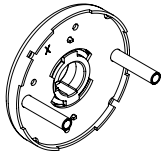
Part #	LFIC Part #	Function	Description
785F008	N/A	CL3310	Passage or Closet
785F118 Fin*	N/A	CL3320	Privacy, Bedroom or Bathroom
785F128 Fin*	N/A	CL3320H	Hospital Privacy
785F138 Fin*	N/A	CL3320TO	Time Out Lock
785F078 Fin*	785F268 Fin*	CL3329	Hotel or Motel
785F068	785F258	CL3332	Institutional or Utility
785F028 Fin*	N/A	CL3340	Patio or Privacy
785F038	N/A	CL3340NT	Exit Latch
785F018 Fin*	785F218 Fin*	CL3351	Entrance or Office
785F048	785F238	CL3352	Classroom Intruder
785F048	785F228	CL3355	Classroom
785F018	785F218	CL3357	Storeroom or CLOset
785F148	785F308	CL3359	Barrier Free Storeroom or Public Restroom
785F118 Fin*	785F298 Fin*	CL3361	Entry or Office
785F058	785F248	CL3362	Communicating
785F088	785F278	CL3372	Apartment, Exit or Public Toilet
785F158 Fin*	785F318 Fin*	CL3375	Corridor
785F098	N/A	CL3380	Passage x Blank
785F108	785F288	CL3381	Keyed Lever x Blank
785F098	N/A	CL3390	Passage Lever x Turnpiece
785F108	785F288	CL3391	Keyed Lever x Turnpiece
785F378 Fin*	785F388 Fin*	CL3393	Service Station
N/A	N/A	CL3350	Half Dummy
N/A	N/A	CL3370	Full Dummy
785F188	785F348	CL33903	Fail Safe - 12AD
785F168	785F328	CL33903	Fail Safe - 24AD
785F198	785F358	CL33905	Fail Secure - 12AD
785F178	785F338	CL33905	Fail Secure - 24AD

* Specify Finish

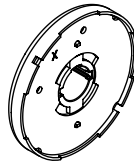
Buttons

Part #	Function
585F76 Fin*	Turnbutton (CL3351)
585F77 Fin*	Pushbutton (CL3320, CL3320H, CL3320TO, CL3340, CL3361, CL3375)
585F78 Fin*	Hotel button (CL3329)
585F79 Fin*	Slotted button (CL3393)

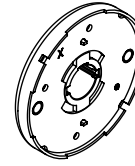
*Specify Finish



PART No. 783F208
Spring Housing Assembly, Outside
All functions except CL3380 and CL3381



Part No. 783F308
Spring Housing Assembly, Inside
(1-3/4" - 2" Door)
All functions except CL3390 and CL3391



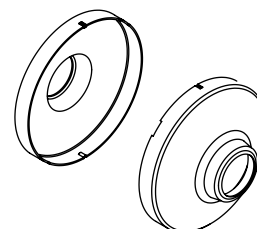
Part No. 783F408
Spring Housing Assembly, Inside
(over 2" - 2-1/4" doors)
All functions except CL3390 and CL3391

Spring Housing Assemblies

Part #	Description
783F208	Spring Housing Assembly Outside
783F308	Spring Housing Assembly Inside 1-3/4"-2"
783F408	Spring Housing Assembly Inside 2-1/4"
686F858	Dummy Housing Inside
686F868	Dummy Housing Outside

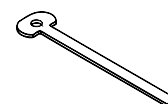
Roses

Part No.	Description
678F25 Fin*	Rose
598F59 Fin*	Blank Rose
710F618	Rose Liner Inside 1-3/4" - 2"
710F628	Rose Liner Inside Over 2"
678F248	Rose Liner Outside 1-3/4" - 2"
678F498	Rose Liner Outside Over 2"
586F51 Fin*	Thumbturn Assembly 1-3/4" - 2"
686F88 Fin*	Thumbturn Assembly over 2"
682F788	Rose Liner CL3380, CL3381



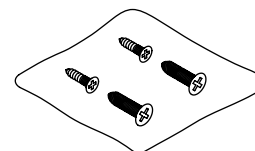
Emergency Release Tool

Part No.	Description
679F818	Emergency Release Tool (CL3320)
601F829	Emergency Release Label (CL3320)



Mounting Screw packs

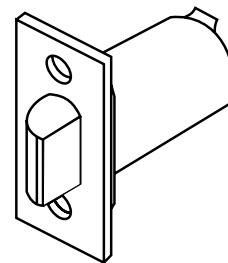
Part No.	Description
710F658	1-3/4" - 2" Doors
710F668	Over 2" up to 2-1-4" Doors
682F628	CL3380, CL3381 1-3/4" - 2" Doors
682F638	CL3380, CL3381 Over 2" Doors
682F64 Fin*	CL3390, CL3391 1-3/4" - 2" Phillips Head
682F67 Fin*	CL3390, CL3391 1-3/4" - 2" Spanner Head
682F68 Fin*	CL3390, CL3391 1-3/4" - 2" Torx Head
682F65 Fin*	CL3390, CL3391 Over 2" Phillips Head
682F86 Fin*	CL3390, CL3391 Over 2" Spanner Head
682F87 Fin*	CL3390, CL3391 Over 2" Torx Head
684F44 Fin*	CL3350 Half Dummy Trim - Phillips Head
684F45 Fin*	CL3350 Half Dummy Trim - Spanner Head
684F46 Fin*	CL3350 Half Dummy Trim - Torx Head
684F528 Fin*	CL3370 Half Dummy Trim



* Specify Finish

Plain Latch - CL3310, CL3320TO, CL3380, CL3390

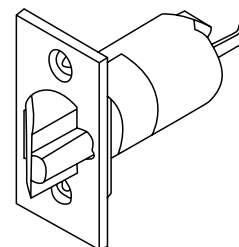
Part No.	Front	Front Width	Backset
586F16	Square Corner	1-1/8" (29mm)	2-3/4" (70mm)
596F66	Rounded Corner	1-1/8" (29mm)	2-3/4" (70mm)
586F80	Square Corner	1-1/8" (29mm)	3-3/4" (95mm)
586F86	Rounded Corner	1-1/8" (29mm)	3-3/4" (95mm)
598F20	Square Corner	1-1/8" (29mm)	5" (127mm)
601F24	Rounded Corner	1-1/8" (29mm)	5" (127mm)



Plain

Deadlocking Latch - All Other Functions

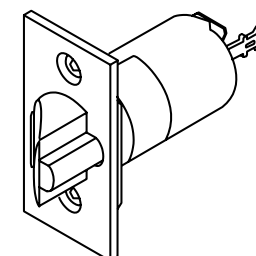
Part No.	Front	Front Width	Backset
586F17	Square Corner	1-1/8" (29mm)	2-3/4" (70mm)
596F67	Rounded Corner	1-1/8" (29mm)	2-3/4" (70mm)
586F81	Square Corner	1-1/8" (29mm)	3-3/4" (95mm)
586F87	Rounded Corner	1-1/8" (29mm)	3-3/4" (95mm)
598F21	Square Corner	1-1/8" (29mm)	5" (127mm)
601F25	Rounded Corner	1-1/8" (29mm)	5" (127mm)



Deadlocking

Throw-Off Latch - CL3320, CL3320H, CL3329, CL3340, CL3375, CL3393

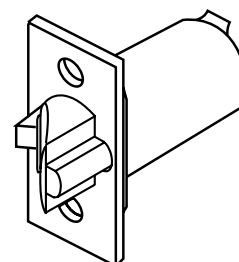
Part No.	Front	Front Width	Backset
586F18	Square Corner	1-1/8" (29mm)	2-3/4" (70mm)
596F68	Rounded Corner	1-1/8" (29mm)	2-3/4" (70mm)
586F82	Square Corner	1-1/8" (29mm)	3-3/4" (95mm)
586F88	Rounded Corner	1-1/8" (29mm)	3-3/4" (95mm)
598F22	Square Corner	1-1/8" (29mm)	5" (127mm)
601F26	Rounded Corner	1-1/8" (29mm)	5" (127mm)



Throw Off

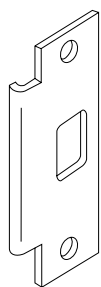
3/4" Throw Deadlocking Fire Latch

Part No.	Front	Front Width	Backset
601F69	Square Corner	1-1/8" (29mm)	2-3/4" (70mm)

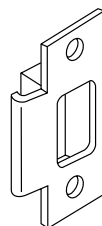


3/4" Throw Deadlocking Fire Latch for pair of doors

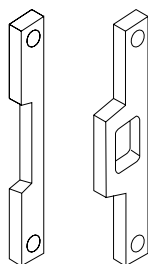
When ordering latchbolt, specify Part No. x Finish (e.g., 586F16 x 626)



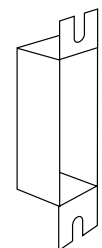
ANSI Curved Lip (standard)
 Brass or stainless steel.
 4-7/8" (124mm) x 1-1/4" (32mm) x 1-1/4" (32mm)
 lip to center.
 Optional lip lengths: 1" (25mm), 1-1/8" (29mm),
 1-3/8" (35mm), 1-1/2" (38mm), 1-3/4" (44mm), 2"
 (51mm), 2-1/4" (57mm), 2-1/2" (64mm), 2-3/4"
 (70mm), 3" (76mm).
 To order separately, specify 217L13 x
 Lip Length x Finish.



Curved Lip "T" Strike
 Brass.
 2-3/4" (70mm) x 1-1/8" (29mm) x 1-1/4"
 (32mm) lip to center.
 Optional lip lengths: 1" (25mm),
 1-1/8" (29mm), 1-3/8" (35mm), 1-1/2" (38mm),
 1-3/4" (44mm), 2" (51mm), 2-1/4" (57mm),
 2-1/2" (64mm), 2-3/4" (70mm), 3" (76mm).
 To order separately, specify 586L19 x Lip Length
 x Finish.



Rabbeted Front and Strike
 Brass or bronze.
 4" (102mm) x 5/8" (16mm) for 1/2" (13mm) rabbet.
 No optional lip lengths.
 To order separately, specify 601F28 x Finish.



ANSI Wrought Strike Box
 To order separately, specify 120F76-8.

Strikes - 4-7/8" ANSI Curved Lip

Part No.	Description
217L13M016 Fin*	1" Lip Length
217L13M018 Fin*	1-1/8" Lip Length
217L13M020 Fin*	1-1/4" Lip Length
217L13M022 Fin*	1-3/8" Lip Length
217L13M024 Fin*	1-1/2" Lip Length
217L13M028 Fin*	1-3/4" Lip Length
217L13M032 Fin*	2" Lip Length
217L13M036 Fin*	2-1/4" Lip Length
217L13M040 Fin*	2-1/2" Lip Length
217L13M044 Fin*	2-3/4" Lip Length
217L13M048 Fin*	3" Lip Length

Strikes - 2-3/4" T- Curved Lip

Part No.	Description
586L19M016 Fin*	1" Lip Length
586L19M018 Fin*	1-1/8" Lip Length
586L19M020 Fin*	1-1/4" Lip Length
586L19M022 Fin*	1-3/8" Lip Length
586L19M024 Fin*	1-1/2" Lip Length
586L19M028 Fin*	1-3/4" Lip Length
586L19M032 Fin*	2" Lip Length
586L19M036 Fin*	2-1/4" Lip Length
586L19M040 Fin*	2-1/2" Lip Length
586L19M044 Fin*	2-3/4" Lip Length
586L19M048 Fin*	3" Lip Length

Strike Box

Part No.	Description
120F768	4-7/8" ANSI strike box

Front Plate Rabbeted Strike

Part No.	Description
315F93 Fin*	Fin 606, 612, 619, 626, 605, 611, 613, 625

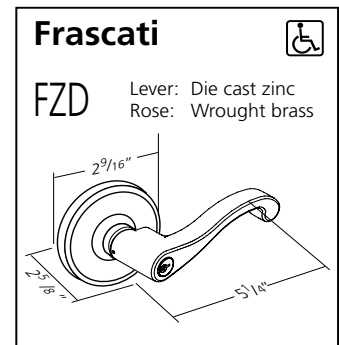
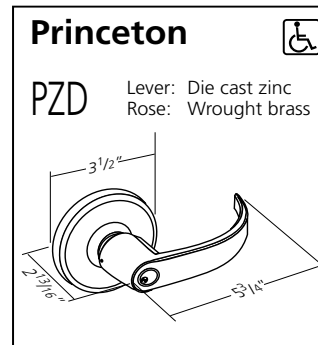
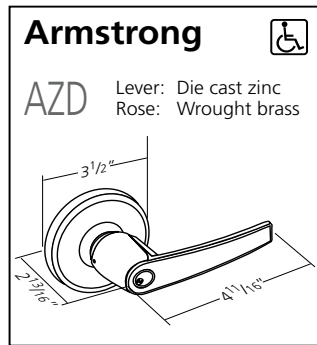
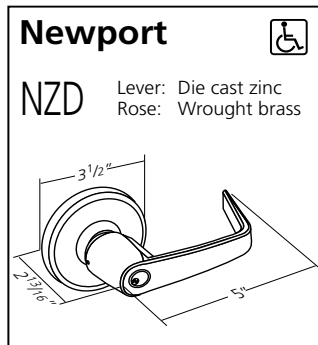
Rabbeted Strike

Part No.	Description
315F94 Fin*	Fin 606, 612, 619, 626, 605, 611, 613, 625
601F283 Fin*	Rabbeted Strike & Front

Latch & Strike Screw packs

Part No.	Description
604F228 Fin*	Latch & ANSI Strike (4-7/8") - Phillips Head
604F238 Fin*	Latch & ANSI Strike (4-7/8") - Spanner Head
604F248 Fin*	Latch & ANSI Strike (4-7/8") - Torx Head
604F268 Fin*	Latch & T-Strike (2-3/4") - Phillips Head
604F278 Fin*	Latch & T-Strike (2-3/4") - Spanner Head
604F288 Fin*	Latch & T-Strike (2-3/4") - Torx Head
480F688 Fin*	Rabbeted Front & Strike - Phillips Head
596F618 Fin*	Rabbeted Front & Strike - Spanner Head
596F628 Fin*	Rabbeted Front & Strike - Torx Head

*Specify finish



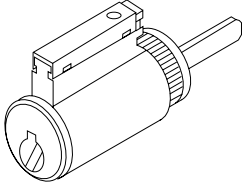
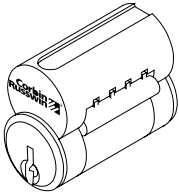
Levers for Doors 1-3/4" - 2" Doors*

Application	NZD	AZD	PZD	FZD x RH	FZD x LH
Plain	563F945	563F885	799F505	712F505	712F205
Cylinder or Button	563F955	563F895	799F515	712F515	712F215
Intruder	714F065	714F005	799F535	712F685	712F385
Emergency Key Hole	563F965	563F905	799F525	712F525	712F225
LFIC Cylinder - 6 Pin	585F715	585F705	799F565	712F545	712F245
LFIC Cylinder - 6 Pin Intruder	714F365	714F305	799F575	712F705	712F405
LFIC Cylinder - 7 Pin	600F415	600F425	799F585	712F555	712F255
LFIC Cylinder - 7 Pin Intruder	714F375	714F315	799F595	712F715	712F415
SFIC Cylinder Cutout	596F825	NA	799F805	712F565	712F265
SFIC Cylinder Cutout Intruder	714F425	NA	799F815	712F725	712F425
Schlage® LFIC Cylinder Cutout	690F975	NA	799F825	712F575	712F275
Schlage® LFIC Cylinder Cutout - Intruder	714F455	NA	799F835	712F735	712F435
Sargent® Cylinder Cutout	578F435	695F075	799F545	712F535	712F235
Sargent® Cylinder Cutout - Intruder	714F125	714F035	799F555	712F695	712F395

Levers for Doors 2" - 2-1/4" Doors*

Application	NZD	AZD	PZD	FZD x RH	FZD x LH
Plain	684F825	684F775	799F605	712F605	712F305
Cylinder or Button	684F835	684F785	799F615	712F615	712F315
Intruder	714F215	714F155	799F635	712F745	712F445
Emergency Key Hole	684F845	684F795	799F625	712F625	712F325
LFIC Cylinder - 6 Pin	684F865	684F805	799F665	712F645	712F345
LFIC Cylinder - 6 Pin Intruder	714F545	714F485	799F675	712F765	712F465
LFIC Cylinder - 7 Pin	684F875	684F815	799F685	712F655	712F355
LFIC Cylinder - 7 Pin Intruder	714F555	714F495	799F695	712F775	712F475
SFIC Cylinder Cutout	684F885	NA	799F845	712F665	712F365
SFIC Cylinder Cutout Intruder	714F605	NA	799F855	712F785	712F485
Schlage® LFIC Cylinder Cutout	690F985	NA	799F865	712F675	712F375
Schlage® LFIC Cylinder Cutout - Intruder	714F635	NA	799F875	712F795	712F495
Sargent® Cylinder Cutout	684F855	697F995	799F645	712F635	712F335
Sargent® Cylinder Cutout - Intruder	714F275	714F185	799F655	712F755	712F455

*Specify Finish

	
Access 3® - .510" plug diameter Pyramid - .496" plug diameter Conventional - .509" plug diameter Security - .552" plug diameter Brass, 6-pin 2 nickel silver keys Finishes: 606, 626	Access 3® - .510" plug diameter Pyramid - .496" plug diameter Conventional - .509" plug diameter Security - .552" plug diameter Brass, 6-pin 2 nickel silver keys Finishes: 605, 606, 611, 612, 613, 613E, 613L, 618, 619, 625, 626, 722

	Standard Cylinder	Interchangeable Core
Conventional 6-Pin	2000-033 (Std.)	8000
Conventional 7-Pin	2000-033-7	8000-7
Emhart Security	2010-033	8010
Hotel 6-Pin	2001-034	8001-034
Hotel 7-Pin	2001-034-7	8001-034-7
Access 3® - AP Type	2500-033	8500
Access 3® - AS Type	2600-033	8600
Access 3® - AHS Type	2700-033	8700
Pyramid Security	2027-033	8027
Pyramid High Security	2020-033	8020
Schlage® C Keyway (0-Bitted)	2400-033-C	NA
Schlage® C Keyway (Keyed Random)	2400-033-C-KR	NA
Sargent® LA Keyway (0-Bitted)	2400-033-LA	NA

Cylinder Parts

Part #	Description
622F308	Tailpiece 6-pin
682F298	Tailpiece 7-pin
631F248	Corbin Russwin LFIC core kit
682F958	SFIC tailpiece kit
682F969	Sargent® tailpiece kit
697F942	Schlage® LFIC tailpiece kit
682F398	Schlage® tailpiece kit

Compatibility with Competitive Cylinders

Competitive Cylinders	Parts Required for Installation
Schlage® conventional 21-002, 23-001 or 23-013 (<i>Quick Code M06</i>)	682F39-8 Tailpiece included with M06 options.
Schlage® Primus 20-548, 20-78 or 20-750 (<i>Quick Code M06</i>)	682F39-8 Tailpiece included with M06 options.
SFIC style core, 6 or 7 Pin (<i>Quick Code M08</i>)	682F95-8 specify option M08 Accommodates 6 and 7 pin cores
Sargent® 13-3268 (<i>Quick Code M09</i>)	682F96-9 Tailpiece Kit and Special Lever specify option M09
Schlage® LFIC Core (<i>Quick Code M69</i>)	697F942 Tailpiece and Special Lever specify option M69
Corbin Russwin LFIC Tailpiece	631F248

Installation Instructions

**Grade 1 Key-In-Lever
Cylindrical Lockset
CL3300 Series**



In U.S.:
Corbin Russwin, Inc.
225 Episcopal Road
Berlin, CT 06037 USA
www.corbinrusswin.com

In Canada:
ASSA ABLOY Door Security Solutions Canada
160 Four Valley Drive
Vaughan, Ontario, Canada L4K4T9
www.assaabloy.ca

Technical Product Support: Phone: 888-607-5703

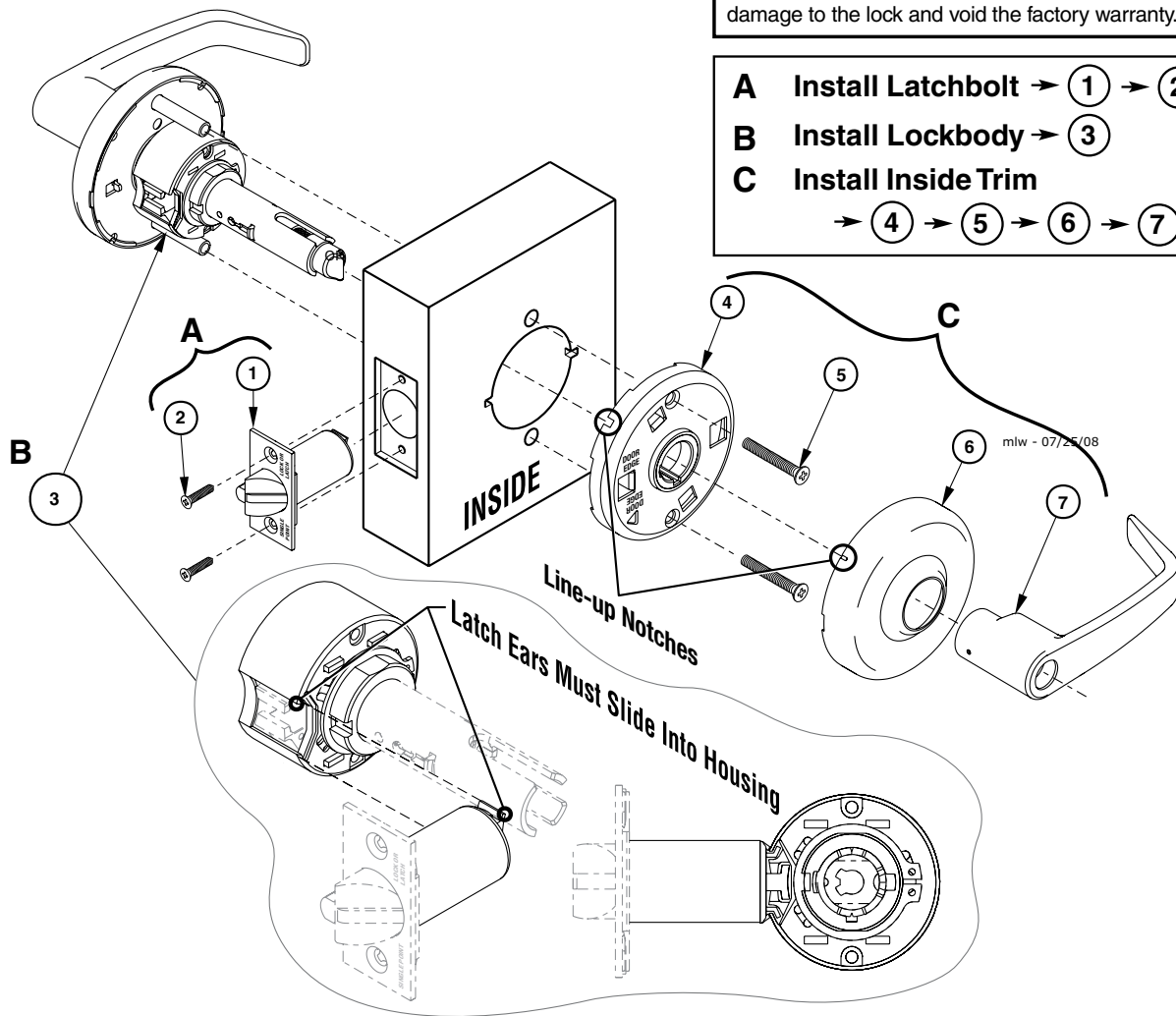
IMPORTANT: The accuracy of the door preparation is critical for the proper functioning and security of this lever handle lock. Misalignment can cause premature wear and a lessening of security.

***Standard Installation for 1-3/4" doors.
See page 2 to adjust for other door thicknesses.**

Attention Installer

Please read these instructions carefully to prevent missing important steps.
Please note: Improper installation may result in damage to the lock and void the factory warranty.

- A Install Latchbolt** → ① → ②
- B Install Lockbody** → ③
- C Install Inside Trim**
→ ④ → ⑤ → ⑥ → ⑦

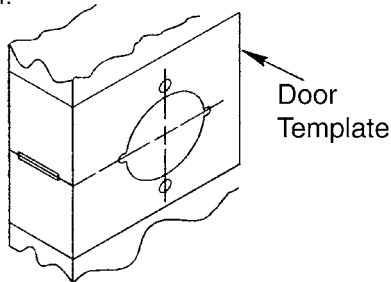


STOP **TEST OPERATION: Rotate levers to see that latchbolt moves freely. DO NOT FORCE.**
If lockset does not operate properly, remove lockset from door and check door preparation.

Door & Frame Preparation

Mark door

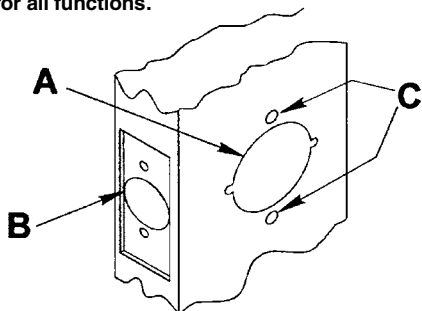
Locate and mark horizontal center line at desired height above floor. Fold template over edge of door, centering on horizontal line. Mark centers of holes at proper backset. Mark both sides of the door.



Note:
Be sure to verify backset before marking & drilling door.

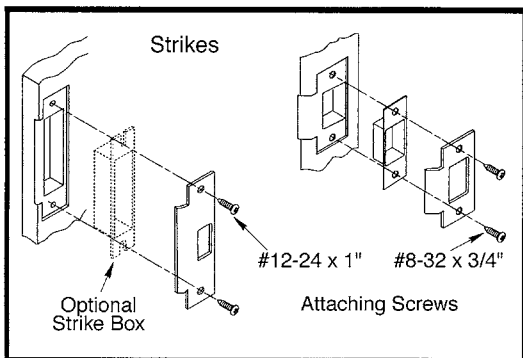
Drill door

- A. **2-1/8" (54mm) hole thru door.** Cut ANSI tab notches as shown on template (except CL3350 and CL3370).
- B. **Drill 1" (25mm) hole in edge of door.** Cut out for latch front 5/32" (4mm) deep. 1-1/8" (29mm) wide x 2-1/4" (57mm) high. Check latch unit for proper width front and square or round corners (except CL3350 and CL3370).
- C. **Drill two (2) 11/32" (8mm) Dia. holes through door for all functions.**



Caution:
To avoid splintering wood doors, drill holes from both sides.

Install Strike



Adjust Lock for Door Thickness

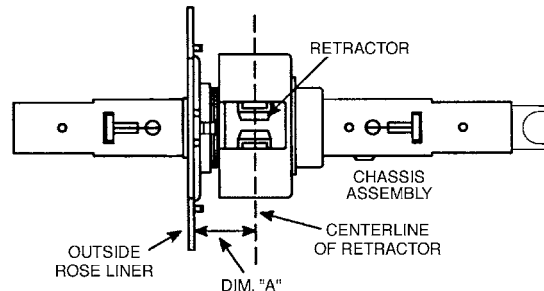
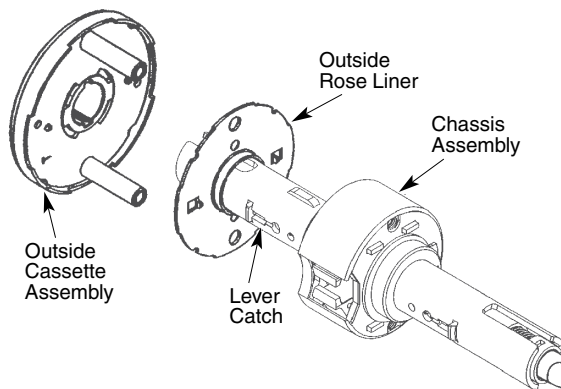


ASSA ABLOY

Adjust lock to door thickness if other than 1-3/4" (44mm) doors*. (Lock pre-set from factory for 1-3/4" door).

- A. Remove outside lever (see page 4)
- B. Slide off outside cassette assembly.
- C. Rotate rose liner to adjust lock to fit door thickness, so that the distance (Dim. "A") from the inside of the liner to the centerline of the retractor is one half of the thickness of the door (see chart).
- D. Re-assemble outside cassette assembly onto chassis assembly (except CL3380 and CL3381 functions).

***Note: For doors more than 2", verify lock package is labeled with "D214" option.**



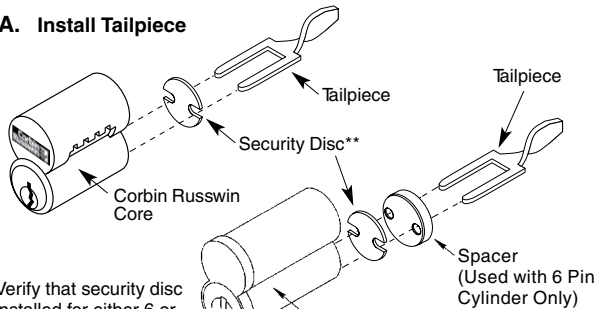
Door Thickness*	"A"
1-3/4" (44)	7/8" (22)
2" (50)	1" (25)
2-1/4" (57)	1-1/8" (29)

Dimensions are given in inches (mm).

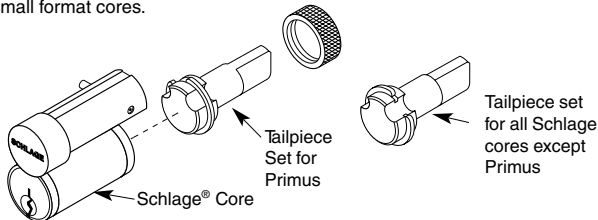
Cylinder Installation

To Install Interchangeable Core (With lever already installed on lock)

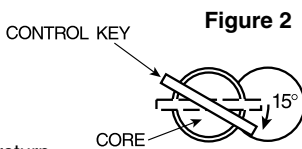
A. Install Tailpiece



** Verify that security disc is installed for either 6 or 7 pin Corbin Russwin or small format cores.



B. Insert key marked CONTROL and turn clockwise approximately 15 degrees. See Figure 2.



C. Insert core into lever and return key to its original horizontal position locking core in place. See Figure 3.



D. Withdraw key. Test lockset for correct function with operating key.

E. Control key has no further use in lockset installation and must be safeguarded for return to Security personnel when installation is complete.

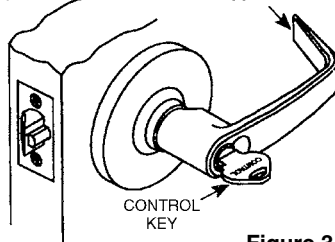
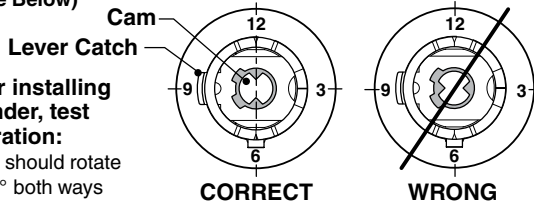


Figure 3

CL3355 Classroom or CL3352 Intruder (outside cylinder) Function Timing

Before installing cylinder:

- Turn Cam so points are up and down, 6 o'clock and 12 o'clock (See Below)



After installing cylinder, test operation:

- Key should rotate 180° both ways
- If cylinder rotates 360°, remove cylinder and check cam orientation.

Other product brand names may be trademarks or registered trademarks of their respective owners and are mentioned for reference only.

FM533 (07/12)
ASSA ABLOY, the global leader in door opening solutions



To Remove Interchangeable Core

ASSA ABLOY

- Insert key marked CONTROL and turn clockwise approximately 15 degrees. See Figure 4.
- Pull core and tailpiece completely out of lever.

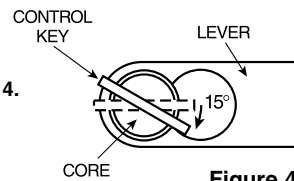
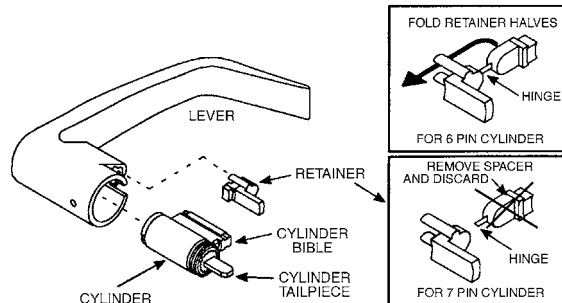


Figure 4

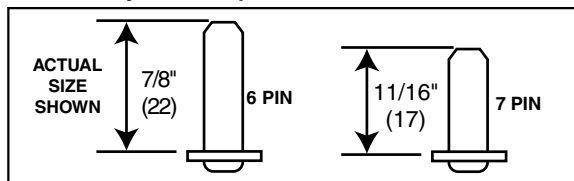
Install Standard Cylinder

Make sure lock is unlocked.

- Make sure cylinder tailpiece is aligned in same direction as cylinder bible. Slide cylinder all the way into lever.
 - **For 6-pin cylinder:** Fold retainer at hinge and press fit retainer halves together as shown.
 - **For 7-pin cylinder:** Break retainer at hinge and discard spacer section. Also remove black cylinder spacer from inside of chassis rollback for clearance.



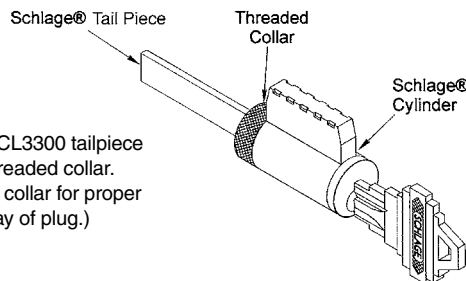
Standard Cylinder Tailpieces



Dimensions are given in inches (mm).

Corbin Russwin conversion kit for Schlage® cylinders with CL3300 lockset.

- Remove threaded collar and Schlage® tailpiece.



- Install CL3300 tailpiece with threaded collar. (adjust collar for proper end play of plug.)

Copyright © 2012 Corbin Russwin Inc., an ASSA ABLOY Group company. All rights reserved. Reproduction in whole or in part without the express written Permission of Corbin Russwin, Inc. is prohibited.

Lever Removal and Installation



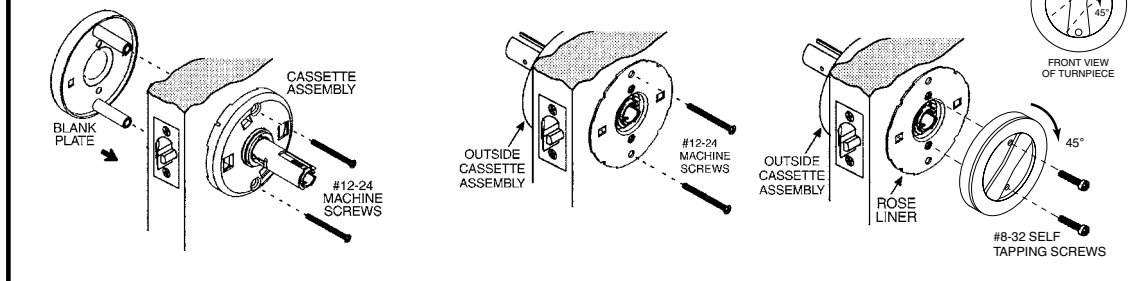
ASSA ABLOY

LEVER STYLE	REMOVAL	INSTALL
<p>Push / Turn Button</p>	<p>Hold in button, push release tool into release hole, remove lever</p>	<p>Push button in, slide lever on. <i>Make sure lever will not pull off</i></p>
<p>Plain Lever</p>	<p>Push release tool into release hole, remove lever</p>	<p>Slide lever over lever catch. <i>Make sure lever will not pull off</i></p>
<p>Cylinder Lever</p>	<p>Rotate key 45° clockwise (from shed position), Push in release tool into release hole, remove lever</p>	<p>Insert key and rotate 45° (from shed position), slide lever on. <i>Make sure lever will not pull off</i></p>
<p>Interchangeable Core Lever</p>	<p>Remove cylinder and tailpiece, (see page 3) Use flat blade screwdriver to pull back lever catch, remove lever</p>	<p>Slide lever over lever catch <i>Make sure lever will not pull off</i></p>

Optional Installations

For CL3380 & CL3381 Function Only.

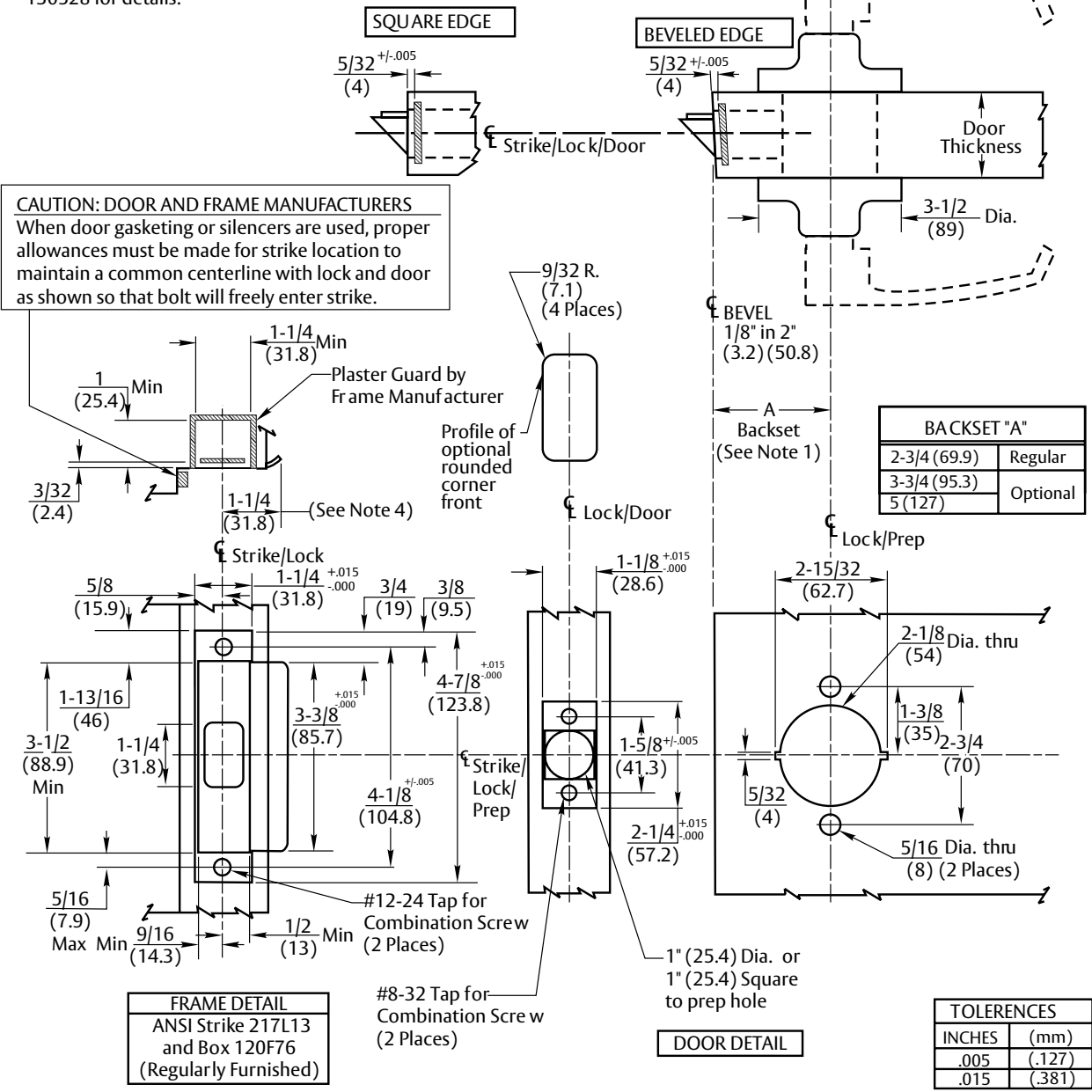
For CL3390 & CL3391 Function Only.



Notes:

1. Backset is measured from centerline of bevel which is centerpoint of door thickness.
2. Door prep with 2-3/4" (69.9) backset meets ANSI/BHMA A156.115 for steel doors and A156.115W for wood doors plus through bolt holes shown.
3. Dimensions given in inches and (MM).
4. 1-1/4" strike lip suits frame for 1-3/4" thick door. Lip will vary for other door thickness.
5. Door prep will vary for 3/4" (19) latch assembly. Refer to template T30528 for details.

TEMPLATE CROSS REFERENCE	
DESCRIPTION	TEMPLATE
CL3350 & CL3370 Dummy Trim	T30685
586L19 Optional Strike	T30476
M16 3/4" Latch	T30528
601F28 Rabbeted Front & Strike	T30640



RESPONSIBILITY

Door and Frame Manufacturers are responsible for providing adequate construction or reinforcements for proper installation of hardware shown. All architectural builders hardware must be installed on properly reinforced doors and frames, regardless of the type, material, or method of construction.

CL3300 Series Cylindrical Lever Lockset

All Functions And Trims Except Dummy Trim, and M16 latch (3/4")

Corbin Russwin
ASSA ABLOY
www.corbinrusswin.com

Do Not Scale Drawing

Supersedes	Dr.	App.
Date	2-00	Template Number
		T30684

Power supplies are designed to provide reliable filtered and regulated power for long life to a variety of electrified hardware components. All modular power supplies are voltage specific and are designed to meet UL 1481 Standards.

Features

- Fire panel emergency release input
- PC Board mounted system LED indicator
- Voltage specific 12 or 24VDC
- Regulated and filtered with input and output protection
- Battery charging is provided from a separate output terminal

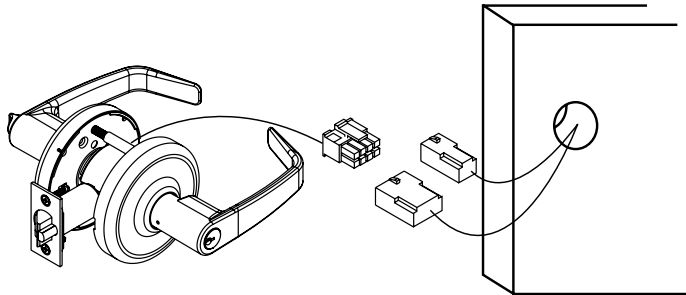
Model	Input	Output
BPS-12-1	115VAC @ 50/60 Hz	1 Amp @ 12VDC
BPS-12-3		3 Amp @ 12VDC
BPS-24-1	115VAC @ 50/60 Hz	1 Amp @ 24VDC
BPS-24-2		2 Amp @ 24VDC



ElectroLynx® Connector System

For ASSA ABLOY Group Doors and Hinges with ElectroLynx® Connector System

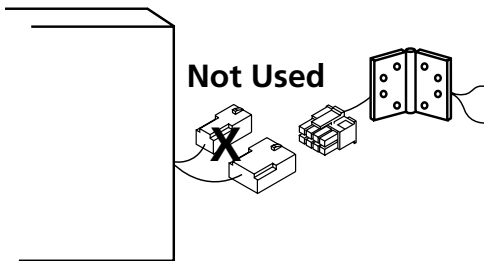
- Plug 8-pin lock connector into 8-pin door connector (4-pin door connector not used for this application).



For non ElectroLynx Connector System, door install available retrofit harness and use with ElectroLynx hinge. Follow installation instructions for ElectroLynx Connector System.

For non ElectroLynx Connector System door and hinge, remove connector on lock (warranty void if rectifier module is removed). Use proper crimp splices or wire nuts in accordance with local code for terminating connections. No polarity of wires is required.

- Install lock per instruction sheet provided
- Plug 8-pin door connector into 8-pin hinge connector (4-pin door connector not used for this application).

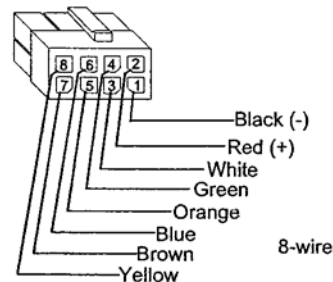


Use template T30971 for door preparation

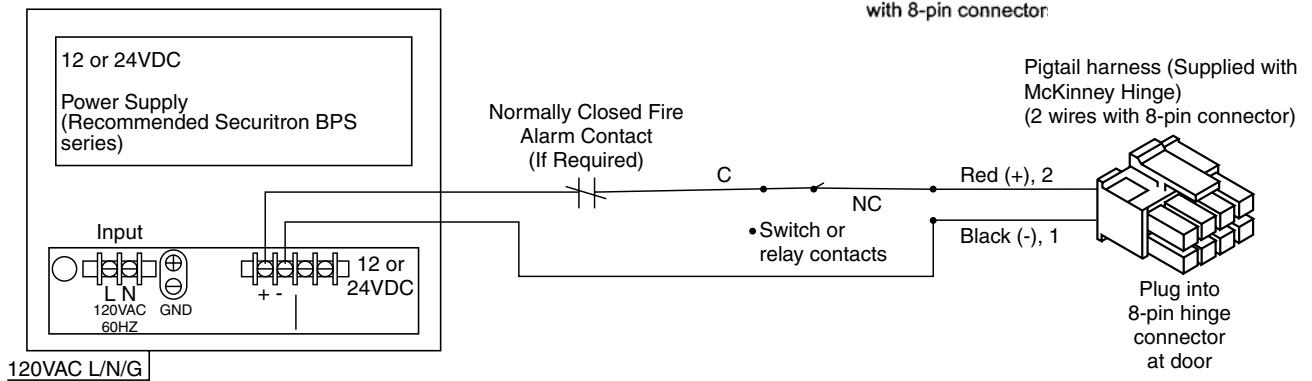
- Electrical Specifications
24 Volts AC/DC +/-10%
Operating Current .150 AMP

12 Volts AC/DC +/- 10%
Operating current .250 AMP

- Wire hinge to power source



with 8-pin connector:



Hardwiring Made Easy®



ElectroLynx®

As part of their promise to provide innovative, fast and effective high security solutions to their customers, ASSA ABLOY Group companies offer ElectroLynx®, a universal quick-connect system that simplifies the electrification of the door opening. ElectroLynx® is a registered trademark of ASSA ABLOY Inc.



ASSA ABLOY is the global leader in door opening solutions, dedicated to satisfying end-user needs for security, safety and convenience



ASSA ABLOY

In U.S.

Corbin Russwin
Architectural Hardware
225 Episcopal Road
Berlin, CT 06037
Phone: 800-543-3658
Fax: 800-447-6714
corbinrusswin.com

In Canada

ASSA ABLOY Door
Security Solutions Canada
160 Four Valley Drive
Vaughan, Ontario
Canada L4K 4T9
Phone: 800-461-3007
Fax: 905-738-2478
www.assaabloy.ca

For more information regarding Corbin Russwin Locksets, Exit Devices, Door Controls and Key Systems, contact your authorized Corbin Russwin Distributor or Sales Representative.

Hardwiring Made Easy



ElectroLynx®

As part of their promise to provide innovative, fast and effective high security solutions to their customers, certain ASSA ABLOY Group brands offer ElectroLynx®, a universal quick-connect system that simplifies the electrification of the door opening.

ElectroLynx® is a registered trademark of ASSA ABLOY Inc.

Corbin Russwin and Design® is a registered trademark of Corbin Russwin, Inc, an ASSA ABLOY Group company. Other products' brand names may be trademarks or registered trademarks of their respective owners and are mentioned for reference purposes only. These materials are protected under US copyright laws. All contents current at time of publication. Corbin Russwin, Inc., an ASSA ABLOY Group company reserves the right to change availability of any item in this catalog, its design, construction, and/or its materials. Copyright © 2000-2016 Corbin Russwin, Inc., an ASSA ABLOY Group company. All rights reserved. Reproduction in whole or in part without the express written permission of Corbin Russwin, Inc. is prohibited.