

When we come together, great things happen.

In 2018 HES and Securitron, the world's premier suppliers of electric strikes, electronic locking systems and access control components, united as ASSA ABLOY Electronic Security Hardware. This exciting combination accentuates the best of both brands: the innovation, strength and service of HES harmonizing with the durability, quality and no-fault warranty of Securitron.

Industry Leaders

With more than 40 years of experience shaping the access control industry while innovating electric strikes and electromagnetic locks and accessories, ASSA ABLOY Electronic Security Hardware continues to offer the same high quality products of the legacy HES and Securitron brands that you have come to rely upon. By combining the brands, ASSA ABLOY Electronic Security Hardware provides a solution offering that is more comprehensive than either one brand could have provided alone.

Customers Come First

ASSA ABLOY Electronic Security Hardware is proud to extend the most comprehensive no-fault, no questions asked warranty coverage to all of our products and solutions. The MagnaCare® warranty continues to be called MagnaCare and applies to select products under the over-arching strength and assurance of the ASSA ABLOY brand. Knowledgeable Customer Care and Tech Support teams are ready to assist with anything from the smallest detail to the most difficult application questions.

A Brighter Future...Together

The unification of these two legacies creates immense opportunity for innovation, provides a more solutions-focused product offering, and supports superior customer experiences.

Our success could not be achieved without you, our customers. We thank you for your business and partnership, and appreciate your continued support. We look forward to working with you... together as ASSA ABLOY Electronic Security Hardware.

For more information, visit assaabloyesh.com.

Electronic Security Hardware

HES | Securitron Product Catalog

Table of Contents

Electric Strikes

HES 1006	3
HES 1500, 1600	13
HES 4500	21
HES 5000, 5200	23
HES 7000, 7501	29
HES 8000, 8300, 8500	35
Securitron UNL, MUNL	45
HES 9400, 9500, 9600, 9700, 9800	49
HES Folger Adam 310 Series	59
HES Folger Adam 310-4 Series	63
HES Folger Adam 310-4-X Series	65
HES Folger Adam 310-6-X Series	67
HES Folger Adam 700 Series	69
HES Folger Adam 742 Series	71
Electric Strike Accessories	73
Electric Strike Compatibility Chart	75
Lock Cross Reference	77

Electromagnetic Locks

Intelligent Magnalocks	
Securitron M380	81
Securitron M680E EcoMag	83
Delayed Egress Magnalocks	
Securitron iMXDa	85
Modular Exit Delay System	87
Securitron XDT, SB-MXD	88
Durable Magnalocks	
Securitron M32	91
Securitron M62	93
Securitron M82	95
Securitron M32, M62 M82 Accessories	97
Securitron M38, M68	102
Securitron M38, M68 Accessories	106
Securitron Universal Magnalock Accessories	107
Securitron DM62	110
Shear Magnalocks	
Securitron SAM, M34R, SAM2-24	112
Securitron SAM Accessories	118
Securitron Magnalock Selection Guide & Options	119
Specialty Magnets	
Securitron MM15	See Specialty Locks
Securitron M62FG-SASM	See Specialty Locks
Securitron M32-SS	See Cabinet Locks
Securitron MCL	See Cabinet Locks

Cabinet Locks

HES 610	123
HES 660	125
HES KP20, K20	127
HES K100 Wireless	131
HES K200	133
HES KS200 Server	135
Securitron MCL	137
Securitron M32-SS	139

Specialty Locks

Securitron GL1 Gate Lock	143
Securitron FMK Bracket Kits	145
Securitron MM15 MEMLOCK	147
Securitron MM15 MEMLOCK Accessories	149
Securitron M62FG-SASM	153

Keypads & Card Readers

Stand Alone Keypads	
Securitron DK-12	155
Keypad System	
Securitron DK-16	157
Securitron DK-26	159
Wiegand Keypads	
Securitron DK-37	161
Securitron DK-38	163
Wireless Card Readers	
Securitron R100-1H Aperio® Wireless Card Reader	165

Push Buttons & Egress Devices

Exit Motion Sensor	
Securitron XMS	169
Emergency Exit Buttons	
Securitron EEB Series	170
Push Buttons	
Securitron PB, BP2, PB3, PB4L, PB5 Series	171
Push Button Selector Chart	176
Keyswitches	
Keyswitch Selector Guide	177
Securitron MK	178
Securitron KP-1	179
Wave Switch	
Securitron WSS	180
Capacitive Plate	
Securitron SP1	181
Egress Bars	
Securitron DSB	183
Securitron TSB	185
Securitron EMB	187
Egress Handles	
Securitron TSH	189
Securitron EMH	190

Aperio® Wireless

HES K100-622H	See Cabinet Locks
HES KS100-640H	See Cabinet Locks
Securitron R100-1H	See Keypads & Readers

Integrated Wiegand

Securitron DK-37, DK-38	See Keypads & Readers
HES K200-622	See Cabinet Locks
HES KS200-640	See Cabinet Locks

Power

Linear Power Supplies

Securitron BPS Series	193
Securitron BPSM Series	197
Securitron PSM Series	199
Securitron FAR Fire Alarm Reset	201
BPS Linear Power Supply and Plug-In Power Supply Selection Guide	200

Switching Power Supplies

Securitron AQD Series	203
Securitron AQS Series	205
Securitron AQ Power Distribution Series	207

Eco-Friendly Power Supplies

Securitron EcoPower®	212
----------------------------	-----

Solar Power Supplies

Securitron BPSS Series	214
------------------------------	-----

PoE Power Supplies

Securitron AQE Injectors & Extractors	216
---	-----

Plug-In Power Supplies

Securitron PSP Series	220
-----------------------------	-----

Power Supply Accessories	222
---------------------------------------	-----

Power Transfers

Concealed Power Transfers

Securitron ICPT, CEPT, SEPT, EPT	224
--	-----

Electric Hinges

Securitron EH	231
---------------------	-----

Door Cords

Securitron TSB-C	232
------------------------	-----

Accessories

Timers & Alarms

Securitron TM-2, TM-9, DT-7 & PZ1	235
---	-----

Door Position Monitoring

Securitron DPA Series	239
Securitron DPS Series	240
Securitron MSS	241
Securitron LM	242

Relays

Securitron RB4 Series	243
Securitron RLP Series	244

Resources

Glossary of Terms & Icons

Terms	247
Icons	248

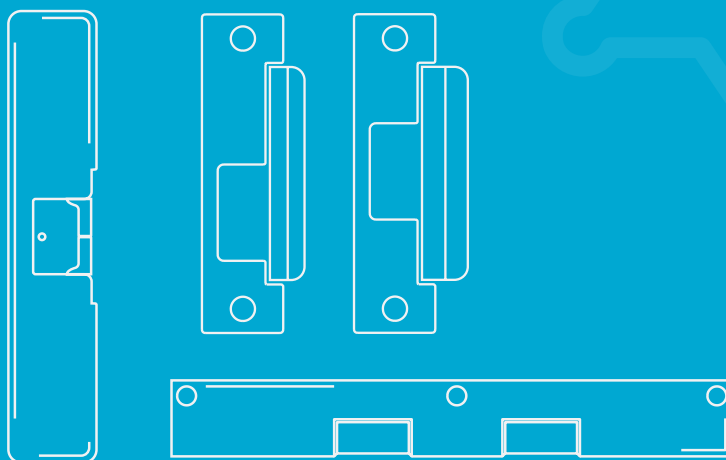
Locking Systems

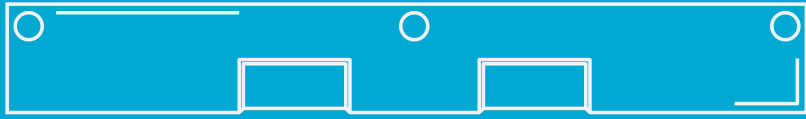
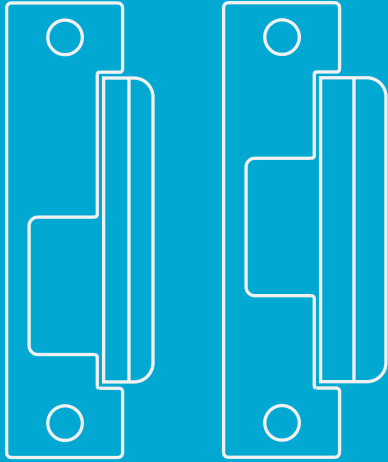
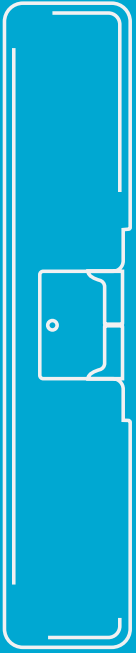
Basic Magnetic Locking System	250
Delayed Egress Magnetic Locking System	251
Store Front Locking System	252
Motion Activated Locking System	253
Glass Door Locking System	254
Gate Locking System	255

Terms and Conditions, Warranty	256
---	-----



Electric Strikes





HES[®] 1006 Electric Strike

*Works with all cylindrical
and mortise locksets with
or without a deadbolt*



Also available in
a Complete One
Box Solution

The strongest, most versatile electric strike available.

The HES 1006 Series Electric Strike is the strongest and most versatile electric strike available. The dual interlocking plunger design and heavy duty stainless steel construction enables it to exceed every standard developed for electric strikes. With multiple faceplate options, the HES 1006 will fully accommodate every lock designed to work within an ANSI 4-7/8" strike plate. Tested to exceed 3,000 lbs of static strength, 350 ft-lbs of dynamic strength and factory tested to exceed 1 million cycles of operation, the HES 1006 is in a class of its own.

Features

Standard Features

- Stainless steel construction
- Tamper resistant
- Static strength 2,500 lbs
- Dynamic strength 350 ft-lbs (fail secure)
- Endurance 1 million cycles
- Fail secure (standard)
- Non-handed
- Accommodates up to 1" [25.4mm] deadbolt
- Plug-in connector
- Full keeper shims for horizontal adjustment
- Trim enhancer
- Strike body depth 1-11/16" [43mm]
- SecuriCare five-year, no-fault, no questions asked warranty (*Addition of HES SMART Pac[®] III extends the warranty to 10 years*)

Optional Features

- **LBM** Latchbolt monitor
- **LBSM** Latchbolt strike monitor
- Fail safe
- Interchangeable faceplates
- Monitor switches may not work with all faceplate options

Accessories

- **HES-CUT-MTK** Metal template kit
- **2005M3** SMART Pac[®] III
- **1000-102** Rain guard
- **1006-103** Full keeper shims
- **1000-104** Lip extension trim adapter
- **1006-105** Trim enhancer BLK (goof plate)
- **1006-109** Trim adapter
- **1000-110** Replacement strike plate
- **1000-130** KD filler plate
- **150** Strike latch guard



Grade 1	SecuriCare Warranty	Mortise Locks with Deadbolt	Mortise Locks without Deadbolt	Cylindrical Locksets	Specialty Locksets	Dual Voltage 12/24	Fire Rated	Windstorm Resistant	Outdoor Rated	Burglary Rated

HES 1006 Electric Strike

Dimensions

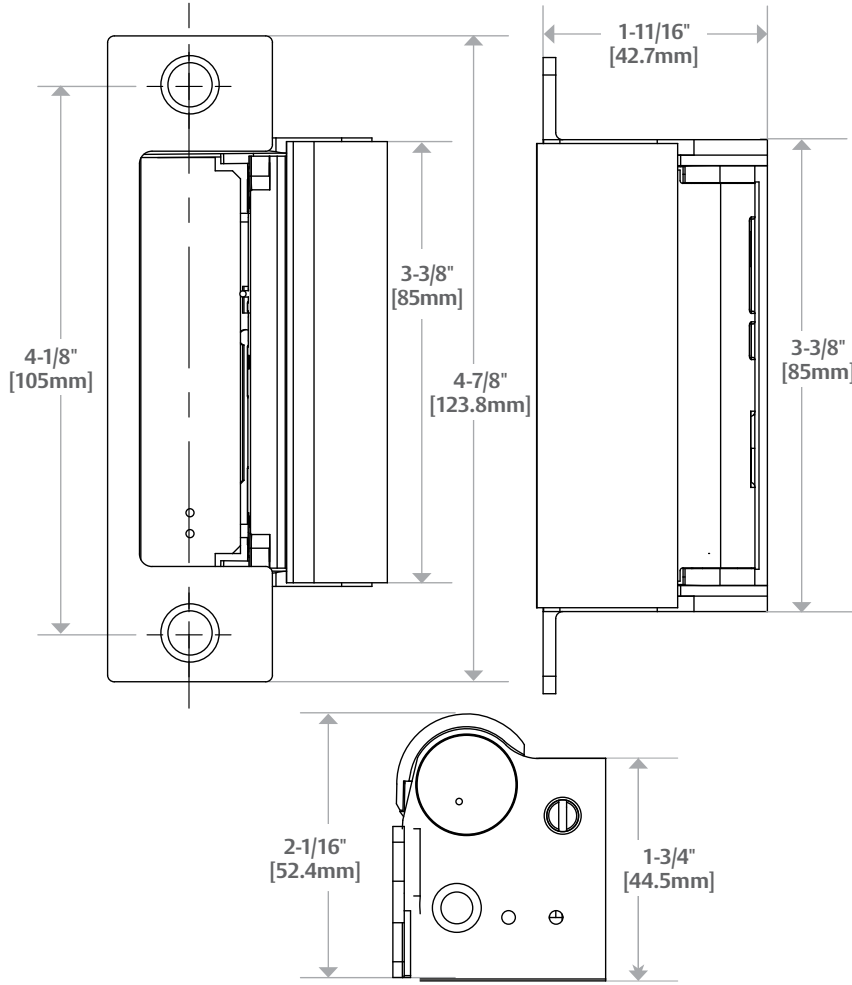


Diagram shown with DB faceplate

Specifications

Certifications

- ANSI/BHMA A156.31, Grade 1
- UL 1034 burglary-resistant listed and suitable for outdoor use
- UL 294 listed
- RoHS compliant
- UL 10C fire rated, 3-hour single door (fail secure only)
- UL 10C fire rated, 1-1/2 hour double door (fail secure only)
- CAN/ULC-S104 fire door conformant
- NFPA-252 fire door compliant
- ASTM-E152 fire door compliant
- ANSI/SDI A250.13 windstorm resistant
- Florida Building Code approved TAS 201, 202, 203
- ANSI-ASTM E330
- Sustainability documentation

Frame Application

- Metal
- Wood

Electrical (DC Continuous Duty)

- Dual Voltage 12/24 VDC
- 450 mA at 12 VDC / 250 mA at 24 VDC

NOTE: DC must be well filtered with ripple less than 1 volt 12ms.

How to Order

Series	Model	Fail Secure / Safe	Finish*	Option (s)
1006	—	— F	— 630	— LBM
1006 Universal Electric Strike; faceplates ordered separately	CS* Complete Electric Strike; includes the SMART Pac III and J, KD, KM, HM, ND faceplates and brackets	(blank) Fail Secure (standard)	605 Bright Brass	LBM Latchbolt Monitor**
	CLB* Complete Electric Strike for latchbolt locks; includes J, K, KD and KM faceplates	F Fail Safe	606 Satin Brass	LBSM Latchbolt Strike Monitor**
	CDB* Complete Electric Strike for Deadbolt Locks; includes the ND and HM faceplates		612 Satin Bronze	
	CAS* Complete Electric Strike for Deadbolt Locks; includes the N, ND and NM faceplates		613 Bronze Toned	
			629 Bright Stainless Steel	
			630 Satin Stainless Steel	
			BLK Black	

*Complete Pacs are only available in the 630 finish. ** Not available with CS, CDB, or CAS

NOTE: Electric strike compatibility is determined at time of electric strike product release. ASSA ABLOY is not responsible for incompatibility of products that have changed in design or craftsmanship by their respective manufacturers. When compatibility is a concern, contact Customer Support for application assistance.

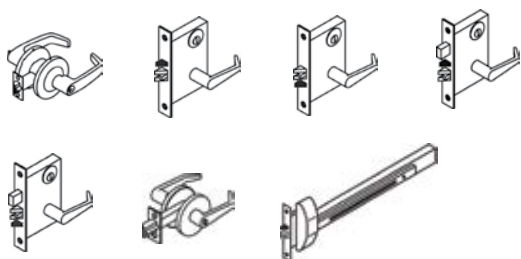
HES 1006CS Smart Strike™

The Complete One Box Solution for all cylindrical and mortise locksets, with or without a 1" deadbolt

The HES 1006CS Smart Strike includes a HES 1006 electric strike body and SMART Pac® III plus faceplates and brackets that can provide the same function as any of the following options:

- | | | |
|-----------|-----------|------------|
| J Option | H Option | HTD Option |
| K Option | HD Option | N Option |
| KD Option | HM Option | ND Option |
| KM Option | HT Option | NM Option |

Compatible Locksets



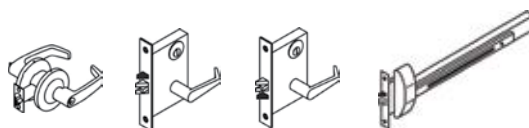
HES 1006CLB Complete for Latchbolt Locks

The Complete One Box Solution for all cylindrical and mortise locksets

The HES 1006CLB includes the HES 1006 electric strike body plus faceplates and brackets that provide the same function as any of the following options:

- | | |
|----------|-----------|
| J Option | KD Option |
| K Option | KM Option |

Compatible Locksets



HES 1006CAS Complete for Recapture

The Complete One Box Solution for deadbolt recapture

The HES 1006CAS Smart Strike includes a HES 1006 electric strike body plus faceplates and brackets that can provide the same function as any of the following options:

- | | | |
|-----------|-----------|-----------|
| A Option | N Option | T Option |
| AD Option | ND Option | TD Option |
| AM Option | NM Option | |

Compatible Locksets



HES 1006CDB Complete for Deadbolt Locks

The Complete One Box Solution for all locksets with a 1" deadbolt

The HES 1006CDB includes the HES 1006 electric strike body plus faceplates and brackets that provide the same function as any of the following options:

- | | | |
|-----------|------------|-----------|
| H Option | HT Option | ND Option |
| HD Option | HTD Option | NM Option |
| HM Option | N Option | |

Compatible Locksets



HES 1006 Series Faceplate Options

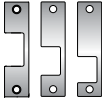


Cylindrical Locksets



Mortise Locks without Deadbolt

Operation: After releasing the latchbolt, the keeper returns to the locked position.



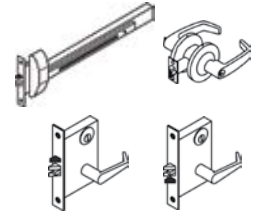
4-7/8" x 1-1/4"
[123.8mm x 31.75mm]

LB Option

The Latchbolt Solution: Includes all hardware to accommodate every cylindrical and mortise lock up to a 3/4" [19mm] latchbolt

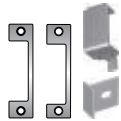
Replaces function of the J, K, KM and KD Options.

ANSI/BHMA Numbers: E09321, E09322, E09323



Mortise Locks with Deadbolt

Operation: This deadbolt solution offers two modes of functionality; night latch and lockout. (Functional operation modes described below.)



4-7/8" x 1-1/4"
[123.8mm x 31.75mm]

DB Option

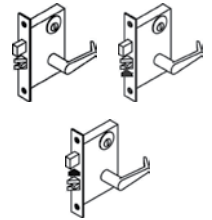
The Deadbolt Solution: Includes all hardware to retain and release all mortise and cylindrical locks with up to a 1" deadbolt

Mode 1: Night latch function. The deadbolt is retracted during traffic hours. The latchbolt is released by the keeper and keeper returns to the locked position.

Mode 2: Lockout function. The electric strike will not release if the deadbolt is extended.

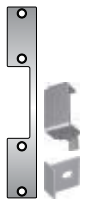
Replaces function of the N, ND, NM, H, HD, HM, HT, and HTD options

ANSI/BHMA Numbers: E09391, E09392, E09393, E09331, E09332, E09333



Mortise Lock with Deadbolt

Operation: This deadbolt solution offers two modes of functionality; night latch and lockout. (functional operation modes described below.)



9" x 1-3/8"
[123.8mm x 34.9mm]

DB-2 Option

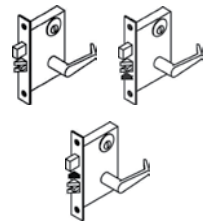
The Deadbolt Solution: Includes all hardware to retain and release all mortise and cylindrical locks with up to a 1" deadbolt. Wood applications.

Mode 1: Night latch function. The deadbolt is retracted during traffic hours. The latchbolt is released by the keeper and keeper returns to the locked position.

Mode 2: Lockout function. The electric strike will not release if the deadbolt is extended.

Replaces the N-2 and H-2 options

ANSI/BHMA Numbers: E09391, E09392, E09393, E09331, E09332, E09333

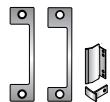


HES 1006 Series Faceplate Options



Mortise Locks
with Deadbolt

Operation: Latchbolt and deadbolt are released by a single keeper. The keeper is held open to recapture the latchbolt and deadbolt when the door is closed.



4-7/8" × 1-1/4"
[123.8mm x
31.75mm]

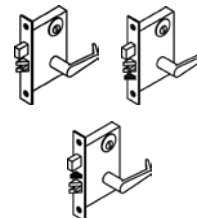
CAS Option

The Continuous Deadbolt Recapture Solution: Includes all hardware to retain, release and recapture all mortise locks and tubular E Option locks with up to a 1" deadbolt.

Mode: Normally extended deadbolt. Latchbolt and deadbolt are released by a single keeper. The keeper is held open to recapture the latchbolt and deadbolt when the door is closed.

Replaces the N, ND, NM, A, AM, AD, T and TD options

ANSI/BHMA Numbers: E09391, E09392, E09393, E09331, E09332, E09333



9" × 1-3/8"
[123.8mm x 34.9mm]

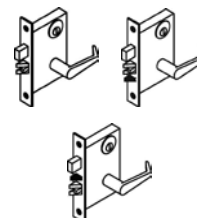
CAS-2 Option

The Deadbolt Solution: Includes all hardware to retain, release and recapture all mortise locks and tubular locks with up to a 1" deadbolt. Wood applications.

Mode: Normally extended deadbolt. Latchbolt and deadbolt are released by a single keeper. The keeper is held open to recapture the latchbolt and deadbolt when the door is closed.

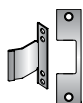
Replaces the N-2, A-2 and T-2 options

ANSI/BHMA Numbers: E09391, E09392, E09393, E09331, E09332, E09333



Specialty
Locksets

Operation: After releasing the latchbolt or deadbolt, the keeper returns to the locked position.

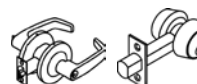


4-7/8" × 1-1/4"
[123.8mm x
31.75mm]

E Option

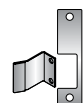
For use with: Corbin Russwin Security Bolt, Weiserbolt and normally extended 1" tubular deadbolts

ANSI/BHMA Numbers: E09391, E09392, E09393



Specialty
Locksets

Operation: The hookbolt is released by a single keeper. The keeper is held open to recapture the latchbolt and hookbolt when the door is closed.



4-7/8" × 1-1/4"
[123.8mm x
31.75mm]

R Option

For use with: Adams Rite style hookbolt up to 1" throw

ANSI/BHMA Numbers: E09391, E09392, E09393, E09332, E09333



"For use with" information is offered as a recommendation only. Reference should be made to the lockset manufacturer for proper installation instructions necessary to meet compatibility requirements.

HES 1006 Series Faceplate Options



Operation: After releasing the latchbolt, the keeper returns to the locked position.



4-7/8" x 1-1/4"
[123.8mm x 31.75mm]

Z Option

For use with: Unit and Mono locks
ANSI/BHMA Numbers: E09321, E09322, E09323



Operation: After releasing the latchbolt, the keeper returns to the locked position.



9" x 1-3/8"
[123.8mm x 34.9mm]

J-2 Option

For use with: All cylindrical locks up to a 3/4" [19mm] latchbolt. Wood applications.
ANSI/BHMA Numbers: E09321, E09322, E09323



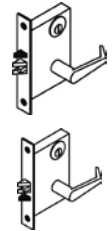
Operation: After releasing the latchbolt, the keeper returns to the locked position.



9" x 1-3/8"
[123.8mm x 34.9mm]

KM-2 Option

For use with: Mortise locksets up to a 3/4" [19mm] latchbolt. Wood applications.
ANSI/BHMA Numbers: E09321, E09322, E09323



Operation: After releasing the latchbolt, the keeper returns to the locked position.



4-7/8" x 1-1/4"
[123.8mm x 31.75mm]

J Option

For use with: Cylindrical locksets up to 3/4" [19mm] throw and all locksets with center-lined bolts.
Compatible locksets: All brands of cylindrical latchbolts
ANSI/BHMA Numbers: E09321, E09322, E09323



"For use with" information is offered as a recommendation only. Reference should be made to the lockset manufacturer for proper installation instructions necessary to meet compatibility requirements.

HES 1006 Series Faceplate Options



Operation: After releasing the latchbolt, the keeper returns to the locked position.



4-7/8" x 1-1/4"
[123.8mm x 31.75mm]

KD Option

For use with: Mortise locksets up to 3/4" [19mm] throw latchbolt.

Compatible locksets: Dorma 9500, Jackson, Sargent (7700 & 8100), Schlage, Yale (8700)

ANSI/BHMA Numbers: E09321, E09322, E09323



4-7/8" x 1-1/4"
[123.8mm x 31.75mm]

KM Option

For use with: Mortise locksets up to 3/4" [19mm] throw latchbolt.

Compatible locksets: Accurate, Arrow, Baldwin, Best, Corbin Russwin, Falcon, Marks, PDQ, Sargent (7800, 8200 & 9200), Yale (8800)

ANSI/BHMA Numbers: E09321, E09322, E09323



Operation: Lockout function. The electric strike will not release if the deadbolt is extended. The deadbolt is retracted during traffic hours. The latchbolt is released by the keeper. The keeper returns to the locked position.



4-7/8" x 1-1/4"
[123.8mm x 31.75mm]

HM Option

For use with: Mortise locksets with a 1" deadbolt.
Strike will not release when deadbolt is extended.

Compatible locksets: Accurate, Arrow, Baldwin, Best, Corbin Russwin, Falcon (45H, 47H, 34H & 37H), Marks, Omnia, PDQ, Sargent (7800, 8200 & 9200), Yale (8800)

ANSI/BHMA Numbers: 09391, E09392, E09393, E09331, E09332, E09333



4-7/8" x 1-1/4"
[123.8mm x 31.75mm]

HTD Option

For use with: Mortise locksets with a 1" deadbolt and no deadlatch or a center positioned deadlatch. Strike will not release when deadbolt is extended.

Compatible locksets: Sargent (7700 & 8100), Schlage, Yale (8700)

ANSI/BHMA Numbers: E09391, E09392, E09393, E09331, E09332, E09333



"For use with" information is offered as a recommendation only. Reference should be made to the lockset manufacturer for proper installation instructions necessary to meet compatibility requirements.

HES 1006 Series Faceplate Options



Mortise Locks with Deadbolt

Operation: Night latch function. The deadbolt is retracted during traffic hours. The latchbolt is released by the keeper and keeper returns to the locked position.



4-7/8" x 1-1/4"
[123.8mm x 31.75mm]

ND Option

For use with: Mortise locksets with a deadbolt used for night latch function only.

Compatible locksets: Sargent (7700 & 8100), Schlage, Yale (8700)

ANSI/BHMA Numbers: E09391, E09392, E09393, E09331, E09332, E09333



4-7/8" x 1-1/4"
[123.8mm x 31.75mm]

NM Option

For use with: Mortise locksets with a deadbolt used for night latch function only.

Compatible locksets: Accurate, Arrow, Baldwin, Best, Corbin Russwin, Falcon (45H, 47H, 34H & 37H), Marks, Omnia, PDQ, Sargent (7800, 8200 & 9200), Yale (8800)

ANSI/BHMA Numbers: E09391, E09392, E09393, E09331, E09332, E09333



The following legacy faceplate options remain available for order. Suggestions are provided below for more versatile options.

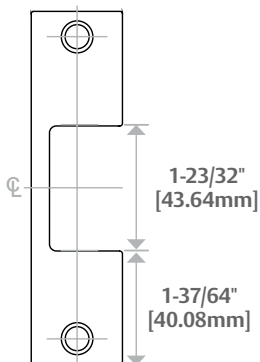
H Option replaced by **HM Option**
HD Option replaced by **HTD Option**
HT Option replaced by **HTD Option**
K Option replaced by **KM Option**
K-2 Option combined into **KM-2 Option**

A-2 Option replaced by **CAS-2 Option**
H-2 Option replaced by **DB-2 Option**
N-2 Option replaced by **DB-2 Option**
T-2 Option replaced by **CAS-2 Option**

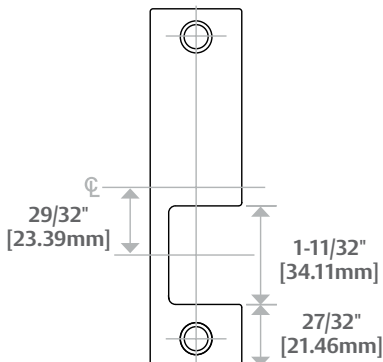
For use with" information is offered as a recommendation only. Reference should be made to the lockset manufacturer for proper installation instructions necessary to meet compatibility requirements.

HES 1006 Series Faceplate Dimensions

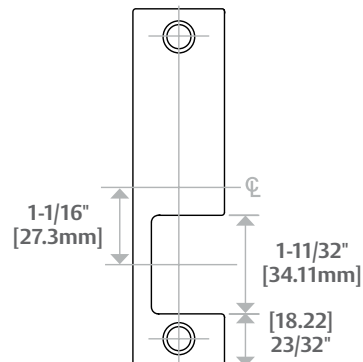
J, E
Faceplate Option



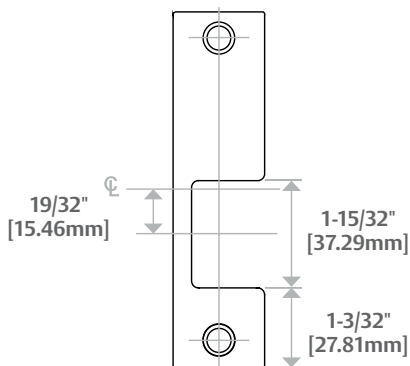
K
Faceplate Option



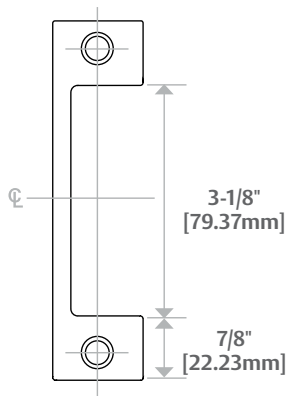
KD
Faceplate Option



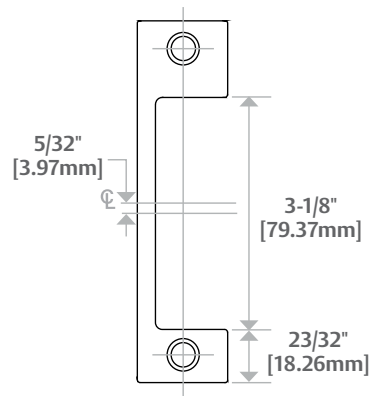
KM
Faceplate Option



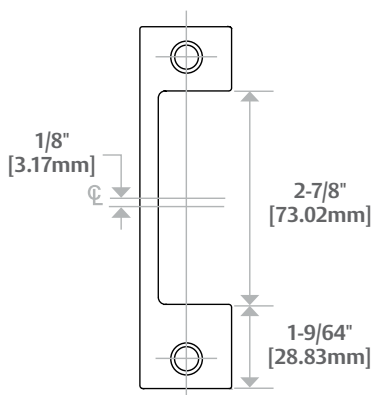
H, HT, N
Faceplate Option



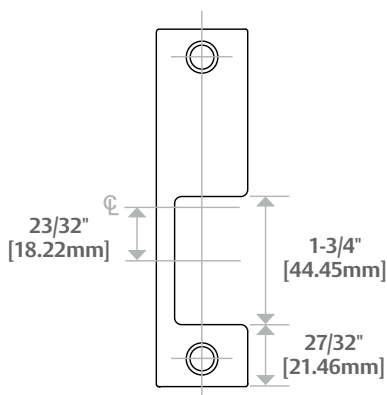
HD, ND
Faceplate Option



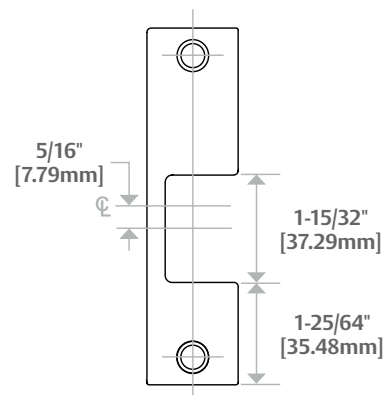
HM, NM
Faceplate Option



R
Faceplate Option

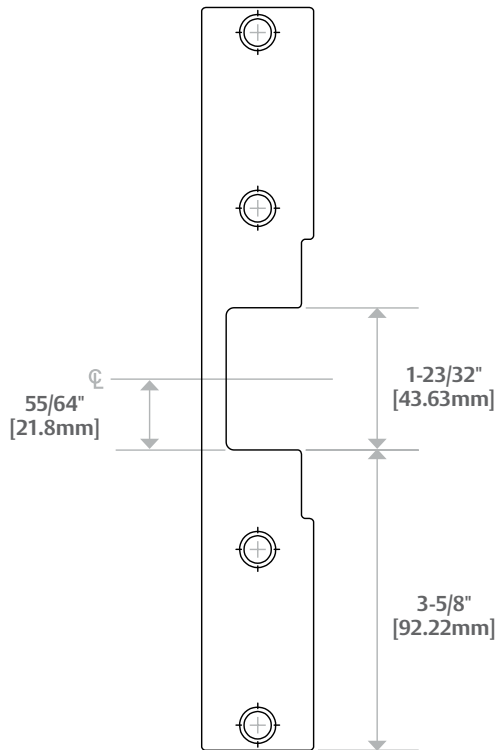


Z
Faceplate Option

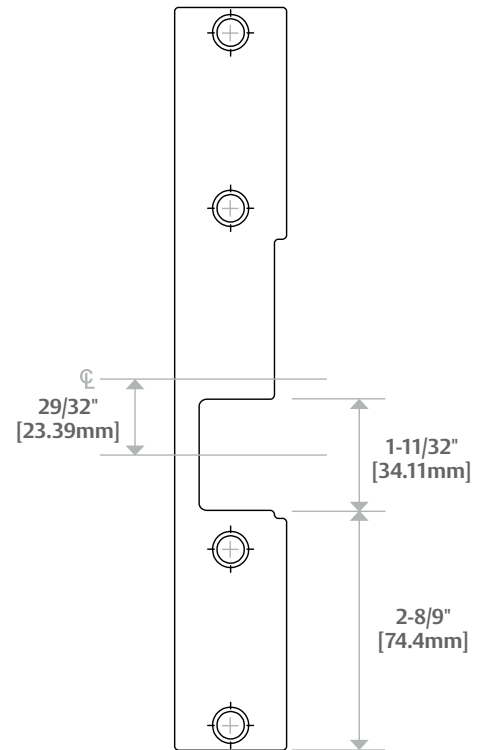


HES 1006 Series Faceplate Dimensions

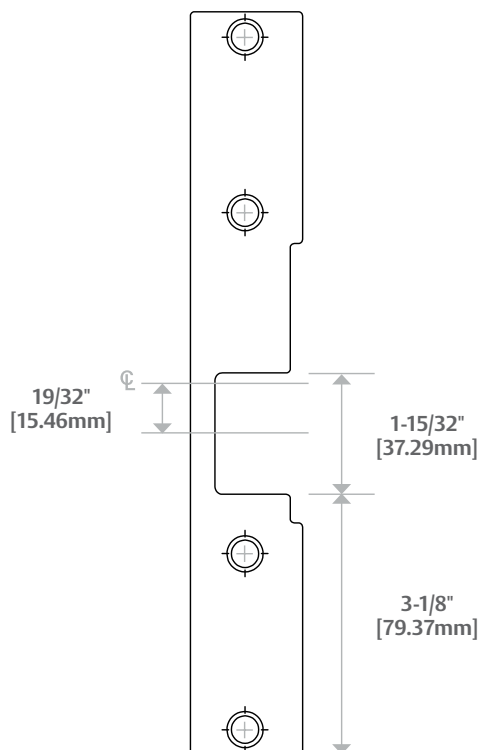
J-2
Faceplate Option



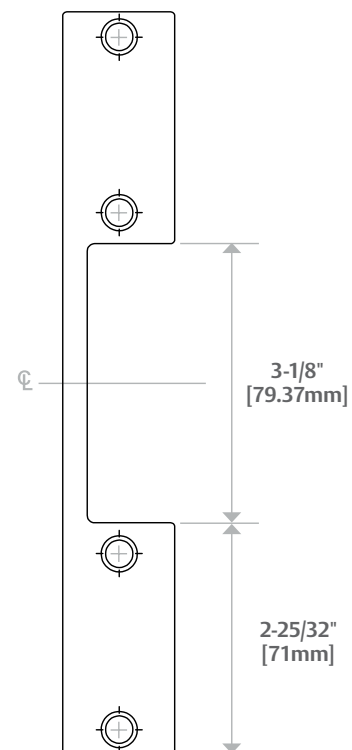
K-2
Faceplate Option



KM-2
Faceplate Option



N-2, H-2
Faceplate Option



HES[®] 1500 Electric Strike

Works with all brands of cylindrical and mortise locksets without a deadbolt

Also available in a Complete One Box Solution



The most advanced, modular electric strike that works with every brand of cylindrical or mortise locks designed to work with a 4-7/8" strike plate.

The HES 1500 Series Electric Strike sets a new standard in the industry by offering dynamic integrated adjustability and field configurable options compatible with any cylindrical or mortise lock. The modular design of the platform makes stocking and installing easier with interchangeable faceplates and accessories. For the first time, the aesthetics of an electric strike are complementary to other surrounding door hardware and blend in with the opening due to the fully finished design, available in seven finishes.

Features

Standard Features

- Stainless steel construction
- Tamper resistant
- Static strength 1,500 lbs
- Dynamic strength 70 ft-lbs
- Endurance 1 million cycles
- Field selectable fail safe/fail secure
- Non-handed
- Interchangeable faceplates and accessories
- Field replaceable components
- Fully finished faceplate, keeper, case and trim
- Field adjustable integrated shim
- Strike body depth 1-3/8" [34.9mm]
- SecuriCare ten-year, no-fault, no questions asked warranty

Optional Features

- **LM** Lock monitor
- **DLM** Dual lock monitors
- **LMS** Lock monitor and strike monitor
- **DLMS** Dual lock monitors and strike monitor

Accessories

- **157** Torx screws
- **HES-CUT-MTK** Metal template kit
- **1500-104-xxx** Lip extension trim adapter (finish to match)
- **1500-106-xxx** 4500 adapter and trim enhancer kit (finish to match)
- **OPT-1SRK** Spring replacement kit
- **OPT-1LM** Single lock monitor
- **OPT-1DLM** Dual lock monitors
- **MOD-1SOL** Solenoid replacement module

For easy 3D instructions, download the BILT mobile app



Grade 1



SecuriCare
Warranty



Mortise Locks
without
Deadbolt



Cylindrical
Locksets



Field Selectable
(Fail secure
/Fail safe)



Dual Voltage
12/24



PoE
Friendly



Fire Rated



Windstorm
Resistant



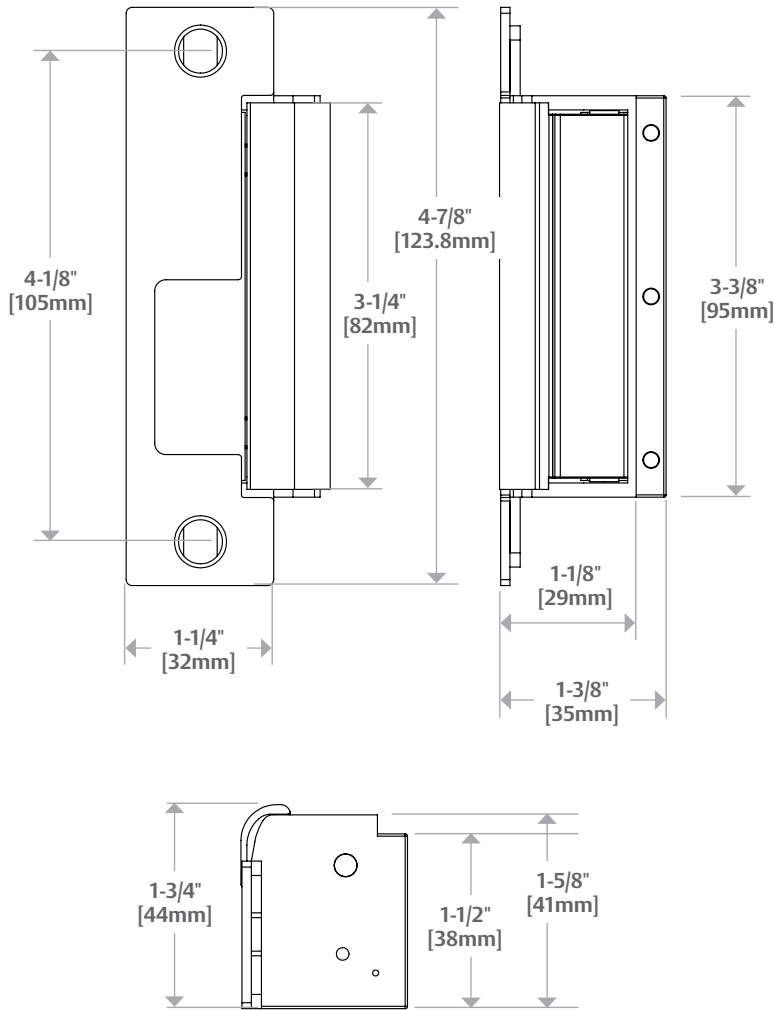
Outdoor
Rated



Burglary
Rated

HES 1500 Electric Strike

Dimensions



Specifications

Certifications

- ANSI/BHMA A156.31, Grade 1
- UL 1034 burglary-resistant listed and suitable for outdoor use
- UL 294 listed
- RoHS compliant
- UL 10C fire rated, 3-hour single door (fail secure only)
- UL 10C fire rated, 1-1/2 hour double door (fail secure only)
- CAN/ULC-S104 fire door conformant
- NFPA-252 fire door compliant
- ASTM-E152 fire door compliant
- California Fire Marshal listed
- ANSI/SDI A250.13 windstorm resistant
- Florida Building Code approved TAS 201, 202, 203
- ANSI-ASTM E330
- Sustainability documentation

Frame Application

- Metal
- Wood

Electrical (DC Continuous Duty)

- Dual voltage 12/24 VDC/VAC
- 240 mA at 12 VDC/120 mA at 24 VDC
- PoE friendly

How to Order

Series	Model	Finish*	Option (s)
1500	—	— 630	— LM
1500 Universal Electric Strike; faceplate option kits ordered separately	C* Complete Electric Strike; includes 1LB faceplate kit for latchbolts	605 Bright Brass 606 Satin Brass 612 Satin Bronze 613 Bronze Toned 613E Dark Oxidized Satin Bronze Powder 629 Bright Stainless Steel 630 Satin Stainless Steel BSP Black Suede Powder	LM Lock Monitor DLM Dual Lock Monitor LMS Lock Monitor and Strike Monitor DLMS Dual Lock Monitors and Strike Monitor

*Complete Pacs are only available in the 630 finish

NOTE: Electric strike compatibility is determined at time of electric strike product release. ASSA ABLOY is not responsible for incompatibility of products that have changed in design or craftsmanship by their respective manufacturers. When compatibility is a concern, contact Customer Support for application assistance.

HES[®] 1600 Electric Strike

Works with all brands of cylindrical and mortise locksets, with or without a deadbolt



Also available in a Complete One Box Solution

The HES 1600 Series electric strike accommodates up to a 1" deadbolt with enhanced vertical cavity spacing.

The HES 1600 Series Electric Strike sets a new standard in the industry by offering dynamic integrated adjustability and field configurable options compatible with any cylindrical or mortise lock. The modular design of the platform makes stocking and installing easier with interchangeable faceplates and accessories. For the first time, the aesthetics of an electric strike are complementary to other surrounding door hardware and blend in with the opening due to the fully finished design, available in seven finishes.

Features

Standard Features

- Stainless steel construction
- Tamper resistant
- Static strength 1,500 lbs
- Dynamic strength 70 ft-lbs
- Endurance 1 million cycles
- Field selectable fail safe/fail secure
- Non-handed
- Interchangeable faceplates and accessories
- Field replaceable components
- Fully finished faceplate, keeper, case and trim
- Field adjustable integrated shim
- Strike body depth 1-5/8" [41.3mm]
- SecuriCare ten-year, no-fault, no questions asked warranty

Optional Features

- **LM** Lock monitor
- **DLM** Dual lock monitors
- **LMS** Lock monitor and strike monitor
- **DLMS** Dual lock monitors and strike monitor

Accessories

- **157** Torx screws
- **HES-CUT-MTK** Metal template kit
- **1600-104-xxx** Lip extension trim adapter (finish to match)
- **1600-106-xxx** 1006 adapter and trim enhancer kit (finish to match)
- **OPT-1SRK** Spring replacement kit
- **OPT-1LM** Single lock monitor
- **OPT-1DLM** Dual lock monitors
- **MOD-1SOL** Solenoid replacement module

For easy 3D instructions, download the BILT mobile app



Grade 1



SecuriCare
Warranty



Mortise Locks
with Deadbolt



Mortise Locks
without
Deadbolt



Cylindrical
Locksets



Field Selectable
(Fail secure
/Fail safe)



Dual Voltage
12/24



PoE
Friendly



Fire Rated



Windstorm
Resistant



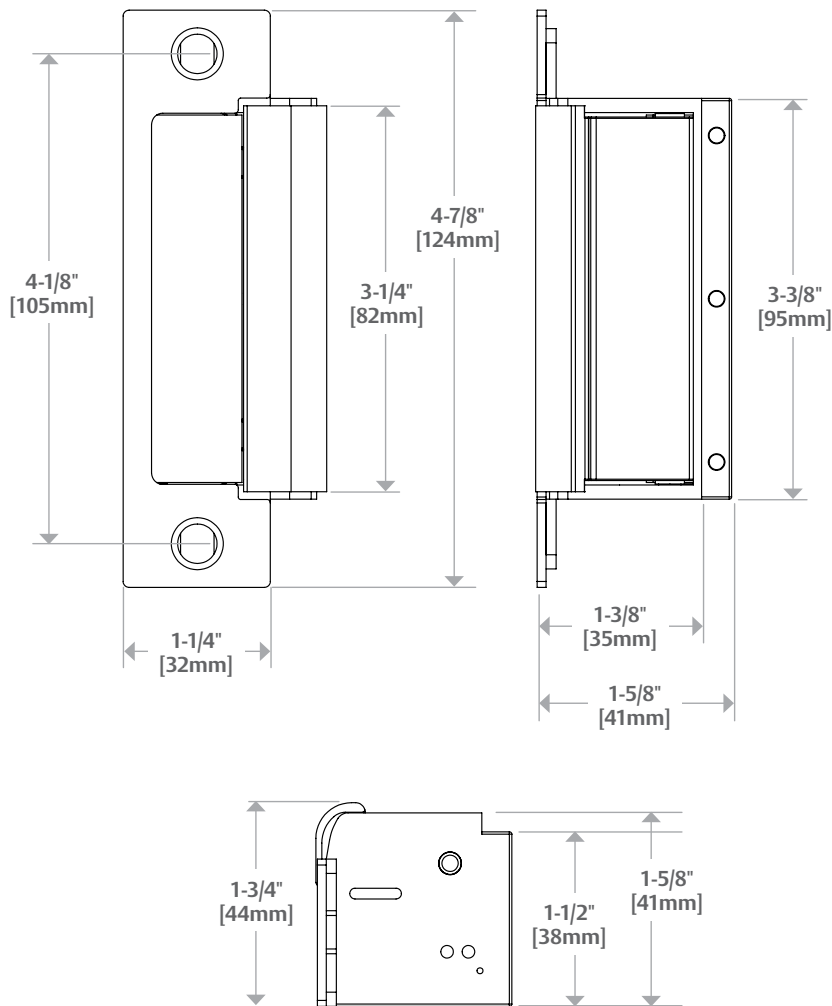
Outdoor
Rated



Burglary
Rated

HES 1600 Electric Strike

Dimensions



Specifications

Certifications

- ANSI/BHMA A156.31, Grade 1
- UL 1034 burglary-resistant listed and suitable for outdoor use
- UL 294 listed
- RoHS compliant
- UL 10C fire rated, 3-hour single door (fail secure only)
- UL 10C fire rated, 1-1/2 hour double door (fail secure only)
- CAN/ULC-S104 fire door conformant
- NFPA-252 fire door compliant
- ASTM-E152 fire door compliant
- California Fire Marshal listed
- ANSI/SDI A250.13 windstorm resistant
- Florida Building Code approved TAS 201, 202, 203
- ANSI-ASTM E330

Frame Application

- Metal
- Wood

Electrical (DC Continuous Duty)

- Dual voltage 12/24 VDC/VAC
- 240 mA at 12 VDC/120 mA at 24 VDC
- PoE friendly

How to Order

Series	Model	Finish*	Option (s)
1600	- CS	- 630	- LM
1600 Universal Electric Strike; Faceplate option kits ordered separately	CS* Complete Electric Strike; includes 1LB faceplate kit for latchbolts and 1DB faceplate kit for deadbolts	605 Bright Brass 606 Satin Brass 612 Satin Bronze 613 Bronze Toned	LM Lock Monitor DLM Dual Lock Monitor LMS Lock Monitor and Strike Monitor
	CLB* Complete Electric Strike for Latchbolt Locks; includes 1LB faceplate kit for latchbolts	613E Dark Oxidized Satin Bronze Powder 629 Bright Stainless Steel 630 Satin Stainless Steel	DLMS Dual Lock Monitors and Strike Monitor
	CDB* Complete Electric Strike for Deadbolt Locks; includes 1DB faceplate kit for deadbolts	BSP Black Suede Powder	OPT-1LM Single Lock Monitor OPT-1DLM Dual Lock Monitors

*Complete Pacs are only available in the 630 finish

NOTE: Electric strike compatibility is determined at time of electric strike product release. ASSA ABLOY is not responsible for incompatibility of products that have changed in design or craftsmanship by their respective manufacturers. When compatibility is a concern, contact Customer Support for application assistance.

HES 1500C Complete Electric Strike

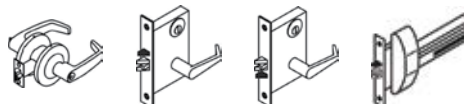
For all cylindrical and mortise locksets with 3/4" latchbolt.

The HES 1500C includes a HES 1500 electric strike body and the 1LB faceplate kit for latchbolts.

1J Option 1KM Option

1K Option 1KD Option

Compatible Locksets



HES 1600CLB Complete for Latchbolt Locks

The Complete One Box Solution for all cylindrical and mortise locksets.

The HES 1600CLB includes a HES 1600 electric strike body and the 1LB faceplate kit for latchbolts.

1J Option 1KM Option

1K Option 1KD Option

Compatible Locksets



HES 1600CS Complete Electric Strike

The Complete One Box Solution for all cylindrical and mortise locksets, with or without a 1" deadbolt.

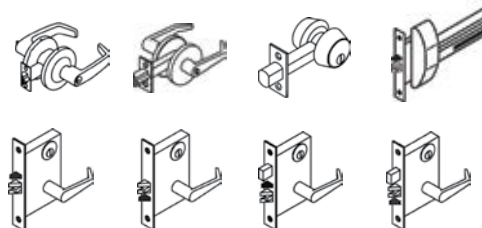
The HES 1600CS includes a HES 1600 electric strike body, the 1LB faceplate kit for latchbolts and the 1DB faceplate kit for deadbolts.

1J Option 1KD Option 1ND Option

1K Option 1N Option 1NTD Option

1KM Option 1NM Option

Compatible Locksets



HES 1600CDB Complete for Deadbolt Locks

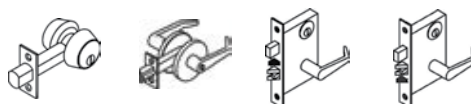
The Complete One Box Solution for all locksets with a 1" deadbolt.

The HES 1600CDB includes a HES 1600 electric strike body and the 1DB faceplate kit for deadbolts.

1N Option 1ND Option

1NM Option 1NTD Option

Compatible Locksets



HES 1500 & 1600 Series Faceplate Options



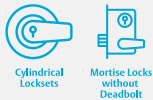
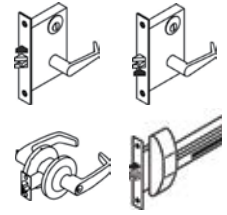
Operation: After releasing the latchbolt, the keeper returns to the locked position.



4-7/8" × 1-1/4"
[123.8mm x 31.75mm]

1LB Option

The Latchbolt Solution: Includes the hardware to accommodate every cylindrical and mortise lock up to a 3/4" [19mm] latchbolt. For metal frame applications.



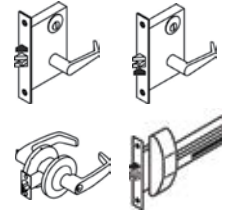
Operation: After releasing the latchbolt, the keeper returns to the locked position.



9" × 1-3/8"
[123.8mm x 34.9mm]

1LB-2 Option

The Latchbolt Solution: Includes the hardware to accommodate every cylindrical and mortise lock up to a 3/4" [19mm] latchbolt. For wood frame applications.



Operation: This deadbolt solution offers two modes of functionality; night latch and lockout. (Functional operation modes described below.)



4-7/8" × 1-1/4"
[123.8mm x 31.75mm]

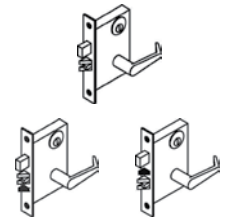
1DB Option (HES 1600 Only)

The Deadbolt Solution: Includes all hardware to retain, and release all mortise locks, and tubular deadbolts up to a 1" latchbolt. For metal frame applications.

Mode 1: Night latch function. The deadbolt is retracted during traffic hours.

The latchbolt is released by the keeper and keeper returns to the locked position.

Mode 2: Lockout function. The electric strike will not release if the deadbolt is extended.



Operation: This deadbolt solution offers two modes of functionality; night latch and normally extended deadbolt. (Functional operation modes described below.)



9" × 1-3/8"
[123.8mm x 34.9mm]

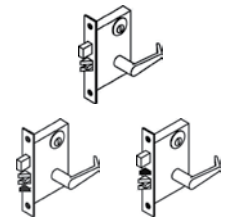
1DB-2 Option (HES 1600 Only)

The Deadbolt Solution: Includes all hardware to retain, and release all mortise locks, and tubular deadbolts up to a 1" latchbolt. For wood frame applications.

Mode 1: Night latch function. The deadbolt is retracted during traffic hours.

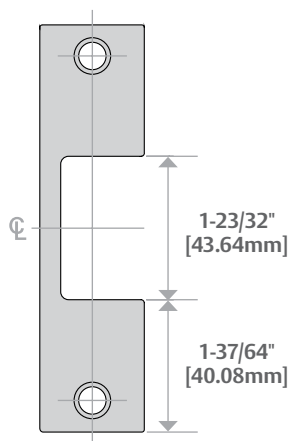
The latchbolt is released by the keeper and keeper returns to the locked position.

Mode 2: Lockout function. The electric strike will not release if the deadbolt is extended.

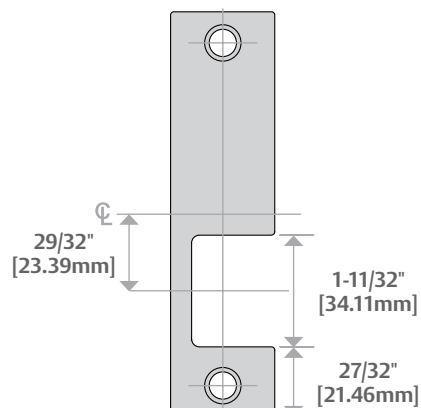


HES 1500 & 1600 Series Faceplate Dimensions

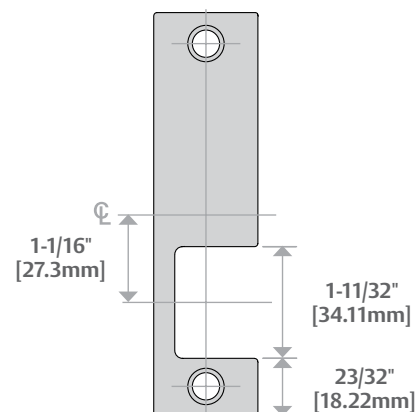
1J
Faceplate Option



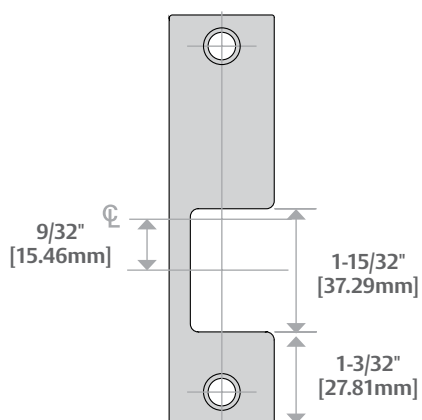
1K
Faceplate Option



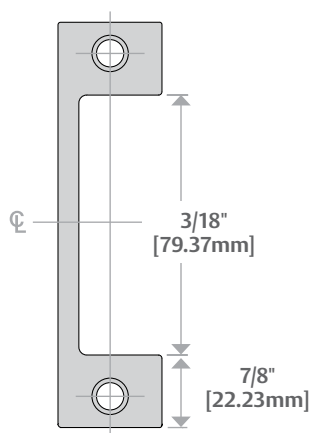
1KD
Faceplate Option



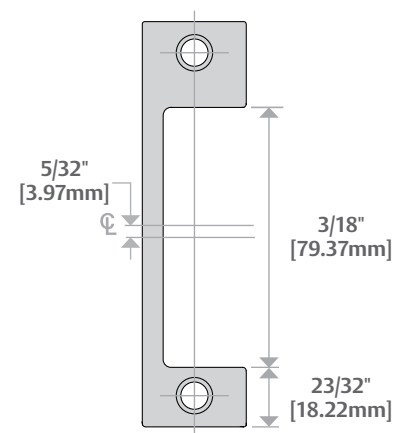
1KM
Faceplate Option



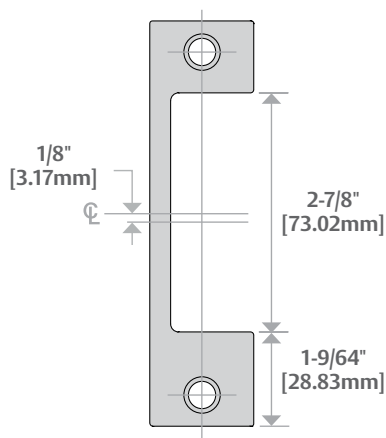
1N
Faceplate Option



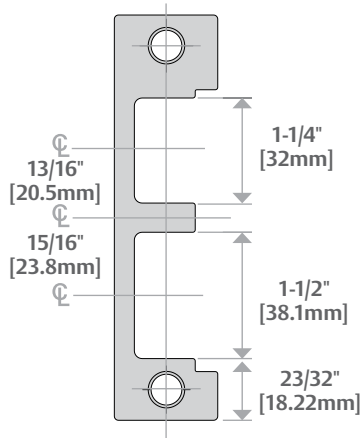
1ND
Faceplate Option



1NM
Faceplate Option

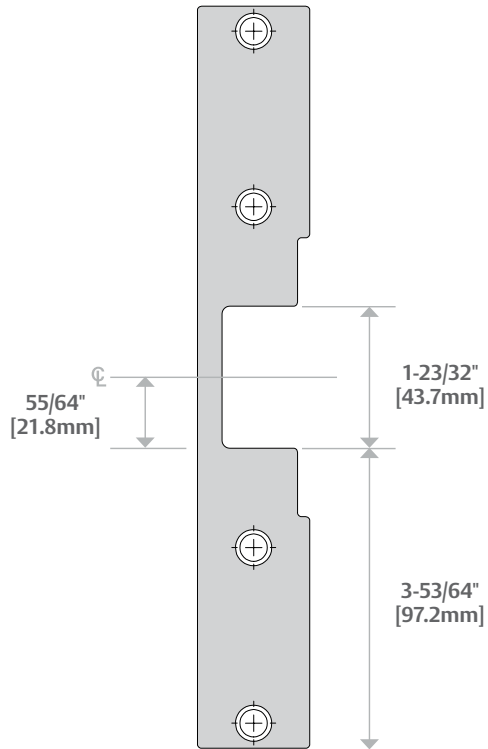


1NTD
Faceplate Option

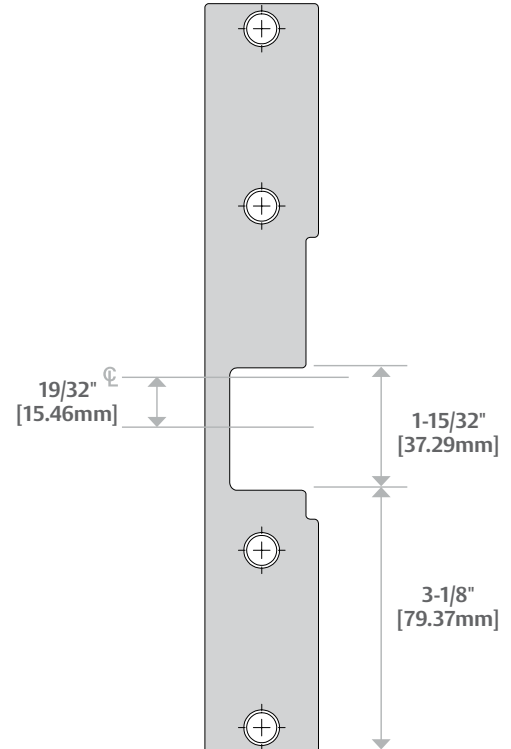


HES 1500 & 1600 Series Faceplate Dimensions

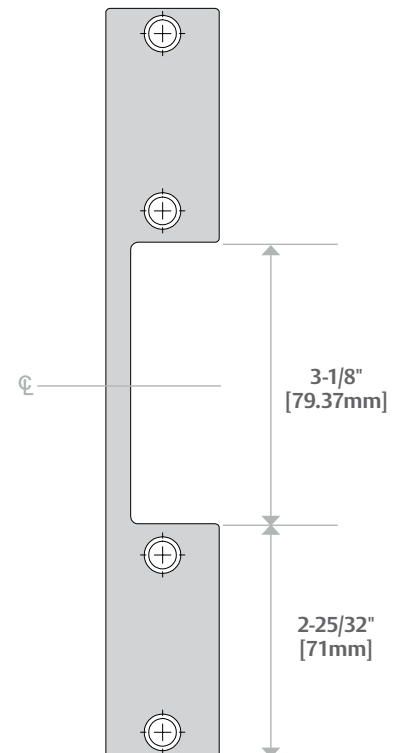
1J-2 Faceplate Option



1KM-2 Faceplate Option



1N-2 Faceplate Option



HES[®] 4500C Electric Strike Complete Pac

Works with cylindrical and mortise locksets up to a 3/4" throw latchbolt



The low profile, heavy-duty, fire rated solution.

The HES 4500C Series Electric Strike is designed to maintain 1/2" drywall penetration even in a 2" UL 10C fire rated frame. The HES 4500C features a low profile 1-3/8" depth and heavy-duty stainless steel construction. Its strength is derived from a unique keeper pin locking design, enabling the HES 4500C to exceed the ratings of the frame, door and locking hardware. The HES 4500C includes two faceplates designed to accommodate either cylindrical or mortise locksets up to a 3/4" throw latchbolt.

Features

Standard Features

- Stainless steel construction
- Tamper resistant
- Static strength 1,500 lbs
- Dynamic strength 100 ft-lbs
- Endurance 1 million cycles
- Field selectable fail safe/fail secure
- Two faceplates provided to accommodate a variety of locksets
- Non-handed
- Internally mounted solenoid
- Accommodates up to a 3/4" [19mm] latchbolt
- Strike body depth 1-3/8" [34.9mm]
- Plug-in connector
- Trim enhancer
- Full keeper shims for horizontal adjustment
- SecuriCare five-year, no-fault, no questions asked warranty (Addition of HES SMART Pac[®] III extends the warranty to 10 years)

Optional Features

- **LBM** Latchbolt monitor
- **LBSM** Latchbolt strike monitor

Accessories

- **4500-105** Trim enhancer - black
- **4500-110** Replacement strike plate
- **4500-131** Filler block – 7/16" [11mm]
- **150** Strike latch guard
- **HES-CUT-MTK** Metal template kit
- **2001M** Plug-in bridge rectifier
- **2004M** ElectroLynx[®] adapter
- **2005M3** SMART Pac[®] III
- **2006M** Plug-in buzzer
- **4501-1/2** 1/2" [12.7mm] stackable lip extension
- **4501-1** 1" [25.4mm] stackable lip extension



Grade 1

SecuriCare
WarrantyMortise Locks
without
DeadboltCylindrical
LocksetsField Selectable
(Fail secure
/Fail safe)Dual Voltage
12/24PoE
Friendly

Fire Rated

Burglary
Rated

HES 4500C Electric Strike Complete Pac

Dimensions

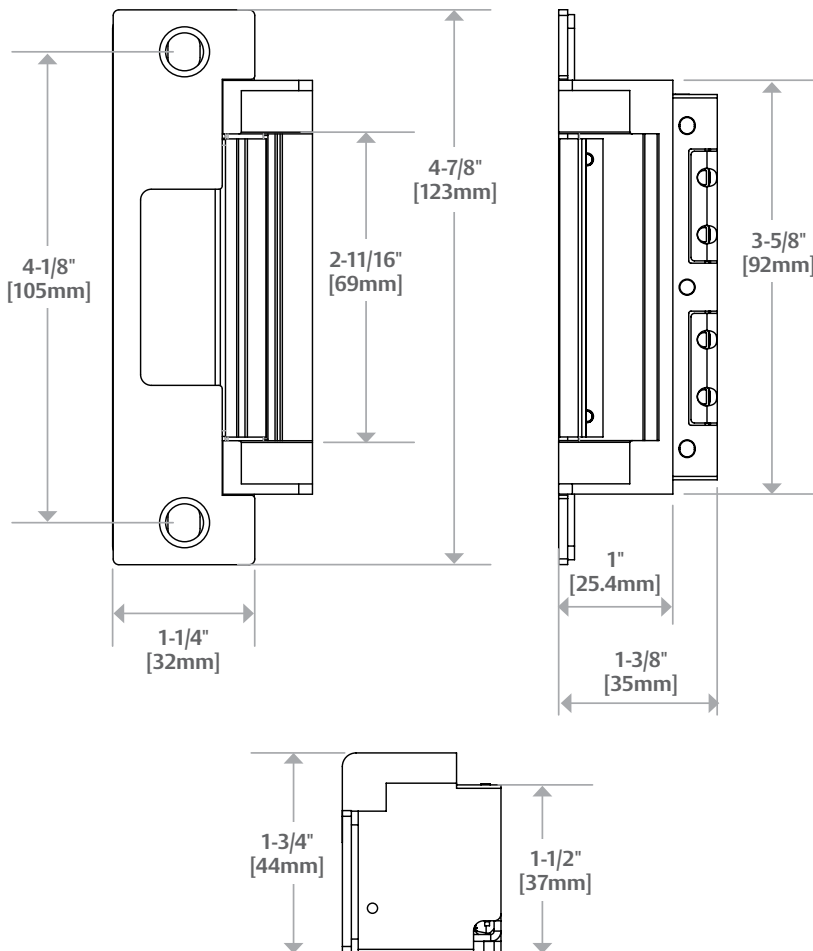


Diagram shown with cylindrical faceplate

Specifications

Certifications

- ANSI/BHMA A156.31, Grade 1
- UL 1034 burglary-resistant listed
- UL 294 listed
- UL 10C fire rated, 3-hour (fail secure only)
- CAN/ULC-S104 fire door conformant
- NFPA-252 fire door compliant
- ASTM-E152 fire door compliant
- California Fire Marshal listed

Frame Application

- Metal

Electrical (DC Continuous Duty)

- Dual voltage 12/24 VDC/VAC
- 240 mA at 12 VDC/120 mA at 24 VDC
- PoE friendly

How to Order

Series	Finish	Option (s)
4500C	- 630	- LBM
4500C Complete Electric Strike; includes faceplates for cylindrical and mortise locks	605 Bright Brass	LBM Latchbolt Monitor
	606 Satin Brass	LBSM Latchbolt Strike Monitor
	612 Satin Bronze	
	613 Bronze Toned	
	629 Bright Stainless Steel	
	630 Satin Stainless Steel	

NOTE: Electric strike compatibility is determined at time of electric strike product release. ASSA ABLOY is not responsible for incompatibility of products that have changed in design or craftsmanship by their respective manufacturers. When compatibility is a concern, contact Customer Support for application assistance.

HES[®] 5000 Electric Strike

Works with cylindrical locksets
up to a 5/8" throw latchbolt

Also available in
a Complete One
Box Solution



The Grade 1, low-profile solution for cylindrical locksets.

The HES 5000 Series Electric Strike is a compact, high performance electric strike designed for low profile openings where there is limited space behind the jamb. Its strength is derived from a unique keeper pin locking design, enabling the HES 5000 to exceed the ratings of the frame, door and locking hardware. This field selectable fail safe/fail secure unit is easy to install and accommodates latchbolts up to 5/8" throw.

Features

Standard Features

- Tamper resistant
- Static strength 1,500 lbs
- Dynamic strength 70 ft-lbs
- Endurance 1 million cycles
- Field selectable fail safe/fail secure
- Non-handed
- Internally mounted solenoid
- Accommodates 1/2" – 5/8" [12.7mm – 15.9mm] latchbolt (5/8" [15.9mm] with 1/8" [3.2mm] door gap)
- Strike body depth 1-1/16" [27.3mm]
- Plug-in connector
- Trim enhancer included
- SecuriCare five-year, no-fault, no questions asked warranty (Addition of HES SMART Pac[®] III extends the warranty to 10 years)

Optional Features

- **LBM** Latchbolt monitor

Accessories

- **150** Strike latch guard
- **HES-CUT-MTK** Metal template kit
- **2001M** Plug-in bridge rectifier
- **2004M** ElectroLynx[®] adapter
- **2005M3** SMART Pac[®] III
- **2006M** Plug-in buzzer
- **5104-1/2** 1/2" [12.7mm] stackable lip extension
- **5104-1** 1" [25.4mm] stackable lip extension
- **5104-1-1/4** 1-1/4" [32mm] stackable lip extension



Grade 1



SecuriCare
Warranty



Cylindrical
Locksets



Field Selectable
(Fail secure
/Fail safe)



Dual Voltage
12/24



PoE
Friendly



Outdoor
Rated



Burglary
Rated

HES 5000 Electric Strike

Dimensions

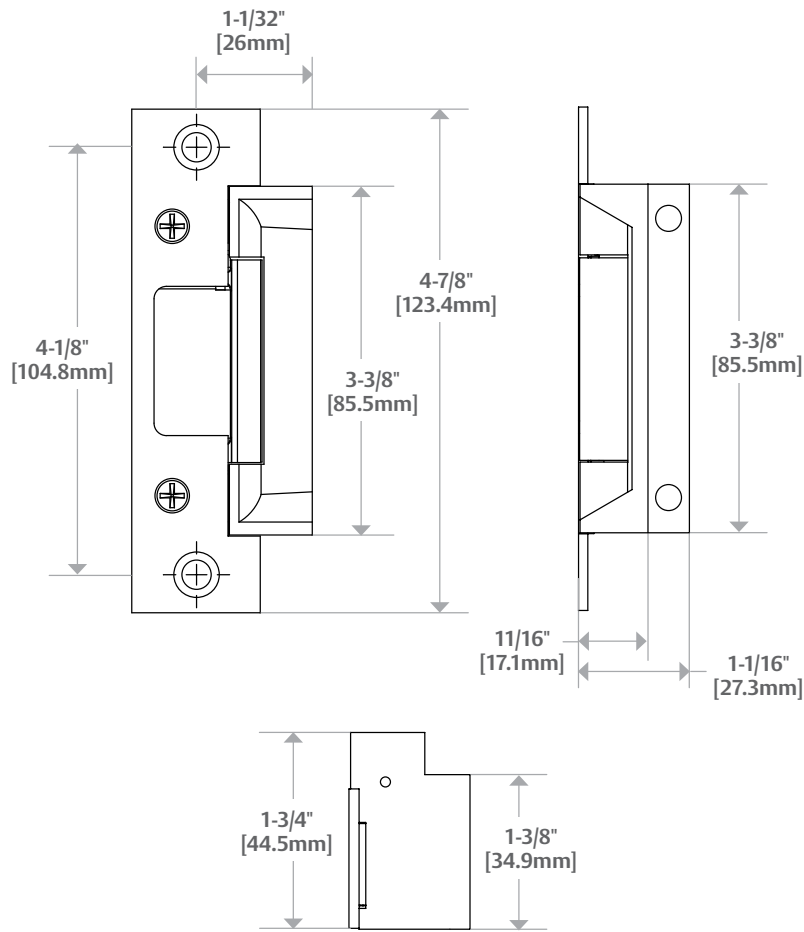


Diagram shown with 501 Option

Specifications

Certifications

- ANSI/BHMA A156.31, Grade 1
- UL 1034 burglary-resistant listed and suitable for outdoor use
- UL 294 listed
- RoHS compliant

Frame Application

- Metal
- Wood

Electrical (DC Continuous Duty)

- Dual voltage 12/24 VDC/VAC
- 240 mA at 12 VDC/120 mA at 24 VDC
- PoE friendly

How to Order

Series	Model	Finish	Option (s)
5000	—	— 630	— LBM
5000 Universal Electric Strike; faceplates ordered separately	C* Complete Electric Strike; includes the 501 and 501A faceplates	605 Bright Brass 606 Satin Brass 612 Satin Bronze 613 Bronze Toned 629 Bright Stainless Steel 630 Satin Stainless Steel BLK Black	LBM Latchbolt Monitor

*Complete Pacs are only available in the 630 finish

NOTE: Electric strike compatibility is determined at time of electric strike product release. ASSA ABLOY is not responsible for incompatibility of products that have changed in design or craftsmanship by their respective manufacturers. When compatibility is a concern, contact Customer Support for application assistance.

HES[®] 5200 Electric Strike

Works with cylindrical locksets
up to a 3/4" throw latchbolt

Also available in
a Complete One
Box Solution



The Grade 1 solution with horizontal adjustability.

The HES 5200 Series Electric Strike features an in-frame horizontal adjustable design to simplify the installation process. This feature allows the installer to easily adjust the electric strike opening to accommodate the horizontal position of the latchbolt after the strike has been installed. This field selectable fail safe/fail secure unit is easy to install and accommodates latchbolts up to 3/4" throw.

Features

Standard Features

- Tamper resistant
- Static strength 1,500 lbs
- Dynamic strength 70 ft-lbs
- Endurance 1 million cycles
- Field selectable fail safe/fail secure
- In-frame horizontal adjustment
- Non-handed
- Internally mounted solenoid
- Accommodates 5/8" – 3/4" [15.9mm – 19mm] latchbolt (3/4" [19mm] with 1/8" [3.2mm] door gap)
- Strike body depth 1-3/16" [30.2mm]
- Plug-in connector
- Trim enhancer included
- SecuriCare five-year, no-fault, no questions asked warranty (Addition of HES SMART Pac[®] III extends the warranty to 10 years)

Optional Features

- **LBM** Latchbolt monitor
- **LBSM** Latchbolt strike monitor

Accessories

- **5200-500** Filler block for retrofit applications
- **150** Strike latch guard
- **HES-CUT-MTK** Metal template kit
- **2001M** Plug-in bridge rectifier
- **2004M** ElectroLynx[®] adapter
- **2005M3** SMART Pac[®] III
- **2006M** Plug-in buzzer
- **5204-1/2** 1/2" [12.7mm] stackable lip extension
- **5204-1** 1" [25.4mm] stackable lip extension
- **5204-1-1/4** 1-1/4" [31.8mm] stackable lip extension



Grade 1



SecuriCare
Warranty



Cylindrical
Locksets



Specialty
Locksets



Field Selectable
(Fail secure
/Fail safe)



Dual Voltage
12/24



PoE
Friendly



Burglary
Rated

HES 5200 Electric Strike

Dimensions

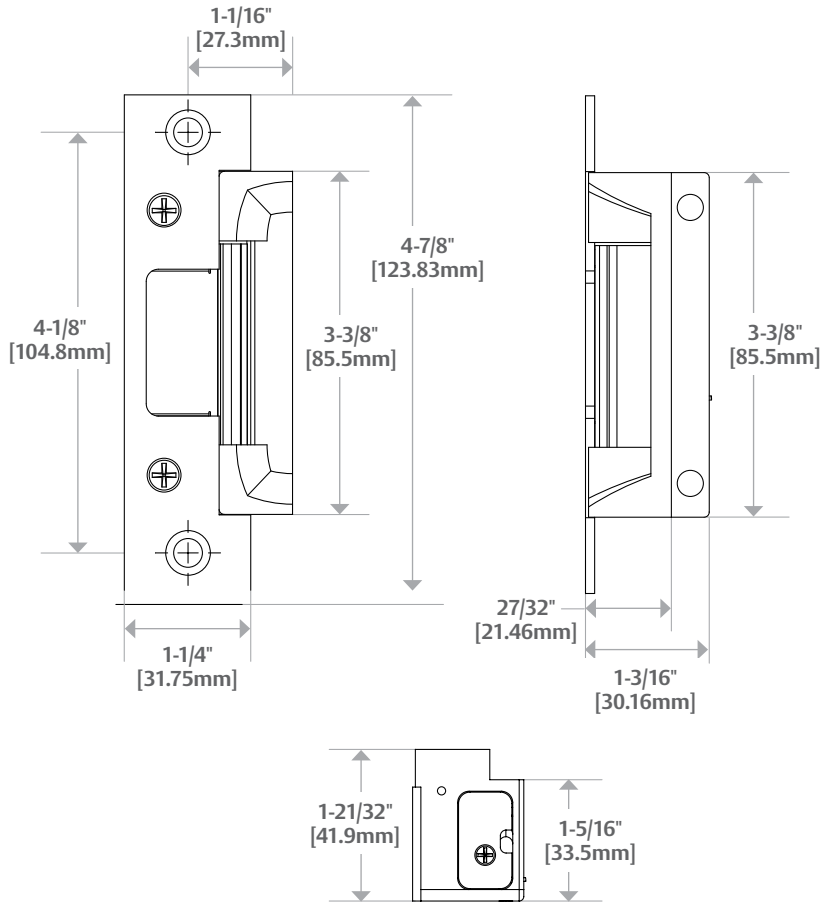


Diagram shown with 501 Option

Specifications

Certifications

- ANSI/BHMA A156.31, Grade 1
- UL 1034 burglary-resistant listed
- UL 294 listed
- RoHS compliant

Frame Application

- Metal
- Wood

Electrical (DC Continuous Duty)

- Dual voltage 12/24 VDC/VAC
- 240 mA at 12 VDC/120 mA at 24 VDC
- PoE friendly

How to Order

Series	Model	Finish	Option (s)
5200	—	— 630	— LBM
5200 Universal Electric Strike; Faceplates ordered separately	C* Complete Electric Strike; includes the 501 and 501A faceplates	605 Bright Brass 606 Satin Brass 612 Satin Bronze 613 Bronze Toned 629 Bright Stainless Steel 630 Satin Stainless Steel BLK Black	LBM Latchbolt Monitor LBSM Latchbolt Strike Monitor

*Complete Pacs are only available in the 630 finish

NOTE: Electric strike compatibility is determined at time of electric strike product release. ASSA ABLOY is not responsible for incompatibility of products that have changed in design or craftsmanship by their respective manufacturers. When compatibility is a concern, contact Customer Support for application assistance.

HES 5000/5200 Series Faceplate Options



Operation: After releasing the latchbolt, the keeper returns to the locked position.



4-7/8" × 1-1/4"
[123.8mm × 31.75mm]
Square corners and flat faceplate

501 Option

For use with: Cylindrical locksets in ANSI metal jambs

ANSI/BHMA Numbers: E09321, E09322, E09323



4-7/8" × 1-1/4"
[123.8mm × 31.75mm]
Radius corners and flat faceplate

501A Option

For use with: Cylindrical locksets or spring latches in aluminum frames. Includes universal mounting tabs.

ANSI/BHMA Numbers: E09321, E09322, E09323



7-15/16" × 1-7/16"
[201.6mm × 36.5mm]
Radius corners and flat faceplate

502 Option

For use with: Cylindrical locksets or spring latches in aluminum frames. Includes universal mounting tabs.

ANSI/BHMA Numbers: E09321, E09322, E09323



6-7/8" × 1-1/4"
[174.6mm × 31.75mm]
Radius corners and flat faceplate

503 Option

For use with: Cylindrical locksets or spring latches in aluminum frames. Includes universal mounting tabs.

ANSI/BHMA Numbers: E09321, E09322, E09323



10" × 1-3/8"
[254mm × 34.9mm]
Radius corners and flat faceplate

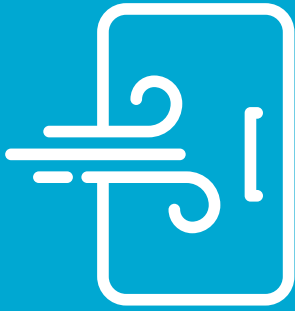
504 Option

For use with: Cylindrical locksets. Four-point mounting for wood installations

ANSI/BHMA Numbers: E09321, E09322, E09323



"For use with" information is offered as a recommendation only. Reference should be made to the lockset manufacturer for proper installation instructions necessary to meet compatibility requirements.



Preload

What is Preload?

When pressure is applied to some models of electric strikes, the solenoid may not have the ability to mechanically release the keeper because the pressure binds it against the latch. Even a small amount of this preload can cause problems in the functioning of some electric strikes. Door preload can prevent the smooth unlocking of the electric strike or even disable a strike – preventing a door from being opened.

Preload and Building Security

An electric strike failing to release when energized is not the only problem preload can cause.

If the power to the electric strike is interrupted, either by accidental or deliberate means, strong preload pressure can cause a strike in fail safe mode not to function.

If a serious preload condition is present when the strike is activated, the pressure will move the door slightly into an open position, leaving the door unlocked and the building vulnerable.

Some of the underlying problems that cause door preload, such as pressure from air conditioning, are not practically or easily corrected.

What Causes Preload?

A number of conditions can cause door preload including:

- Stack pressure caused by HVAC systems
- Misaligned strike and lockset
- Warped wood doors; damaged or bent metal doors
- Thick door seals or heavy weatherstripping

A strike that does not open or opens only intermittently could be showing signs of a preload problem. If preload pressure causes a strike or multiple strikes to malfunction, many access and security issues may arise.

HES[®] 7000 Electric Strike

Works with cylindrical latchbolts up to 5/8" throw and rim exit devices up to a 3/4" throw

Also available in a Complete One Box Solution



The dual, preload solution for cylindrical latchbolts and rim exit devices.

The HES 7000 Series Electric Strike offers two solutions to address preloaded doors. The in-frame adjustable feature allows the installer to easily adjust the electric strike opening to accommodate the horizontal position of the latchbolt after installation.

The preload release function allows the electric strike to operate smoothly throughout the year under varying loads on the door caused by air conditioning pressure, changes in the weather, warped doors or doors with weather stripping that may often bind standard electric strikes. This unit accommodates cylindrical latchbolts up to 5/8" throw and rim exit latchbolts up to 3/4" throw.

Features

Standard Features

- Stainless steel construction
- Tamper resistant
- Static strength 1,500 lbs (791 and 792 options)
- Dynamic strength 70 ft-lbs (791 and 792 options)
- Static strength 1,000 lbs (783S, 786S, and 789S options)
- Dynamic strength 50 ft-lbs (783S, 786S, and 789S options)
- Endurance 1 million cycles
- Field selectable fail safe/fail secure
- Accommodates preload (up to 15 lbs: fail secure only)
- Horizontal adjustment
- Non-handed
- Internally mounted solenoid
- Strike body depth 1-11/16" [42.9mm]
- Plug-in connector
- Trim enhancer (791 and 792 options)
- Pocket adapter (786S and 789S options)
- SecuriCare five-year, no-fault, no questions asked warranty (Addition of HES SMART Pac[®] III extends the warranty to 10 years)

Optional Features

- **LBM** Latchbolt monitor

Accessories

- **7000-SMB** Surface mounting box (783S and 789S options)
- **7000-104** Lip extension trim adapter
- **7000-105** Trim enhancer (goof plate)
- **7000-106** Keeper pocket adapter
- **7000-107** Full keeper shim pack
- **7000-108** 1/8" [3.2mm] spacer plate (783S and 789S options, black finish only)
- **7000-110** Replacement strike plate (791 and 792 option)
- **150** Strike latch guard
- **HESCUT-MTK** Metal template kit
- **2001M** Plug-in bridge rectifier
- **2004M** Electrolynx[®] adapter
- **2005M3** SMART Pac[®] III
- **2006M** Plug-in buzzer
- **791-XXX, 792-XXX** Available in all finishes
- **783S-XXX, 786S-XXX, 789S-XXX** Available in 630, 613E



Grade 1



SecuriCare
Warranty



Cylindrical
Locksets



Rim Exit
Devices



Field Selectable
(Fail secure
/Fail safe)



Dual Voltage
12/24



Preload

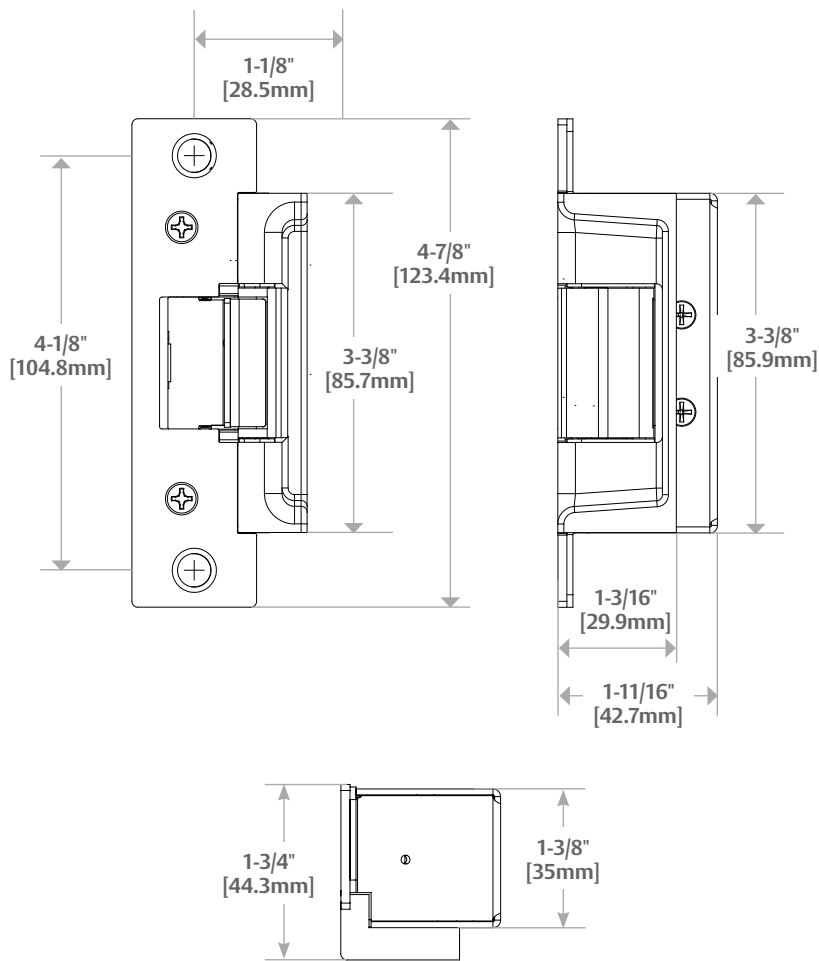


Burglary
Rated



HES 7000 Electric Strike

Dimensions



Specifications

Certifications

- ANSI/BHMA A156.31, Grade 1 (791 & 792 options)
- ANSI/BHMA A156.31, Grade 2 (783S, 786S & 789S options)
- UL 1034 burglary-resistant listed
- UL 294 listed

Frame Application

- Metal
- Wood
- Aluminum

Electrical (DC Continuous Duty)

- Dual voltage 12/24 VDC
- 450 mA at 12 VDC/250 mA at 24 VDC

How to Order

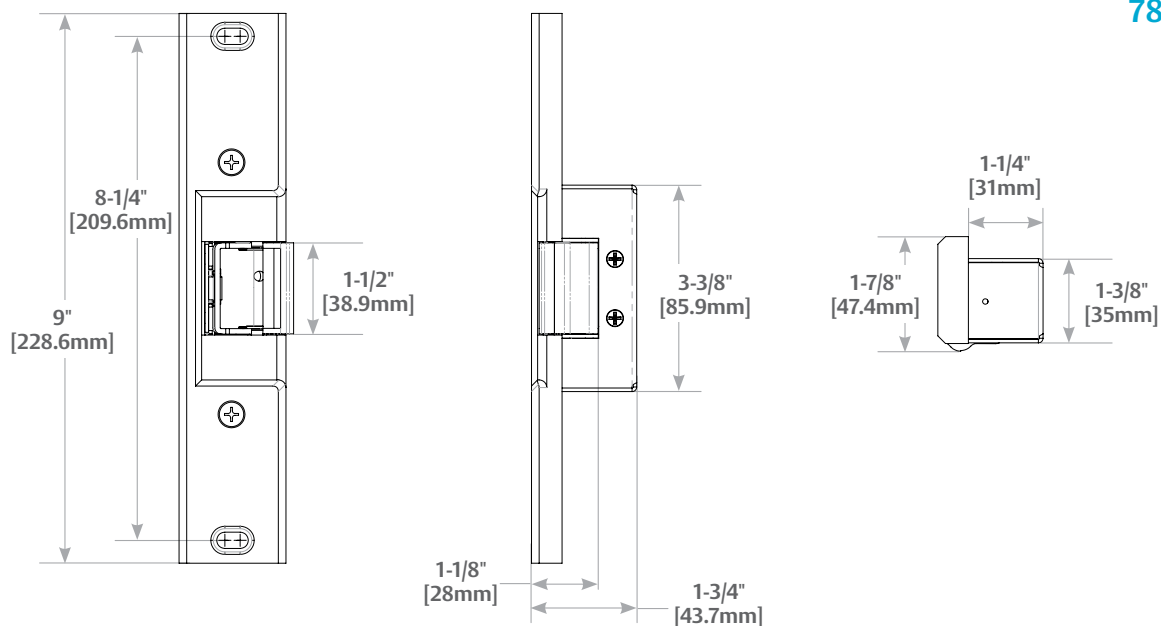
Series	Model	Finish	Option (s)
7000	—	— 630	— LBM
7000 Universal Electric Strike; Faceplates ordered separately	C* Complete Electric Strike; includes the 791 and 792 faceplates	630 Satin Stainless Steel	LBM Latchbolt Monitor

*Complete Pacs are only available in the 630 finish

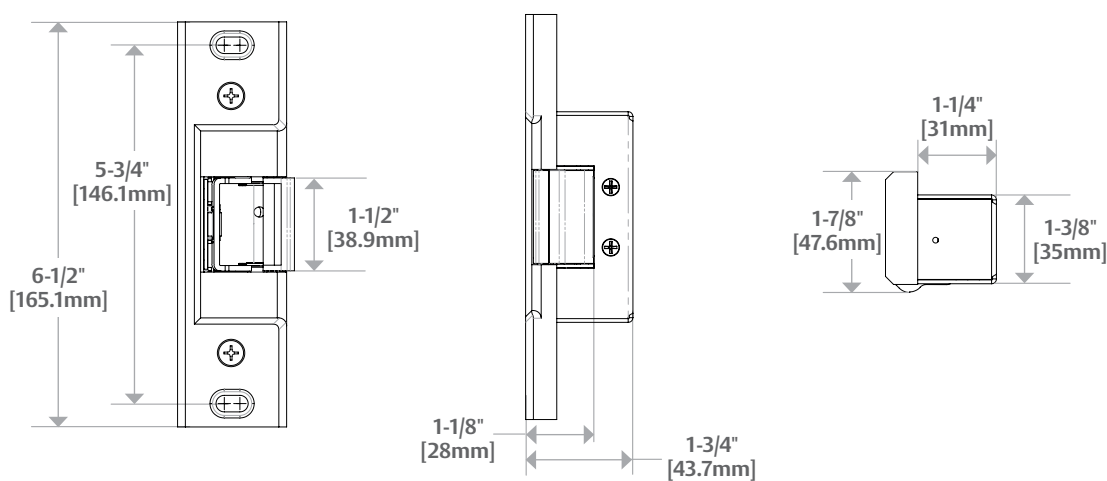
NOTE: Electric strike compatibility is determined at time of electric strike product release. ASSA ABLOY is not responsible for incompatibility of products that have changed in design or craftsmanship by their respective manufacturers. When compatibility is a concern, contact Customer Support for application assistance.

HES 7000 Series Rim Exit Device Options

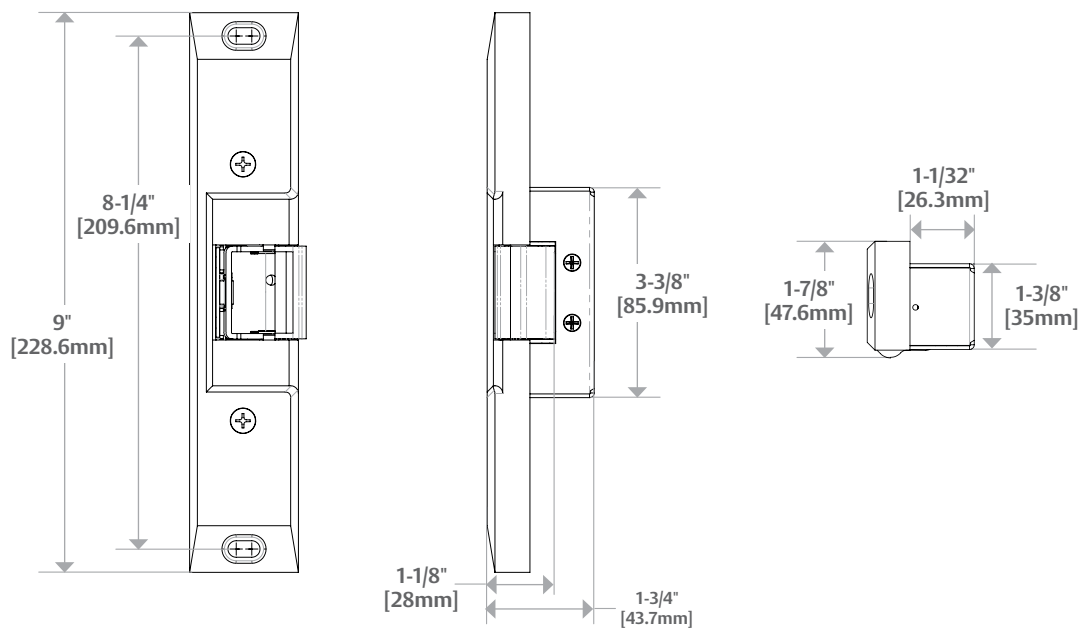
783S Option



786S Option



789S Option



HES 7000 Series Faceplate Options



Cylindrical Locksets

Operation: After releasing the latchbolt, the keeper returns to the locked position.



4-7/8" × 1-1/4"
[123.8mm × 31.75mm]

791 Option

For use with: Cylindrical locksets up to 5/8" [15.9mm] throw

ANSI/BHMA Numbers: E09321, E09322, E09323



1
Grade 1



7-15/16" × 1-7/16"
[201.6mm × 36.5mm]

792 Option

For use with: Cylindrical locksets up to 5/8" [15.9mm] throw

ANSI/BHMA Numbers: E09321, E09322, E09323



1
Grade 1



Rim Exit Devices

Operation: After releasing Pullman latch, the keeper returns to the locked position.



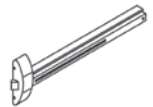
9" × 1-3/4" × 11/16"
[228.6mm × 44.5mm
× 17.5mm]

783S Option

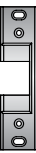
For use with: Rim exit devices in metal jambs with up to a 3/4" [19mm] Pullman latch

Compatible locksets: American Device, Arrow, Dor-O-Matic, Monarch, Precision, Sargent, Von Duprin, Yale

ANSI/BHMA Numbers: E09311, E09312, E09313



2
Grade 2



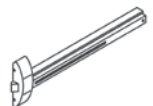
6-1/2" × 1-3/4" × 1/2"
[165.1mm × 44.5mm
× 12.7mm]

786S Option

For use with: Rim exit devices in aluminum jambs and surface mounted vertical rod exit devices with up to a 3/4" [19mm] Pullman latch. Includes keeper pocket adapter.

Compatible locksets: American Device, Arrow, Dor-O-Matic, Jackson, Monarch, Precision, Sargent, Von Duprin, Yale

ANSI/BHMA Numbers: E09311, E09312, E09313



2
Grade 2



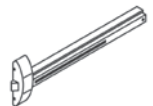
9" × 1-3/4" × 1/2"
[228.6mm × 44.5mm
× 12.7mm]

789S Option

For use with: Rim exit devices in aluminum jambs with up to a 3/4" [19mm] Pullman latch. Includes keeper pocket adapter.

Compatible locksets: American Device, Arrow, Dor-O-Matic, Jackson, Monarch, Precision, Sargent, Von Duprin, Yale

ANSI/BHMA Numbers: E09311, E09312, E09313



2
Grade 2

"For use with" information is offered as a recommendation only. Reference should be made to the lockset manufacturer for proper installation instructions necessary to meet compatibility requirements.

HES[®] 7501 Electric Strike Complete Pac

Works with cylindrical locksets
up to a 3/4" throw latchbolt

Also available in
a Complete One
Box Solution



The Grade 1, fire rated, preload solution.

The HES 7501 Series Electric Strike is ideal for fire rated applications with preload conditions caused by a warped or misaligned door, weather stripping, a smoke seal or any other condition that could cause door bind. The heavy duty stainless steel construction provides the strength and durability required to accommodate fire rated latchbolts up to 3/4" throw.

Features

Standard Features

- Stainless steel construction
- Tamper resistant
- Static strength 1,500 lbs
- Dynamic strength 70 ft-lbs
- Endurance 1 million cycles
- Field selectable fail safe/fail secure
- Accommodates preload (up to 15lbs: fail secure only)
- Non-handed
- Internally mounted solenoid
- Strike body depth 1-11/16" [42.86mm]
- Plug-in connector
- Trim enhancer
- SecuriCare five-year, no-fault, no questions asked warranty (Addition of HES SMART Pac[®] III extends the warranty to 10 years)

Optional Features

- **LBM** Latchbolt monitor

Accessories

- **2001M** Plug-in bridge rectifier
- **2004M** Electrolynx[®] adapter
- **2005M3** SMART Pac[®] III
- **2006M** Plug-in buzzer
- **150** Strike latch guard
- **HES-CUT-MTK** Metal Template Kit



Grade 1



SecuriCare
Warranty



Cylindrical
Locksets



Field Selectable
(Fail secure
/Fail safe)



Dual Voltage
12/24



Fire Rated



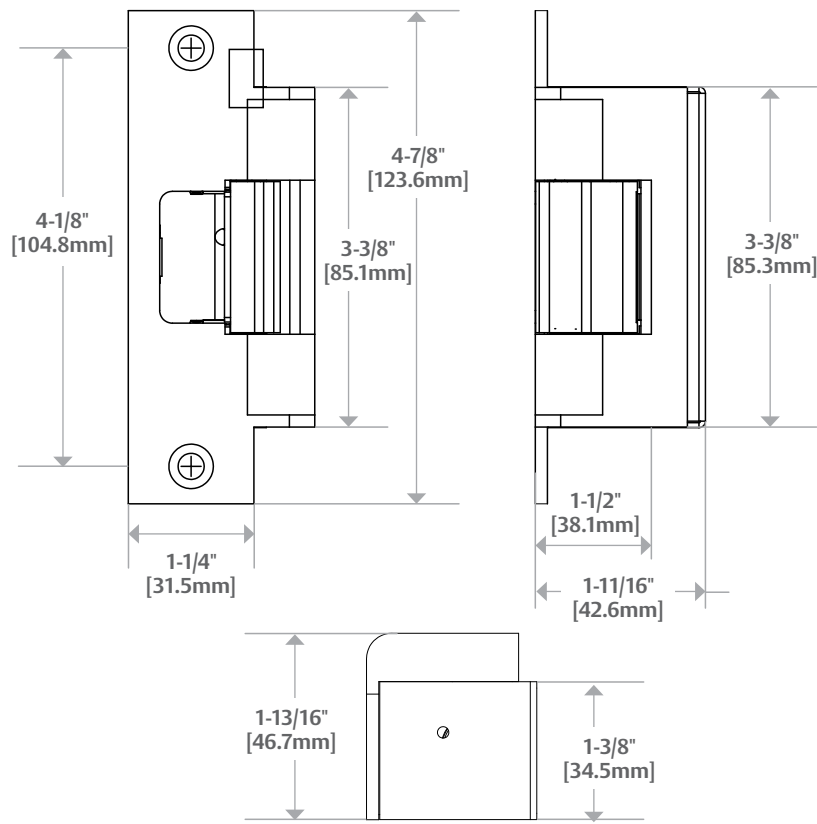
Preload



Burglary
Rated

HES 7501 Electric Strike Complete Pac

Dimensions



Specifications

Certifications

- ANSI/BHMA A156.31, Grade 1
- UL 1034 burglary-resistant listed
- UL 10C fire rated, 3-hour (fail secure only)
- CAN/ULC-S104 fire door conformant
- NFPA-252 fire door compliant
- ASTM-E152 fire door compliant
- UL 294 listed

Frame Application

- Metal

Electrical (DC Continuous Duty)

- Dual voltage 12/24 VDC
- 450 mA at 12 VDC/250 mA at 24 VDC



Operation: After releasing the latchbolt, the keeper returns to the locked position.



4-7/8" x 1-1/4" x 1-11/16"
[123.8mm x 31.75mm x
42.9mm]

HES 7501

For use with: Cylindrical locksets up to a 3/4" [19mm] throw

ANSI/BHMA Numbers: E09321, E09322, E09323



How to Order

Series	Finish	Option(s)
7501	- 630	- LBM
7501 Universal Electric Strike; includes faceplate for cylindrical locksets	605 Bright Brass 606 Satin Brass 612 Satin Bronze 613 Bronze Toned 629 Bright Stainless Steel 630 Satin Stainless Steel	LBM Latchbolt Monitor

NOTE: Electric strike compatibility is determined at time of electric strike product release. ASSA ABLOY is not responsible for incompatibility of products that have changed in design or craftsmanship by their respective manufacturers. When compatibility is a concern, contact Customer Support for application assistance.

HES[®] 8000 Electric Strike

Works with cylindrical locksets and accommodates latchbolts up to 5/8" throw



Also available in a Complete One Box Solution

The concealed electric strike solution for cylindrical locksets.

The HES 8000 Series Electrical Strike is a compact, high performance electric strike featuring a unique concealed design for use with cylindrical locksets. No cutting on the frame is required. Simply remove the existing strike plate, adjust the vertical alignment feature to the latchbolt centerline and install. Its strength is derived from a unique keeper pin locking design, enabling the HES 8000 to exceed the ratings of the frame, door and locking hardware. This field selectable fail safe/fail secure unit is easy to install and accommodates latchbolts up to 5/8" throw.

Features

Standard Features

- No cutting on frame required
- Vertical adjustability to accommodate door sag and misalignment
- Tamper resistant
- Static strength 1,500 lbs
- Dynamic strength 70 ft-lbs
- Endurance 1 million cycles
- Field selectable fail safe/fail secure
- Non-handed
- Internally mounted solenoid
- Accommodates 1/2" – 5/8" [12.7mm – 15.9mm] cylindrical latchbolt (5/8" [15.9mm] with 1/8" [3.175mm] door gap)
- Strike body depth 1-1/16" [27.3mm]
- Strike body width 1-7/16" [36.5mm]
- Plug-in Connector
- SecuriCare five-year, no-fault, no questions asked warranty (Addition of HES SMART Pac[®] III extends the warranty to 10 years)

Optional Features

- **LBM** Latchbolt monitor

Accessories

- **2001M** Plug-in bridge rectifier
- **2004M** ElectroLynx[®] adapter
- **2005M3** SMART Pac[®] III
- **2006M** Plug-in buzzer



Grade 1



SecuriCare
Warranty



Cylindrical
Locksets



Field Selectable
(Fail secure
/Fail safe)



Dual Voltage
12/24



PoE
Friendly



Outdoor
Rated



Burglary
Rated

HES 8000 Electric Strike

Dimensions

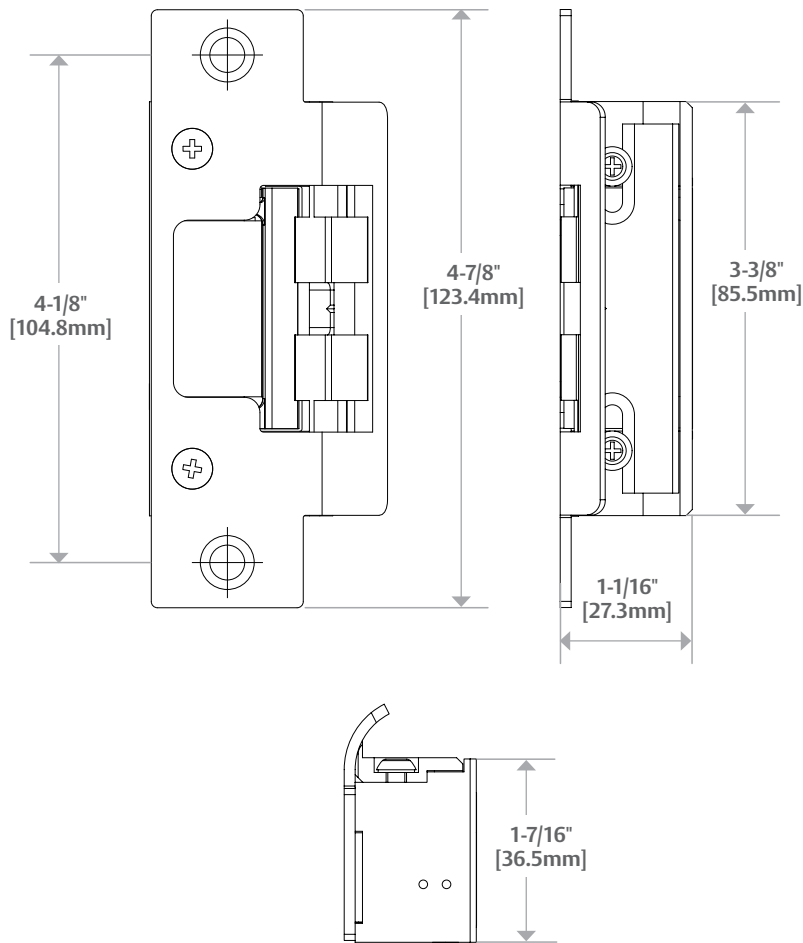


Diagram shown with 801 Option

Specifications

Certifications

- ANSI/BHMA A156.31, Grade 1
- UL 1034 burglary-resistant listed and suitable for outdoor use
- UL 294 listed
- RoHS compliant

Frame Application

- Metal
- Wood
- Aluminum

Electrical (DC Continuous Duty)

- Dual voltage 12/24 VDC/VAC
- 240 mA at 12 VDC/120 mA at 24 VDC
- PoE friendly

How to Order

Series	Model	Finish	Option (s)
8000	—	— 630	— LBM
8000 Universal Electric Strike; faceplates ordered separately	C* Complete Electric Strike; includes the 801 and 5801A faceplates	605 Bright Brass 606 Satin Brass 612 Satin Bronze 613 Bronze Toned 629 Bright Stainless Steel 630 Satin Stainless Steel BLK Black	LBM Latchbolt Monitor

*Complete Pacs are only available in the 630 finish

NOTE: Electric strike compatibility is determined at time of electric strike product release. ASSA ABLOY is not responsible for incompatibility of products that have changed in design or craftsmanship by their respective manufacturers. When compatibility is a concern, contact Customer Support for application assistance.

HES[®] 8300 Electric Strike

Works with cylindrical locksets and accommodates latchbolts up to 5/8" throw

Also available in a Complete One Box Solution



The fire rated, concealed solution for cylindrical locksets.

The HES 8300 Series Electric Strike is a fire rated, compact, high performance electric strike featuring a unique concealed design for use with cylindrical locksets. No cutting on the frame is required. Simply remove the existing ANSI strike plate, adjust the vertical alignment feature to the latchbolt centerline and install. Its strength is derived from a unique keeper pin locking design, enabling the HES 8300 to exceed the ratings of the frame, door and locking hardware. This unique electric strike is easy to install and complies with NFPA 80-07 guidelines for retrofit into fire rated frames. The HES 8300 accommodates latchbolts up to 5/8" throw.

Features

Standard Features

- Complies with the guidelines for retrofit into fire rated frames
- No cutting on frame required for 4-7/8" ANSI prep
- Vertical adjustability to accommodate door sag and misalignment
- Tamper resistant
- Static strength 1,500 lbs
- Dynamic strength 70 ft-lbs
- Endurance 1 million cycles
- Field selectable fail safe/fail secure
- Non-handed
- Accommodates 1/2" – 5/8" [12.7mm – 15.9mm] cylindrical latchbolt (5/8" [15.9mm] with 1/8" [3.175] door gap)
- Strike body depth 1-1/16" [27.3mm]
- Plug-in connector
- SecuriCare five-year, no-fault, no questions asked warranty (Addition of HES SMART Pac[®] III extends the warranty to 10 years)

Optional Features

- **LBM** Latchbolt monitor

Accessories

- **2001M** Plug-in bridge rectifier
- **2004M** ElectroLynx[®] adapter
- **2005M3** SMART Pac[®] III
- **2006M** Plug-in buzzer



Grade 1



SecuriCare
Warranty



Cylindrical
Locksets



Field Selectable
(Fail secure
/Fail safe)



Dual Voltage
12/24



PoE
Friendly



Fire Rated



Outdoor
Rated



Burglary
Rated

HES 8300 Electric Strike

Dimensions

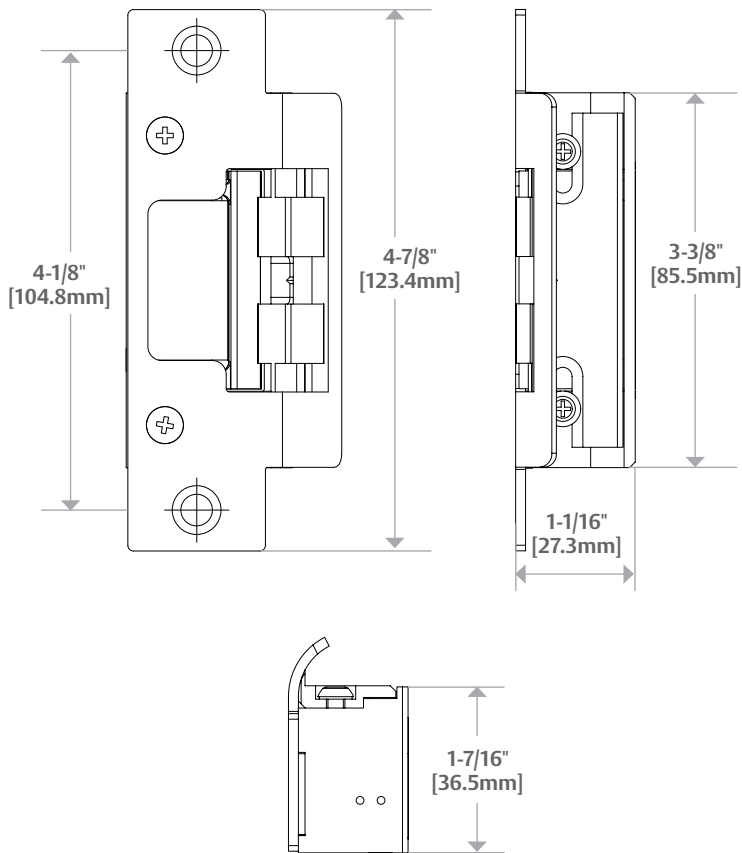


Diagram shown with 801 Option

Specifications

Certifications

- ANSI/BHMA A156.31, Grade 1
- UL 1034 burglary-resistant listed and suitable for outdoor use
- UL 294 listed
- RoHS compliant
- UL 10C fire rated, 3-hour single door (fail secure only)
- CAN/ULC-S104 fire door conformant
- NFPA-252 fire door compliant
- ASTM-E152 fire door compliant
- NFPA 80-07 compliant

Frame Application

- Metal
- Wood
- Aluminum

Electrical (DC Continuous Duty)

- Dual voltage 12/24 VDC/VAC
- 240 mA at 12 VDC/120 mA at 24 VDC
- PoE friendly

How to Order

Series	Model	Finish	Option (s)
8300	—	— 630	— LBM
8300 Universal Electric Strike; faceplates ordered separately	C* Complete Electric Strike; includes the 801 and 801A faceplates	605 Bright Brass 606 Satin Brass 612 Satin Bronze 613 Bronze Toned 629 Bright Stainless Steel 630 Satin Stainless Steel BLK Black	LBM Latchbolt Monitor

*Complete Pacs are only available in the 630 finish

NOTE: Electric strike compatibility is determined at time of electric strike product release. ASSA ABLOY is not responsible for incompatibility of products that have changed in design or craftsmanship by their respective manufacturers. When compatibility is a concern, contact Customer Support for application assistance.

HES 8000/8300 Series Faceplate Options



Operation: After releasing the latchbolt, the keeper returns to the locked position.



4-7/8" × 1-1/4"
[123.8mm × 31.75mm]
Square corners

801 Option

For use with: Cylindrical locksets in ANSI metal jambs, with latchbolts up to 5/8" [15.9mm] throw.

ANSI/BHMA Numbers: E05031, E09321, E09322, E09323



4-7/8" × 1-1/4"
[123.8mm × 31.75mm]
Radius corners and flat faceplate

801A Option

For use with: Cylindrical locksets with latchbolts up to 5/8" [15.9mm] throw. Includes universal mounting tabs. Aluminum frames.

ANSI/BHMA Numbers: E05031, E09321, E09322, E09323



4-7/8" × 1-1/4"
[123.8mm × 31.75mm]
1/4" extended lip

801E Option

For use with: Extended lip for 'knock-down' style frame installations. For use with cylindrical latchbolts up to 5/8" [15.9mm] throw.

ANSI/BHMA Numbers: E05031, E09321, E09322, E09323



7-15/16" × 1-7/16"
[201.6mm × 36.5mm]

802 Option

For use with: Cylindrical locksets with latchbolts up to 5/8" [15.9mm] throw. Includes universal mounting tabs. Aluminum frames.

ANSI/BHMA Numbers: E05031, #E09321, E09322, E09323



6-7/8" × 1-1/4"
Radius corners and flat faceplate

803 Option

For use with: Cylindrical locksets with latchbolts up to 5/8" [15.9mm] throw. Includes universal mounting tabs. Aluminum frames.

ANSI/BHMA Numbers: E05031, E09321, E09322, E09323



9" × 1-3/8"
[123.8mm × 34.9mm]
Radius corners and flat faceplate

805 Option

For use with: Cylindrical locksets. Latchbolts up to 5/8" [15.9mm] throw. Four point mounting for wood installations.

ANSI/BHMA Numbers: #E05031, #E09321, #E09322, #E09323



"For use with" information is offered as a recommendation only. Reference should be made to the lockset manufacturer for proper installation instructions necessary to meet compatibility requirements.

Reduce your install time by evaluating your opening

The HES 8000/8300 Electric Strikes can be adjusted to compensate for frame and door irregularities. Sometimes, adjusting the frame and door back to industry standards is not an option. Here are some tips to quickly compensate for frame twist and determine the condition of the latchbolt.

Measure Frame Twist

One way to measure frame twist is to place a carpenter square on the stop and the face of the door. If the angle is less than 90 degrees, the 45 degree ramp angle of the HES 8000/8300 is steepened and may need to be corrected as shown (*Figure 1*).

We recommend you check the condition of the latchbolt prior to installing the 8000/8300. Poorly constructed, worn out or damaged latchbolts may not slide along a ramp at any angle. To check the condition of your latchbolt, we recommend applying a slight force to the tip of the latchbolt (about 45 degrees to the door face). Make sure the latchbolt can be pushed up into the door.

Compensate for Frame Twist

When a frame is twisted, the relationship between the face of a closed door and of the inside face of the frame (i.e., rabbet) may not meet the 90 degree industry standard. Untrue frames and doors impact latchbolt wear and the force required to exit, so we recommend you ensure that the angle is between 90–95 degrees.

If manipulating the frame is not possible, we recommend placing several shims included under the top and bottom (stop side) of the faceplate (*Figure 2*). This effectively increases the 8000/8300 ramp angle and compensates for frame twist. You can also compensate for frame twist by placing shims under the top and bottom (bevel side) of the latchbolt (*Figure 3*).

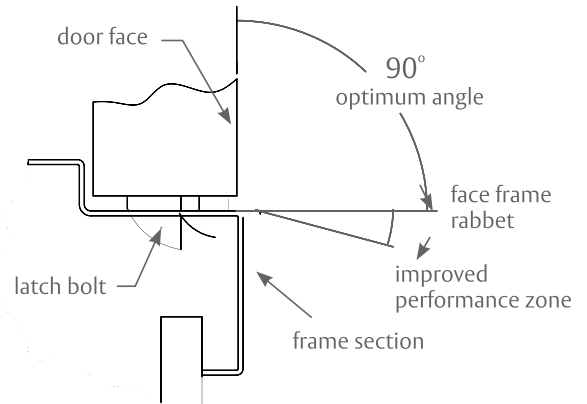


Figure 1

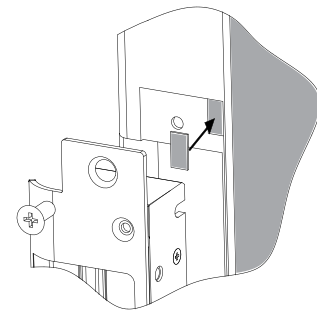


Figure 2

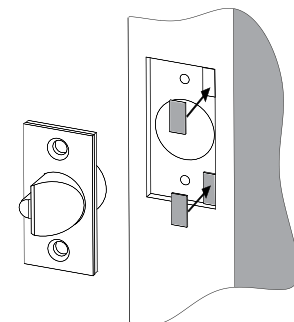


Figure 3

HES[®] 8500 Electric Strike

Works with mortise locksets
without a deadbolt up to
a 3/4" throw latchbolt



Also available in
a Complete One
Box Solution

The fire rated, concealed electric strike solution for mortise locksets.

The HES 8500 Series Electric Strike is a fire rated, compact, high performance electric strike featuring a unique concealed design for use with mortise locksets without a deadbolt. Designed for fast, convenient installation, the HES 8500 installs with little or no modification to the frame. Simply remove the existing strike plate, remove the dust box, and install. Its strength is derived from a unique keeper pin locking design, enabling the HES 8500 to exceed Grade 1 ratings. This unique electric strike complies with NFPA 80-07 guidelines for retrofit into fire rated frames. The HES 8500 accommodates mortise latchbolts up to 3/4" throw.

Features

Standard Features

- No cutting to the face of the frame
- Stainless steel construction
- Tamper resistant
- Static strength 1,500 lbs
- Dynamic strength 70 ft-lbs
- Endurance 1 million cycles
- Field selectable fail safe/fail secure
- Non-handed
- Metal frame
- Internally mounted solenoid
- Accommodates 3/4" [19mm] mortise latchbolts
- Strike body depth 1-5/16" [33.3mm]
- Plug-in connector
- Full pocket shims for horizontal adjustment
- SecuriCare five-year, no-fault, no questions asked warranty (Addition of HES SMART Pac[®] III extends the warranty to 10 years)

Optional Features

- **LBM** Latchbolt monitor
- **LBSM** Latchbolt strike monitor
- 4 faceplate option kits to work with most mortise locksets (sold separately)

Accessories

- **2001M** Plug-in bridge rectifier
- **2004M** ElectroLynx[®] adapter
- **2005M3** SMART Pac[®] III
- **2006M** Plug-in buzzer
- **150** Strike latch guard



Grade 1



SecuriCare
Warranty



Mortise Locks
without
Deadbolt



Field Selectable
(Fail secure
/Fail safe)



Dual Voltage
12/24



PoE
Friendly



Fire Rated



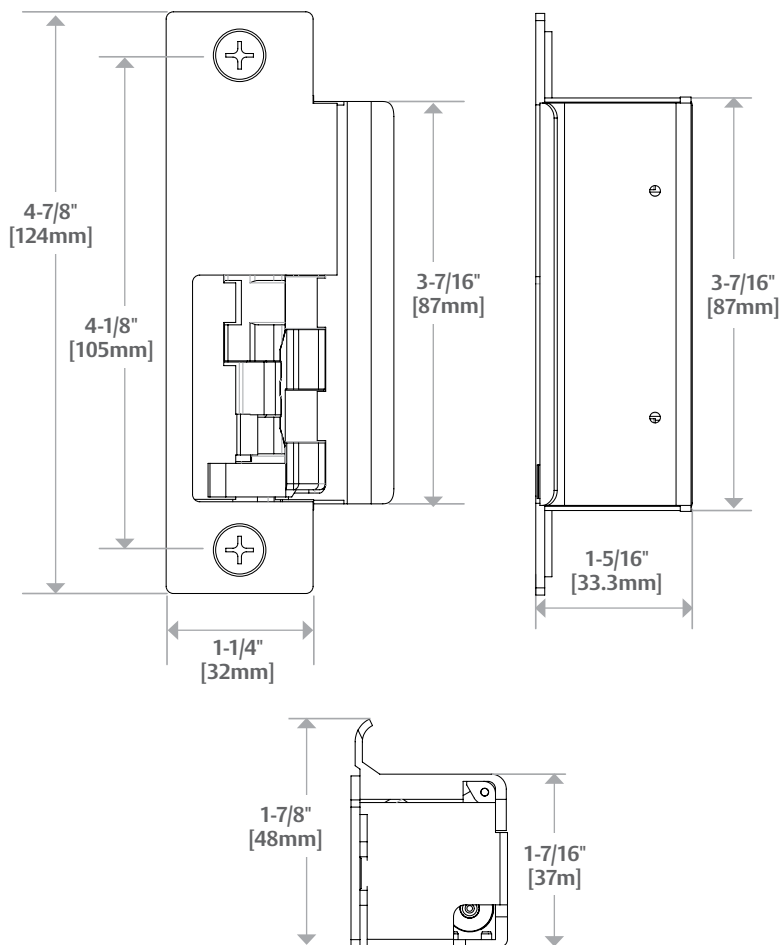
Outdoor
Rated



Burglary
Rated

HES 8500 Electric Strike

Dimensions



Removal of the dustbox required for use with ANSI/BHMA A156.115 prep

Specifications

Certifications

- ANSI/BHMA A156.31, Grade 1
- UL 1034 burglary-resistant listed and suitable for outdoor use
- UL 294 listed
- RoHS compliant
- UL 10C fire rated, 3-hour single door (fail secure only)
- CAN/ULC-S104 fire door conformant
- NFPA-252 fire door compliant
- ASTM-E152 fire door compliant
- NFPA 80-07 compliant

Frame Application

- Metal

Electrical (DC Continuous Duty)

- Dual voltage 12/24 VDC/VAC
- 240 mA at 12 VDC/120 mA at 24 VDC
- PoE friendly

How to Order

Series	Model	Finish	Option (s)
8500	—	— 630	— LBM
8500 Universal Electric Strike; faceplates ordered separately	C* Complete Electric Strike; includes the 801 and 801A faceplates	605 Bright Brass 606 Satin Brass 612 Satin Bronze 613 Bronze Toned 629 Bright Stainless Steel 630 Satin Stainless Steel	LBM Latchbolt Monitor LBSM Latchbolt Strike Monitor

*Complete Pacs are only available in the 630 finish

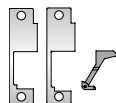
NOTE: Electric strike compatibility is determined at time of electric strike product release. ASSA ABLOY is not responsible for incompatibility of products that have changed in design or craftsmanship by their respective manufacturers. When compatibility is a concern, contact Customer Support for application assistance.

HES 8500 Series Faceplate Option Kits

The HES 8500 faceplate option kits combine two different faceplate pocket styles with three different deadlatch platform profiles for compatibility with a wide variety of mortise locksets. HES 8500 faceplate option kits are lock specific. There are two faceplates included in each kit: a standard faceplate and a faceplate with a wider pocket to address less-than-ideal sagging door conditions.



Operation: After release, the keeper returns to the locked position.



4-7/8" x 1-1/4"

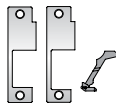
[123.8mm x 31.75mm]

851M Option

For use with: Mortise locksets

Compatible locksets: Sargent 8100, 8200, 9200

ANSI/BHMA Numbers: E05031, E09321, E09322, E09323



4-7/8" x 1-1/4"

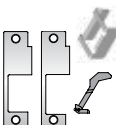
[123.8mm x 31.75mm]

852K Option

For use with: Mortise locksets

Compatible locksets: Corbin Russwin ML 2000

ANSI/BHMA Numbers: E05031, E09321, E09322, E09323



4-7/8" x 1-1/4"

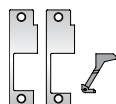
[123.8mm x 31.75mm]

852L Option

For use with: Mortise locksets

Compatible locksets: Schlage L9000

ANSI/BHMA Numbers: E05031, E09321, E09322, E09323



4-7/8" x 1-1/4"

[123.8mm x 31.75mm]

852M Option

For use with: Mortise locksets

Compatible locksets: Yale 8700 (manufactured after 2005)
& 8800, Accurate, Falcon, Kaba Ilco/Unican

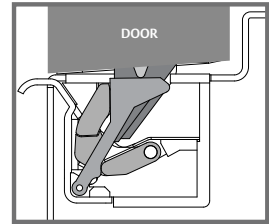
ANSI/BHMA Numbers: E05031, E09321, E09322, E09323



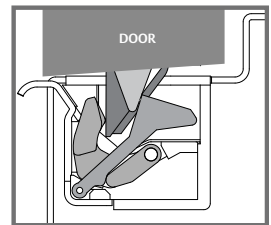
Get to Know the HES 8500

The HES 8500 concealed electric strike for mortise locksets builds on the tradition of ground-breaking design you've come to know in the HES 8000 Series concealed electric strike family. It has a unique design unlike any electric strike on the market today. It's important to understand the extraordinary design of the HES 8500 so that you can correctly install and operate it.

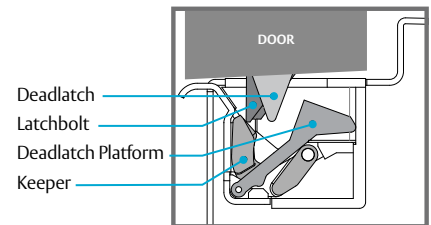
When the door is closed, the mortise latchbolt is held secure by the HES 8500 keeper. A 'deadlatch platform' insert holds the deadlatch in its locked state. Place the deadlatch platform into one of three locations in the strike as appropriate for the type of mortise lockset.



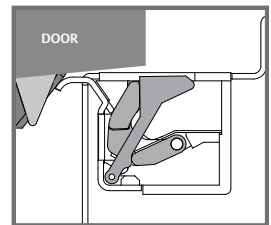
When the electric strike is energized, the keeper begins to rotate and the deadlatch platform falls away, allowing the deadlatch to drop and the latchbolt to become locked.



As the door moves forward, the latchbolt slides first along the keeper and then up the internal ramp.



As the door continues along its arc away from the frame, the latchbolt and deadlatch exit the HES 8500, which quickly returns to its locked state.



Securitron® UNL UnLatch® Strike

Works with most cylindrical locksets up to 5/8" throw latchbolt



The universal compact, high performance, no cut electromechanical motorized electric strike for use with cylindrical locksets.

Designed for easy installation, the Securitron UNL is capable of releasing under preload conditions and accommodates latchbolts up to 5/8" throw. Strong enough to withstand windstorm conditions, the Securitron UNL is the UL listed, fire rated electric strike that includes lock monitoring standard and provides ANSI/BHMA Grade 1 holding power.

Features

Standard Features

- No cutting required
- Preload capable
- Accommodates 1/2" – 5/8" [12.7mm – 15.875mm] latchbolt (5/8" [12.7mm] with 1/8" [3.175mm] door gap)
- Lock Monitor (Standard -SPDT)
- Fail secure (standard)
- Supports deadlatch function
- Strike body depth 1-1/2" [38.1mm]
- SecuriCare five-year, no-fault, no questions asked warranty (Addition of HES SMART Pac® III extends the warranty to 10 years)

Optional Features

- 12 VDC
- 24 VDC
- **FSUNL** for field-selectable fail safe operation (ordered separately)



Grade 1

SecuriCare
Warranty

Cylindrical
Locksets

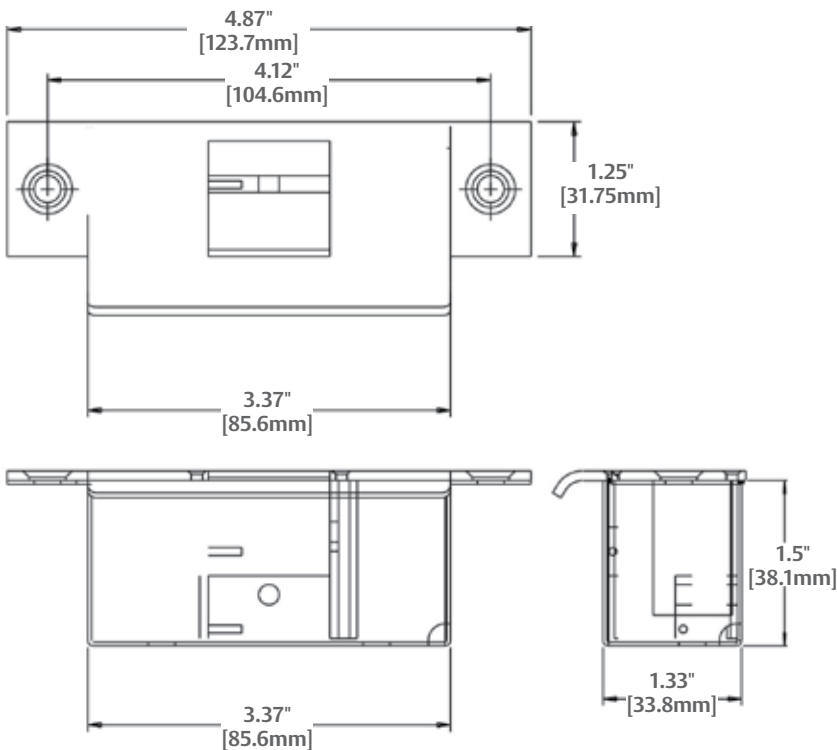
Fire Rated

Windstorm
Resistant

Preload

Securitron UNL UnLatch Strike

Dimensions



Securitron FSUNL Fail Safe Unlatch® Module

Allows Fail Safe Configuration of UNL and MUNL

The FSUNL is used with a Securitron UNL or MUNL installation to provide selectable fail safe or fail secure behavior. Removal of power initiates a full unlatch or latch cycle depending on which mode is selected.



Specifications

Certifications

- UL 10C Listed, 3-hour single door
- CAN4-S104, CAN/ULC Listed
- NFPA-252 fire door compliant
- UL listed to ANSI/SDI-BHMA A250.13 (60PSI) Windstorm
- ANSI/BHMA A156.31, Grade 1; E09321, E09322, E09323
- ASTM-E152 fire door compliant

Electrical

- 12 VDC (continuous duty)
 - Inrush – 3 Amps
 - Standby Current – 300 mA
- 24 VDC (continuous duty)
 - Inrush – 1.5 Amps
 - Standby Current – 200 mA

Holding Force

- 1500 lbs [680kg] static

Operating Temperature

- -20° to 125° F [-29° to 52° C]

Shipping Weight

- 1.6 lbs [0.73kg]

Part Number | Description

FSUNL-12	Fail Secure/Fail Safe Unlatch Module, 12 VDC, .90 mA
FSUNL-24	Fail Secure/Fail Safe Unlatch Module, 24 VDC, 1.4 mA

How to Order

Series	Fail Secure / Safe	Voltage	Finish
UNL	—	- 24	- 10B
UNL Cylindrical	(blank) Fail Secure (standard) NOTE: FSUNL for field-selectable fail safe operation ordered separately	12 12 Volt 24 24 Volt	(blank) US26D/626—Stainless Steel 10B US10B/613—Oil Rubbed Bronze

NOTE: Electric strike compatibility is determined at time of electric strike product release. ASSA ABLOY is not responsible for incompatibility of products that have changed in design or craftsmanship by their respective manufacturers. When compatibility is a concern, contact Customer Support for application assistance.

Securitron MUNL

Works with Mortise locksets without deadbolts up to a 3/4" throw latchbolt



The universal compact, high performance, no cut electromechanical motorized strike for use with mortise locksets without deadbolts.

Designed for easy installation, the Securitron MUNL is capable of releasing under preload conditions and accommodates latchbolts up to 3/4" [19mm] throw. Strong enough to withstand windstorm conditions, the Securitron MUNL is the UL listed, fire rated electric strike that includes lock monitoring standard, provides ANSI/BHMA Grade 1 holding power and includes field adjustability for latch and deadlatch positions.

Features

Standard Features

- No cutting required
- Preload capable
- Accomodates up to 3/4" [19mm] latchbolt (with 1/8" [3.175mm] door gap)
- Lock Monitor (Standard – SPDT)
- Fail secure (standard)
- Maintains dead latch function at all times
- Strike body depth 1-7/8" [47.6mm]
- SecuriCare five-year, no-fault, no questions asked warranty (Addition of HES SMART Pac® III extends the warranty to 10 years)

Optional Features

- 12 VDC
- 24 VDC
- **FSUNL** for field selectable fail safe operation
- One model works with most North American Mortise Locks (Sargent 7800 and 8200 require tab kit model #STK-1 for retrofit installations)



Grade 1



SecuriCare
Warranty



Mortise Locks
without
Deadbolt



Fire Rated



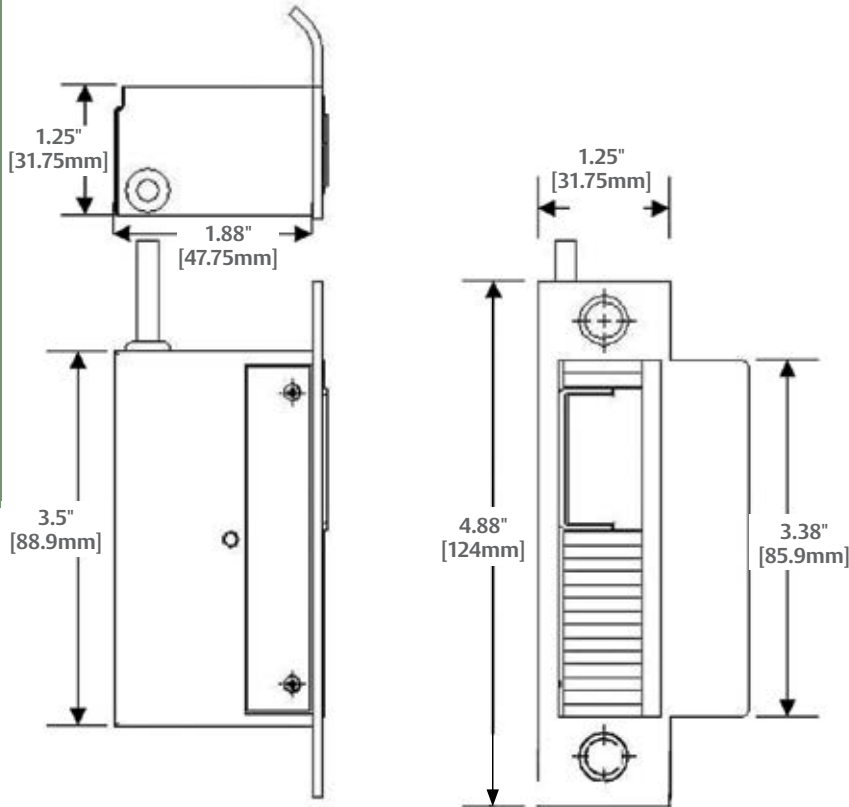
Windstorm
Resistant



Preload

Securitron MUNL

Dimensions



Specifications

Certifications

- UL 10C Listed
- CAN4-S104, CAN/ULC Listed
- NFPA-252 fire door compliant
- UL listed to ANSI/SDI-BHMA A250.13 (60PSI) Windstorm
- ANSI/BHMA A156.31, Grade 1; E09321, E09322, E09323
- ASTM-E152 fire door compliant

Electrical

- 12 VDC (continuous duty)
 - Inrush – 4 Amps
 - Standby Current – 600 mA
- 24 VDC (continuous duty)
 - Inrush – 2 Amps
 - Standby Current – 300 mA

Holding Force

- 1500 lbs [680kg] static

Operating Temperature

- -20° to 125° F [-29° to 52° C]

Shipping Weight

- 2 lbs [0.91kg]

Securitron FSUNL Fail Safe Unlatch® Module

Allows Fail Safe Configuration of UNL and MUNL

The FSUNL is used with a Securitron UNL or MUNL installation to provide selectable fail safe or fail secure behavior. Removal of power initiates a full unlatch or latch cycle depending on which mode is selected.



FSUNL Fail Safe Unlatch Module

Part Number | Description

FSUNL-12	Fail Secure/Fail Safe Unlatch Module, 12 VDC, .90 mA
FSUNL-24	Fail Secure/Fail Safe Unlatch Module, 24 VDC, 1.4 mA

How to Order

Series	Fail Secure / Safe	Voltage	Finish
MUNL	—	- 24	- 10B
MUNL Mortise	(blank) Fail Secure (standard)	12 12 Volt	(blank) US26D/626—Stainless Steel
		24 24 Volt	10B US10B/613—Oil Rubbed Bronze

NOTE: Electric strike compatibility is determined at time of electric strike product release. ASSA ABLOY is not responsible for incompatibility of products that have changed in design or craftsmanship by their respective manufacturers. When compatibility is a concern, contact Customer Support for application assistance.

HES[®] 9400 Surface Mounted Electric Strike

*Works with rim exit devices
up to 1/2" throw latchbolt*



The slim-line, surface mounted solution.

The HES 9400 Series Electric Strike is a slim-line, surface mounted electric strike designed to accommodate rim exit devices with a 1/2" throw Pullman latchbolt. All components are completely encased within its 1/2" thick stainless steel housing, so no cutting on the frame is required for installation. Simply place the electric strike on the surface of the frame, align it with the exit latchbolt, and install.

An 1/8" spacer plate is provided to accommodate varying door gaps. The HES 9400 exceeds Grade 1 standards for strength and performance. It is field selectable for fail safe/fail secure operation, and for 12 or 24 VDC. The HES 9400 features a smooth cover to conceal the mounting screws and provide a sleek surface for superior looks.

Features

Standard Features

- Installs in metal and wood frames
- Wood screws not provided
- One 1/8" [3.2mm] spacer plate included
- Decorative cover for sleek look
- Stainless steel construction
- Tamper resistant
- Static strength 1,500 lbs
- Dynamic strength 70 ft-lbs
- Endurance 1 million cycles
- Field selectable fail safe/fail secure
- Horizontal adjustability
- Non-handed
- Internally mounted solenoid
- Accommodates up to 1/2" [12.7mm] Pullman latch
- SecuriCare five-year, no-fault, no questions asked warranty (Addition of HES SMART Pac[®] III extends the warranty to 10 years)

Optional Features

- **LBM** Latchbolt monitor
- **LBSM** Latchbolt strike monitor

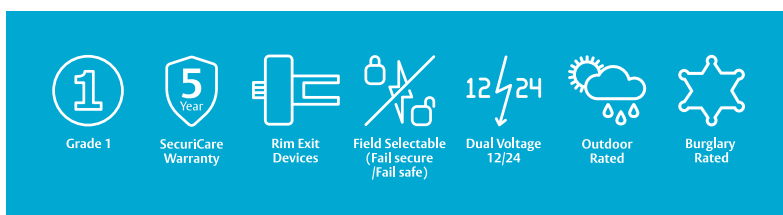
Accessories

- **9000-116-XXX** 1/16" Spacer plate (Available in 613E, 628E, 630 & BSP finishes)
- **9000-108-XXX** 1/8" Spacer plate (Available in 613E, 628E, 630 & BSP finishes)
- **9000-MTK** Metal template kit
- **SMB** Surface mounting box
- **2001M** Plug-in bridge rectifier
- **2004M** ElectroLynx[®] adapter
- **2005M3** SMART Pac[®] III
- **2006M** Plug-in buzzer
- **9000-ASB-XXX** Aluminum Spacer Bracket (available 613E, 628E, 630 & BSP finishes)
- **BN-250** 1/4-20 Blind Nuts



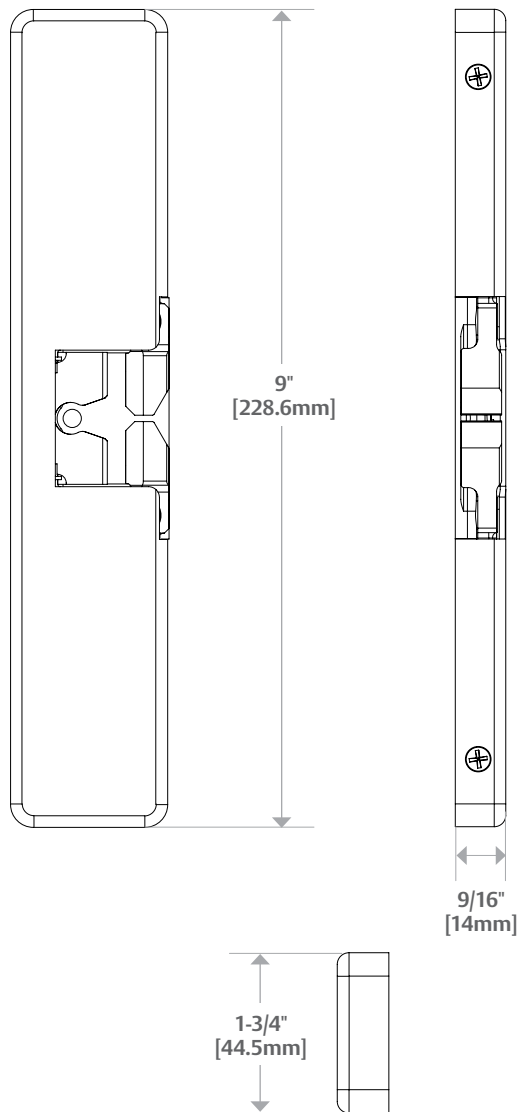
Spacer Plate Included

The HES 9400 ships with one 1/8" [3.2mm] spacer plate included in the box. Units ordered in a 630 finish are stainless steel. All other finishes have a black suede powder stainless steel spacer. Additional black spacer plates can be ordered as an accessory.



HES 9400 Surface Mounted Electric Strike

Dimensions



Specifications

Certifications

- ANSI/BHMA A156.31, Grade 1
- UL 1034 burglary-resistant listed and suitable for outdoor use
- UL 294 listed
- RoHS compliant

Frame Application

- Metal
- Wood

Electrical (DC Continuous Duty)

- Dual voltage 12/24 VDC
- 450 mA at 12 VDC/250 mA at 24 VDC

How to Order

Series	Finish	Option (s)
9400	– 630	– LBM
9400 Surface-Mounted Electric Strike for 1/2" Pullman Rim Exit Devices; no faceplates required	605 Bright Brass	LBM Latchbolt Monitor
	606 Satin Brass	LBSM Latchbolt Strike Monitor
	612 Satin Bronze	
	613 Bronze Toned	
	613E Dark Oxidized Satin Bronze Powder	
	629 Bright Stainless Steel	
	630 Satin Stainless Steel	
BSP Black Suede Powder		

NOTE: Electric strike compatibility is determined at time of electric strike product release. ASSA ABLOY is not responsible for incompatibility of products that have changed in design or craftsmanship by their respective manufacturers. When compatibility is a concern, contact Customer Support for application assistance.

HES[®] 9500 Surface Mounted Electric Strike

Works with rim exit devices up to 3/4" throw Pullman latchbolt



The durable, fire rated surface mounted solution.

The HES 9500 Series Electric Strike is a three hour fire rated, surface mounted electric strike designed to accommodate rim exit devices with a 3/4" throw Pullman latchbolt. All components are completely encased within its 3/4" thick stainless steel housing, so no cutting on the frame is required for installation. Simply place the electric strike on the surface of the frame, align it with the exit latchbolt and install. Adjustments have never been easier as the base is now separate from the cover.

The HES 9500 exceeds Grade 1 standards for strength and performance. It is field selectable for fail safe / fail secure operation, and for 12 or 24 VDC. This unique electric strike complies with NFPA 80-07 guidelines for retrofit into fire rated frames.

Features

Standard Features

- Installs in metal or wood frames (wood screws not included)
- Separate base and decorative cover for easy adjustments
- Stainless steel construction
- Tamper resistant
- Static strength 1,500 lbs
- Dynamic strength 70 ft-lbs
- Endurance 1 million cycles
- Field selectable fail safe/fail secure
- Horizontal adjustability
- Non-handed
- Internally mounted solenoid
- Accommodates up to 3/4" [19mm] Pullman latch
- SecuriCare five-year, no-fault, no questions asked warranty (Addition of HES SMART Pac[®] III extends the warranty to 10 years)

Optional Features

- **LBM** Latchbolt monitor
- **LBSM** Latchbolt strike monitor

Accessories

- **9000-116-XXX** 1/16" Spacer plate (Available in 613E, 628E, 630 & BSP finishes)
- **9000-108-XXX** 1/8" Spacer plate (Available in 613E, 628E, 630 & BSP finishes)
- **9000-MTK** Metal template kit
- **SMB** Surface mounting box
- **2001M** Plug-in bridge rectifier
- **2004M** ElectroLynx[®] adapter
- **2005M3** SMART Pac[®] III
- **2006M** Plug-in buzzer



Grade 1

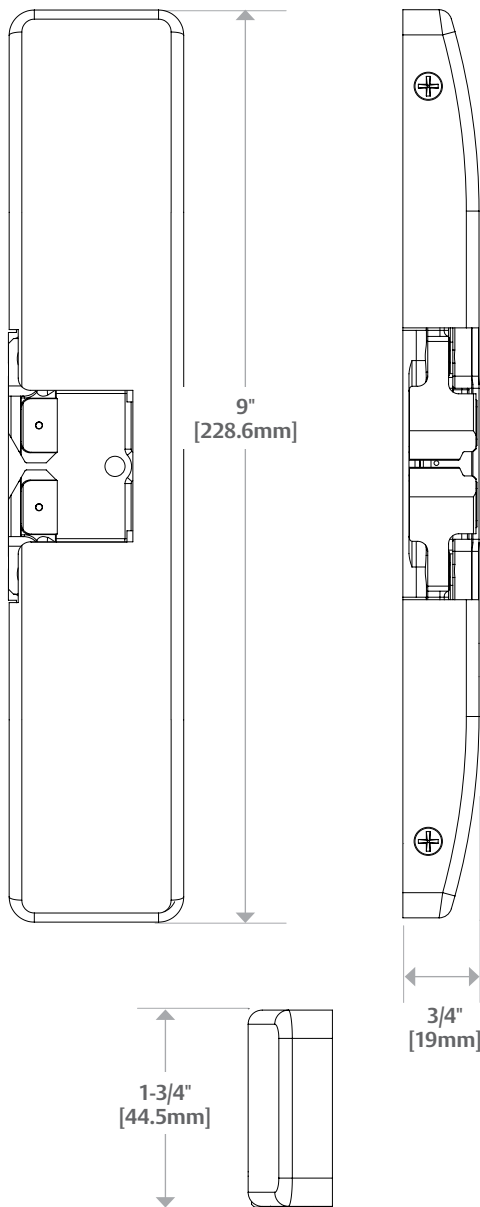
SecuriCare
WarrantyRim Exit
DevicesField Selectable
(Fail secure
/Fail safe)Dual Voltage
12/24

Fire Rated

Outdoor
RatedBurglary
Rated

HES 9500 Surface Mounted Electric Strike

Dimensions



Specifications

Certifications

- ANSI/BHMA A156.31, Grade 1
- UL 1034 burglary-resistant listed and suitable for outdoor use
- UL 294 listed
- RoHS compliant
- UL 10C fire rated, 3-hour single door (fail secure only)
- CAN/ULC-S104 fire door conformant
- NFPA-252 fire door compliant
- ASTM-E152 fire door compliant
- California Fire Marshal listed
- NFPA 80-07 compliant
- WHI fire door listed

Frame Application

- Metal
- Wood

Electrical (DC Continuous Duty)

- Dual voltage 12/24 VDC
- 450 mA at 12 VDC/250 mA at 24 VDC

How to Order

Series	Finish	Option (s)
9500	- 630	- LBM
9500 Surface-Mounted Electric Strike for 3/4" Pullman Rim Exit Devices, fire rated; no faceplates required	605 Bright Brass	LBM Latchbolt Monitor
	606 Satin Brass	LBSM Latchbolt Strike Monitor
	612 Satin Bronze	
	613 Bronze Toned	
	613E Dark Oxidized Satin Bronze Powder	
	629 Bright Stainless Steel	
	630 Satin Stainless Steel	

NOTE: Electric strike compatibility is determined at time of electric strike product release. ASSA ABLOY is not responsible for incompatibility of products that have changed in design or craftsmanship by their respective manufacturers. When compatibility is a concern, contact Customer Support for application assistance.

HES[®] 9600 Surface Mounted Electric Strike

Works with rim exit devices up to a 3/4" throw Pullman latchbolt



The stylish windstorm resistant, surface mounted solution.

The HES 9600 Series Electric Strike is a windstorm resistant, surface mounted electric strike designed to accommodate rim exit devices with a 3/4" throw Pullman latchbolt. All components are completely encased within its 3/4" thick stainless steel housing, so no cutting on the frame is required for installation. Simply place the electric strike on the surface of the frame, align it with the exit latchbolt and install. Adjustments have never been easier as the base is now separate from the cover. It is field selectable for fail secure or fail safe operation, and for 12 or 24 VDC.

The HES 9600 is a surface mounted electric strike designed with the strength and durability required to exceed the severe forces of ANSI Windstorm testing.

Features

Standard Features

- Installs in metal or wood frames (wood screws not included)
- Separate base and decorative cover for easy adjustments
- Stainless steel construction
- Tamper resistant
- Static strength 2,000 lbs
- Dynamic strength 120 ft-lbs
- Endurance 1 million cycles
- Field selectable fail safe/fail secure
- Horizontal adjustment
- Non-handed
- Internally mounted solenoid
- Accommodates up to 3/4" [19mm] Pullman latch
- SecuriCare five-year, no-fault, no questions asked warranty (Addition of HES SMART Pac[®] III extends the warranty to 10 years)

Optional Features

- **LBM** Latchbolt monitor
- **LBSM** Latchbolt strike monitor

Accessories

- **9000-116-XXX** 1/16" Spacer plate (Available in 613E, 628E, 630 & BSP finishes)
- **9000-108-XXX** 1/8" Spacer plate (Available in 613E, 628E, 630 & BSP finishes)
- **9000-MTK** Metal template kit
- **SMB** Surface mounting box
- **2001M** Plug-in bridge rectifier
- **2004M** ElectroLynx adapter
- **2005M3** SMART Pac III
- **2006M** Plug-in buzzer
- **9000-ASB-XXX** Aluminum Spacer Bracket (available 613E, 628E, 630 & BSP finishes)



Grade 1



SecuriCare
Warranty



Rim Exit
Devices



Field Selectable
(Fail secure
/Fail safe)



Dual Voltage
12/24



Windstorm
Resistant



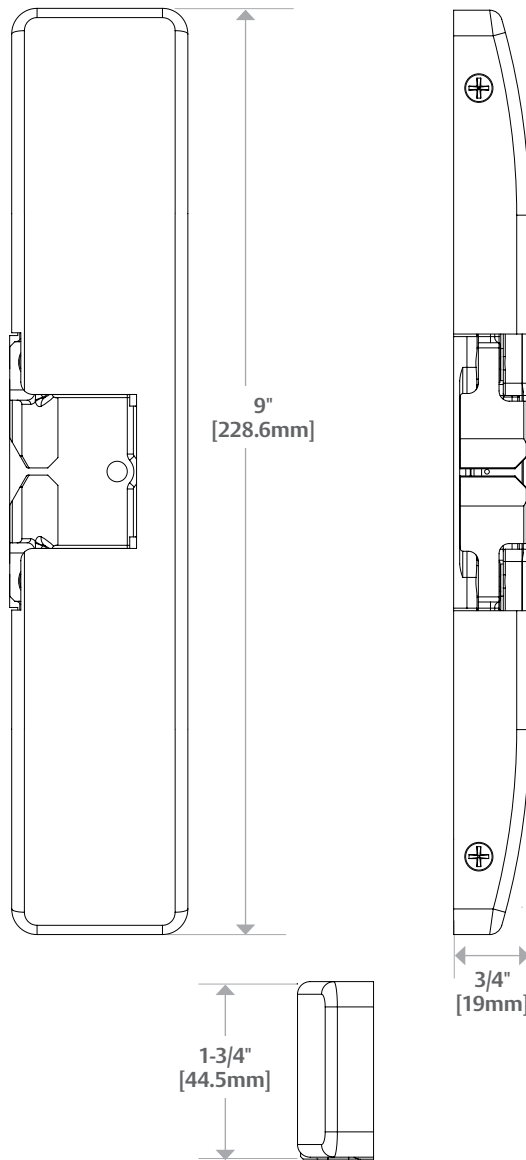
Outdoor
Rated



Burglary
Rated

HES 9600 Surface Mounted Electric Strike

Dimensions



Specifications

Certifications

- ANSI/BHMA A156.31, Grade 1
- UL 1034 burglary-resistant listed and suitable for outdoor use
- UL 294 listed
- RoHS compliant
- ANSI/SDI A250.13 windstorm resistant
- Florida Building Code approved TAS 201, 202, 203
- ANSI-ASTM E330

Frame Application

- Metal
- Wood

Electrical (DC Continuous Duty)

- Dual voltage 12/24 VDC
- 450 mA at 12 VDC/250 mA at 24 VDC

How to Order

Series	Finish	Option(s)
9600	- 630	- LBM
9600 Surface-Mounted Electric Strike for 3/4" Pullman Rim Exit Devices, non-fire rated; no faceplates required	605 Bright Brass	LBM Latchbolt Monitor
	606 Satin Brass	LBSM Latchbolt Strike Monitor
	612 Satin Bronze	
	613 Bronze Toned	
	613E Dark Oxidized Satin Bronze Powder	
	629 Bright Stainless Steel	
	630 Satin Stainless Steel	
BSP Black Suede Powder		

NOTE: Electric strike compatibility is determined at time of electric strike product release. ASSA ABLOY is not responsible for incompatibility of products that have changed in design or craftsmanship by their respective manufacturers. When compatibility is a concern, contact Customer Support for application assistance.

HES[®] 9700 Surface Mounted Electric Strike

Works with Corbin Russwin
SecureBolt[®] and Yale
SquareBolt[®] exit devices



The stylish
windstorm resistant
and fire rated,
squarebolt solution.

The HES 9700 Series Electric Strike is a heavy duty, surface mounted electric strike designed to accommodate Corbin Russwin SecureBolt[®] and Yale SquareBolt[®] exit devices. All components are completely encased within its 3/4" thick stainless steel housing, so no cutting on the frame is required for installation. It is field selectable for fail secure or fail safe operation, and for 12 or 24 VDC.

The HES 9700 is designed with the strength and durability required to exceed the severe forces of ANSI Windstorm testing. This unique electric strike also complies with NFPA 80-07 guidelines for retrofit into fire rated frames.

Features

Standard Features

- Installs in metal or wood (wood screws not included)
- Separate base and decorative cover for easy adjustments
- Stainless steel construction
- Tamper resistant
- Static strength to 2,000 lbs
- Dynamic strength to 120 ft-lbs
- Endurance 1 million cycles
- Field selectable fail safe/fail secure
- Horizontal adjustment
- Non-handed
- Internally mounted solenoid
- SecuriCare five-year, no-fault, no questions asked warranty (Addition of HES SMART Pac[®] III extends the warranty to 10 years)

Optional Features

- **LBM** Latchbolt monitor
- **LBSM** Latchbolt strike monitor

Accessories

- **9000-116-XXX** 1/16" Spacer plate (Available in 613E, 628E, 630 & BSP finishes)
- **9000-108-XXX** Spacer plate (BSP, 613E, 630, 628E)
- **9000-MTK** Metal template kit
- **SMB** Surface mounting box
- **2001M** Plug-in bridge rectifier
- **2004M** ElectroLynx[®] adapter
- **2005M3** SMART Pac[®] III
- **2006M** Plug-in buzzer



Grade 1

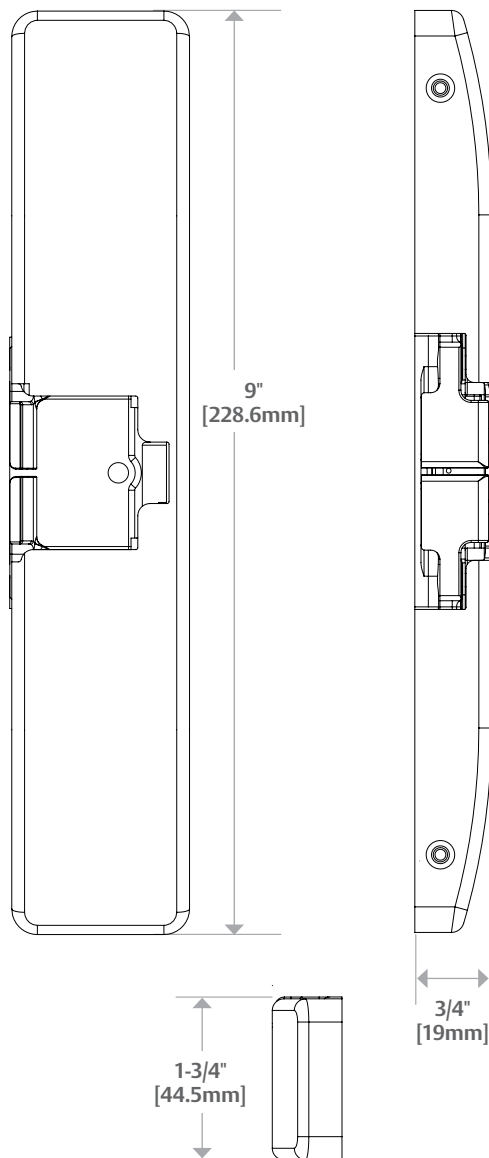
SecuriCare
WarrantyRim Exit
DevicesField Selectable
(Fail secure
/Fail safe)Dual Voltage
12/24

Fire Rated

Windstorm
ResistantOutdoor
RatedBurglary
Rated

HES 9700 Surface Mounted Electric Strike

Dimensions



Specifications

Certifications

- ANSI/BHMA A156.31, Grade 1
- UL 1034 burglary-resistant listed and suitable for outdoor use
- UL 294 listed
- RoHS compliant
- UL 10C fire rated, 3-hour single door (fail secure only)
- CAN/ULC-S104 fire door conformant
- NFPA-252 fire door compliant
- ASTM-E152 fire door compliant
- California Fire Marshal listed
- NFPA 80-07 compliant
- ANSI/SDI A250.13 windstorm resistant
- Florida Building Code approved TAS 201, 202, 203
- ANSI-ASTM E330

Frame Application

- Metal
- Wood

Electrical (DC Continuous Duty)

- Dual voltage 12/24 VDC
- 450 mA at 12 VDC/250 mA at 24 VDC

How to Order

Series	Finish	Option (s)
9700	– 630	– LBM
9700 Surface Mounted Electric Strike for Corbin Russwin SecureBolt® and Yale SquareBolt® Rim Exit Devices; no faceplates required	605 Bright Brass	LBM Latchbolt Monitor
	606 Satin Brass	LBSM Latchbolt Strike Monitor
	612 Satin Bronze	
	613 Bronze Toned	
	613E Dark Oxidized Satin Bronze Powder	
	629 Bright Stainless Steel	
	630 Satin Stainless Steel	

NOTE: Electric strike compatibility is determined at time of electric strike product release. ASSA ABLOY is not responsible for incompatibility of products that have changed in design or craftsmanship by their respective manufacturers. When compatibility is a concern, contact Customer Support for application assistance.

HES[®] 9800 Surface Mounted Electric Strike

Works with Adams Rite[®]
Starwheel and Interlocking
rim exit devices



The low-profile, surface mounted electric strike designed to accommodate the Adams Rite 8700, 8800 and EX88 Series Rim Exit Devices.

The HES 9800 Series Electric Strike exceeds Grade 1 standards for strength and performance. All functions are performed within the 1/2" thick strike body, which is protected by a sleek stainless steel cover to conceal the mounting screws and provide the most aesthetic appearance. All while being field selectable for fail secure or fail safe operation, and dual voltage, 12 or 24 VDC.

1/16" and 1/8" spacer plates are provided to accommodate varying door gaps. Simply place the electric strike on the surface of the frame, align it with the Starwheel or Interlocking latchbolt, and install.

Features

Standard Features

- Compatible with Adams Rite 8700, 8800 and EX88 Series Rim Exit Devices
- Installs on aluminum, hollow metal and wood frames (wood screws not provided)
- One 1/16" [1.6mm] spacer plate included
- One 1/8" [3.2mm] spacer plate included
- Decorative cover for sleek look
- Stainless steel construction
- Tamper-resistant
- Static strength 1,500 lbs
- Dynamic strength 70 ft-lbs
- Endurance 1 million cycles
- Field selectable fail safe/fail secure
- Horizontal adjustment
- Non-handed
- Internally mounted solenoid
- SecuriCare five-year, no-fault, no questions asked warranty (Addition of HES SMART Pac[®] III extends the warranty to 10 years)

Optional Features

- **LBM** Latchbolt monitor
- **LBSM** Latchbolt strike monitor

Accessories

- **9000-116-XXX** 1/16" Spacer plate (Available in 613E, 628E, 630 & BSP finishes)
- **9000-108-XXX** 1/8" Spacer plate (Available in 613E, 628E, 630 & BSP finishes)
- **9000-MTK** Metal template kit
- **SMB** Surface mounting box
- **2001M** Plug-in bridge rectifier
- **2004M** ElectroLynx[®] adapter
- **2005M3** SMART Pac[®] III
- **2006M** Plug-in buzzer
- **9000-ASB-XXX** Aluminum Spacer Bracket (Available in 613E, 628E, 630 & BSP finishes)
- **BN-250** 1/4-20 Blind Nuts



Grade 1

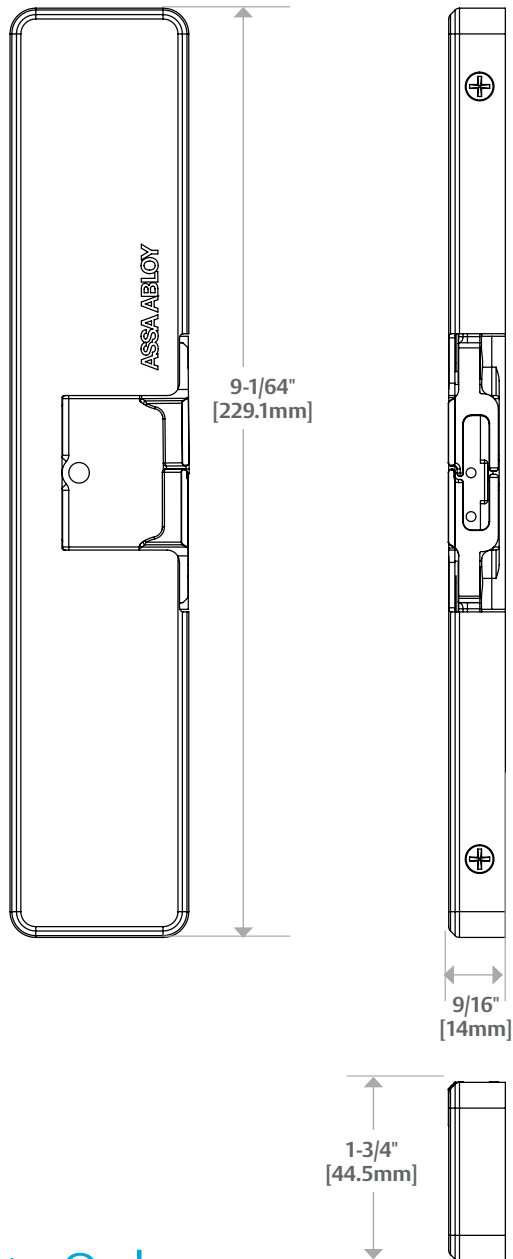
SecuriCare
WarrantyRim Exit
DevicesField Selectable
(Fail secure
/Fail safe)Dual Voltage
12/24Outdoor
RatedBurglary
Rated

Spacer Plates Included

The HES 9800 ships standard with one 1/16" [1.6mm] and one 1/8" [3.2mm] spacer plate included in the box. Units ordered in 613E, 628E, 630 & BSP finishes will be made of stainless steel and finished to match. All other finishes will receive black stainless steel spacers. Additional spacer plates can be ordered separately.

HES 9800 Surface Mounted Electric Strike

Dimensions



Specifications

Certifications

- ANSI/BHMA A156.31, Grade 1
- UL 1034 burglary-resistant listed and suitable for outdoor use
- UL 294 listed
- RoHS compliant

Holding Force

- Static strength 1,500 lbs
- Dynamic strength 70 ft-lbs

Frame Application

- Aluminum
- Hollow Metal
- Wood

Electrical (DC Continuous Duty)

- Dual voltage 12/24 VDC
- 450 mA at 12 VDC/250 mA at 24 VDC

Product NOTE: this product is also available as the Adams Rite 7800 Electric Strike.

How to Order

Series	Finish	Option (s)
9800	- 630	- LBM
9800 Surface Mounted Electric Strike for Adams Rite® Starwheel and Interlocking Rim Exit Devices; no faceplates required	605 Bright Brass	LBM Latchbolt Monitor
	606 Satin Brass	LBSM Latchbolt Strike Monitor
	613E Dark Oxidized Satin Bronze Powder	
	628E Satin Aluminum, Clear Anodized Powder	
	629 Bright Stainless Steel	
	630 Satin Stainless Steel	
	BSP Black Suede Powder	

NOTE: Electric strike compatibility is determined at time of electric strike product release. ASSA ABLOY is not responsible for incompatibility of products that have changed in design or craftsmanship by their respective manufacturers. When compatibility is a concern, contact Customer Support for application assistance.

HES[®] Folger Adam 310 Electric Strike

Works with cylindrical and mortise locksets with 1/2", 5/8" or 3/4" throw latchbolts



The 310 series is a 3-hour fire rated, industrial grade electric strike designed for extreme heavy duty applications.

The all stainless steel construction of this device makes it ideal for high abuse applications that would disable other electric strikes.

Features

Standard Features

- Tamper resistant (heavy duty construction)
- Constructed entirely of stainless steel for strength and corrosion resistance
- Static strength 1,500 lbs
- Dynamic strength 70 ft-lbs
- Endurance rating 1 million cycles
- Horizontally adjustable keeper allows for door and frame misalignment
- 1/2" [12.7mm] keeper depth (310-2)
- 3/4" [19mm] keeper depth (310-2 3/4 and 310-2 3/4OB)
- 1" [25.4mm] keeper depth (310-3-1)
- Non-handed
- Fail secure (standard)
- Plug-in connector
- SecuriCare five-year, no-fault, no questions asked warranty (Addition of HES SMART Pac[®] III extends the warranty to 10 years)

Optional Features

- **Fail Safe**
- **LCBMA** Latchbolt & Locking Cam Monitor with Auxiliary Switch (all except 310-2-3/4OB)

Accessories

- **152** Universal mounting tabs
- **310-2-3** Strike latch guard (astragal)
- **2001-1** Wire-in bridge rectifier
- **2001M** Plug-in bridge rectifier
- **2004M** ElectroLynx[®] adapter
- **2005M3** SMART Pac[®] III
- **2006M** Plug-in buzzer



Grade 1

SecuriCare
WarrantyCylindrical
LocksetsMortise Locks
with DeadboltMortise Locks
without
Deadbolt

Fire Rated

Burglary
Rated

HES Folger Adam 310 Electric Strike

Dimensions

**310-2**

For a 1/2" [12.7mm] or 5/8" [15.875mm] throw latchbolt (without deadbolt) on single doors and pairs of doors.

1/2" [12.7mm] keeper standard

**310-2-3/4**

For a 3/4" [19mm] throw latchbolt (without deadbolt) on single doors and pairs of doors.

3/4" [19mm] keeper standard

**310-2 3/4OB**

For a pair of doors, without a door coordinator, which is equipped with a lock having a 3/4" [19mm] throw latchbolt (without deadbolt).

3/4" [19mm] keeper standard

**310-3-1**

For a lockset with both a 3/4" [19mm] throw latchbolt and a 1" [25.4mm] throw deadbolt.

- Deadbolt must be retracted manually
- Position of block within cavity is adjustable for RH and LH applications

1" [25.4mm] keeper standard

Specifications

Certifications

- UL 10C fire rated, 3-hour single door (fail secure only)
- UL 10C fire rated, 3-hour double door (fail secure only)
- CAN4-S104 (ULC-S104) fire door conformant
- UL 1034, burglary-resistant listed
- UL 294 listed
- ANSI/BHMA A156.31, Grade 1
- NFPA-252 fire door conformant
- ASTM-E152 fire door conformant
- RoHS compliant

Electrical (DC Continuous Duty)

- 510 mA at 12 VDC/250 mA at 24 VDC

How to Order

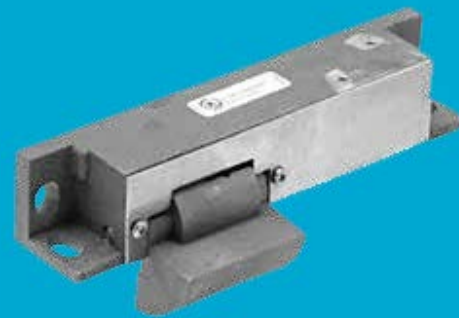
Series	Fail Secure / Safe	Voltage	Finish*	Option (s)
310-2	- F	- 24D	- 630	- LCBMA
Complete Pacs	(blank) Fail Secure (standard)	12D 12 Volt	605 Bright Brass	LCBMA* Latchbolt & locking cam monitor with auxiliary switch
310-2 1/2" keeper standard; For up to a 5/8" throw latchbolt	F Fail Safe	24D 24 Volt	606 Satin Brass	
310-2 3/4 3/4" keeper standard; For up to a 3/4" [19mm] throw latchbolt without deadbolt		612 Satin Bronze		
310-2 3/4OB 3/4" keeper standard; For a pair of doors without a door coordinator			613 Bronze Toned	
310-3-1 1" keeper standard; For up to a 3/4" throw latchbolt and a 1" deadbolt			629 Bright Stainless Steel	
			630 Satin Stainless Steel	

*LCBMA not available with 310-2 3/4OB

NOTE: Electric strike compatibility is determined at time of electric strike product release. ASSA ABLOY is not responsible for incompatibility of products that have changed in design or craftsmanship by their respective manufacturers. When compatibility is a concern, contact Customer Support for application assistance.

HES® Folger Adam 310-1(X) Electric Strike Body Only

Works with cylindrical and mortise locksets with 1/2", 5/8" or 3/4" throw latchbolts



The 310 series is a 3-hour fire rated, industrial grade electric strike designed for extreme heavy duty applications.

The all stainless steel construction of this device makes it ideal for strength and corrosion resistance.

Features

Standard Features

- Tamper resistant, heavy duty construction
- Constructed entirely of stainless steel for strength and corrosion resistance
- Static strength 1,500 lbs
- Dynamic strength 70 ft-lbs
- Endurance 1 million cycles
- Adjustable keeper allows for door and frame alignment 1/2", 3/4" [19mm] and 1" [25.4mm] keeper depths
- Non-handed
- Fail secure (standard)
- Plug-in connector
- SecuriCare five-year, no-fault, no questions asked warranty (Addition of HES SMART Pac® III extends the warranty to 10 years)

Optional Features

- **Fail Safe**
- **LCBMA** Latchbolt & Locking Cam Monitor with Auxiliary Switch

Accessories

- **152** Universal mounting tabs
- **310-2-3** Strike latch guard (astragal)
- **2001-1** Wire-in bridge rectifier
- **2001M** Plug-in bridge rectifier
- **2004M** Electrolynx® adapter
- **2005M3** SMART Pac® III
- **2006M** Plug-in buzzer



Grade 1

SecuriCare
WarrantyCylindrical
LocksetsMortise Locks
without
DeadboltRim Exit
DevicesSpecialty
Locksets

Fire Rated

Burglary
Rated

HES Folger Adam 310-1(X) Electric Strike Body Only

Dimensions

310-1(1/2)

For use with up to 5/8" throw latchbolts (without deadbolt)

1/2" keeper standard

310-1(3/4)

For use with 3/4" [19mm] throw latchbolts (without deadbolt) on single and double glass door applications with the addition of a third party faceplate.

- Works with Rockwood PDU8000 and CR Laurence PA100 Series panic devices when used with ESK Series stop/strike

3/4" [19mm] keeper standard

310-1(1)

For use with both a 3/4" [19mm] throw latchbolt and a 1" [25.4mm] throw deadbolt

1" [25.4mm] keeper standard

310-1(PK)

For up to 3/4" [19mm] Pullman style latchbolts

PK keeper standard

310-1(SK)

For Squarebolt® style rim exit devices

- Works with Corbin Russwin® ED4200S, ED5200S and ED5200SA Securebolt® or Yale® 7150(F), 7250, 7270M(F) Squarebolt® Exit Devices.

SK keeper standard

Specifications

Certifications

- UL 10C fire rated, 3-hour single door (fail secure only)
- UL 10C fire rated, 3-hour double door (fail secure only)
- CAN4-S104 (ULC-S104) fire door conformant
- UL 1034, burglary-resistant listed
- UL 294 listed
- ANSI/BHMA A156.31, Grade 1
- NFPA-252 fire door conformant
- ASTM-E152 fire door conformant
- RoHS compliant

Electrical (Continuous Duty)

- 510 mA at 12 VDC/250 mA at 24 VDC

How to Order

Series	Keeper Style	Fail Secure / Safe	Voltage	Option (s)
-310-1	(3/4)	- F	- 24D	- LCBMA
Strike Body Only	(1/2) 1/2" keeper	(blank) Fail Secure (standard)	12D 12 Volt	LCBMA Latchbolt & locking cam monitor with auxiliary switch
SB-310-1	(3/4) 3/4" keeper	F Fail Safe	24D 24 Volt	
	(1) 1" keeper			
	(PK) For use with 3/4" Pullman style latchbolts			
	(SK) For use with Squarebolt® style rim exit devices			

NOTE: Electric strike compatibility is determined at time of electric strike product release. ASSA ABLOY is not responsible for incompatibility of products that have changed in design or craftsmanship by their respective manufacturers. When compatibility is a concern, contact Customer Support for application assistance.

HES[®] Folger Adam 310-4 Electric Strike

Works with Pullman style latchbolts
up to 3/4" and Squarebolt[®]
style rim exit devices



310-4

310-4S

The 310-4 is a 3-hour fire rated, industrial grade electric strike designed for extreme heavy duty applications.

The all stainless steel construction of this device makes it ideal for high abuse applications that would disable other electric strikes. The HES Folger Adam 310-4 Series has a unique 3/4" face plate with an integrated 1/4" base shim that can be removed in the field to accommodate rim exit devices with a 1/2" or 3/4" throw latchbolt.

Features

Standard Features

- Integrated shim for quick customization of faceplate thickness (1/2" to 3/4" [19mm])
- Tamper resistant, heavy duty construction
- Constructed entirely of stainless steel for strength and corrosion resistance
- Static strength 1,500 lbs
- Dynamic strength 70 ft-lbs
- Endurance rating 1 million cycles
- Integrated ramps for better deadlatch handling
- Set screws for horizontal lockdown
- In-frame horizontal adjustability
- Wider faceplate for greater versatility
- Non-handed
- Fail secure (standard)
- Plug-in connector
- SecuriCare five-year, no-fault, no questions asked warranty (Addition of HES SMART Pac[®] III extends the warranty to 10 years)

Optional Features

- **Fail Safe**
- **LCBMA** Latchbolt & Locking Cam Monitor with Auxiliary Switch

Accessories

- **7000-SMB** Surface mounting box
- **2001-1** Wire-in bridge rectifier
- **2001M** Plug-in bridge rectifier
- **2004M** ElectroLynx[®] adapter
- **2005M3** SMART Pac[®] III
- **2006M** Plug-in buzzer



Grade 1

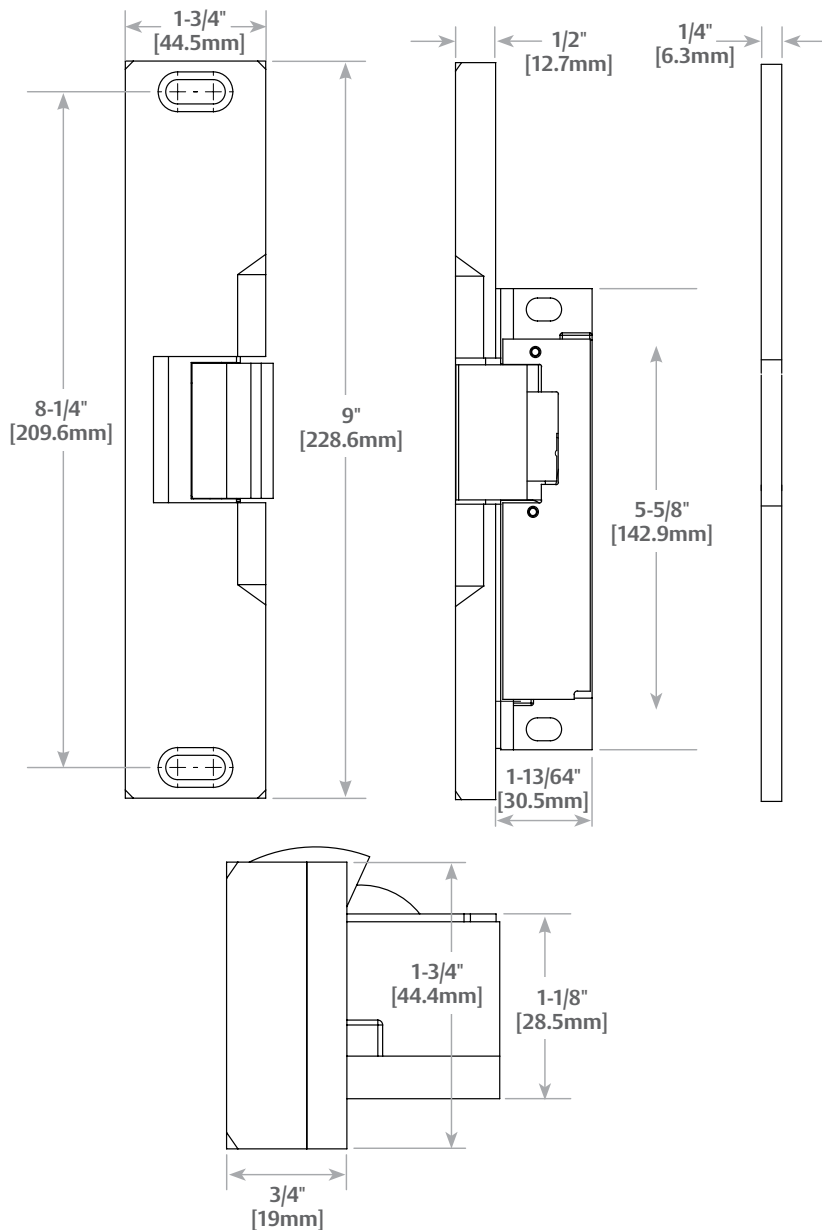
SecuriCare
WarrantyRim Exit
Devices

Fire Rated

Burglary
Rated

HES Folger Adam 310-4 Electric Strike

Dimensions Model 310-4 shown



Specifications

Certifications

- UL 10C, 3-hour fire rated (fail secure only)
- CAN4-S104 (ULC-S104) fire door conformant
- UL 1034, burglary-resistant listed
- UL 294 listed
- ANSI/BHMA A156.31, Grade 1
- NFPA-252 fire door conformant
- ASTM-E152 fire door conformant
- RoHS compliant

Electrical (Continuous Duty)

- 510 mA at 12 VDC/250 mA at 24 VDC

310-4

For up to 3/4" [19mm] Pullman style latchbolts on single doors

PK keeper standard

310-4S

For Squarebolt® style rim exit devices such as;

- Corbin Russwin® ED4200S, ED5200S and ED5200SA SecureBolt®
- Yale® 7150(F), 7250, 7270M(F) Squarebolt® Exit Devices

SK keeper standard

How to Order

Series	Fail Secure / Safe	Voltage	Finish*	Option (s)
310-4 (S)	- F	- 12D	- 605	- LCBMA
Complete Pacs	(blank) Fail Secure (standard)	12D 12 Volt	605 Bright Brass	LCBMA Latchbolt & locking cam monitor with auxiliary switch
310-4 PK keeper standard; For use with 3/4" Pullman style latchbolts	F Fail Safe	24D 24 Volt	606 Satin Brass	
310-4(S) SK keeper standard; For use with Squarebolt® style rim exit devices			612 Satin Bronze	
			613 Bronze Toned	
			629 Bright Stainless Steel	
			630 Satin Stainless Steel	

NOTE: Electric strike compatibility is determined at time of electric strike product release. ASSA ABLOY is not responsible for incompatibility of products that have changed in design or craftsmanship by their respective manufacturers. When compatibility is a concern, contact Customer Support for application assistance.

HES[®] Folger Adam 310-4-X Electric Strike



*Works with surface
vertical rod exit devices*

The 310-4-X vertical surface mounted series is designed for heavy duty applications on single or double doors.

The all stainless steel construction of this device makes it ideal for high abuse applications. This line of electric strikes will accommodate rim exit devices with a swinging Pullman style latchbolt.

Features

Standard Features

- Tamper resistant, heavy duty construction
- Constructed entirely of stainless steel for strength and corrosion resistance
- Static strength 1,500 lbs
- Dynamic strength 70 ft-lbs
- Endurance 1 million cycles
- Adjustable keeper to allow for door and frame misalignment
- Pullman keeper
- Non-handed
- Fail secure (standard)
- Plug-in connector
- SecuriCare five-year, no-fault, no questions asked warranty (Addition of HES SMART Pac[®] III extends the warranty to 10 years)

Optional Features

- **Fail Safe**
- **LCBMA** Latchbolt & Locking Cam Monitor with Auxiliary Switch

Accessories

- **2001-1** Wire-in bridge rectifier
- **2001M** Plug-in bridge rectifier
- **2004M** ElectroLynx[®] adapter
- **2005M3** SMART Pac[®] III
- **2006M** Plug-in buzzer



Grade 1



SecuriCare
Warranty



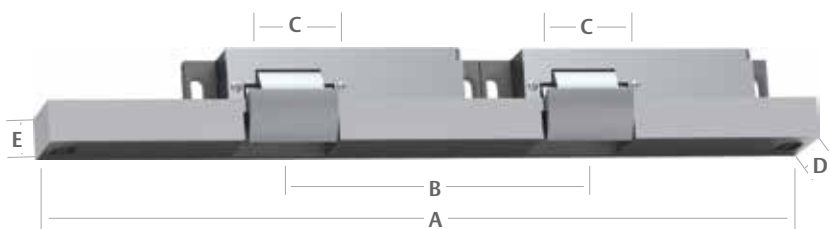
Specialty
Locksets



Burglary
Rated

HES Folger Adam 310-4-X Electric Strike

Dimensions



	A	B	C	D	E
310-4-1	13-3/8" [339.7mm]	4-3/8" [111.125mm]	1-13/16" [46mm]	1-1/2" [38.1mm]	3/4" [19mm]
310-4-2	14" [355.6mm]	5" [127mm]	1-13/16" [46mm]	1-1/2" [38.1mm]	3/4" [19mm]
310-4-3	14-5/8" [371.5mm]	5-5/8" [142.8mm]	1-13/16" [46mm]	1-1/2" [38.1mm]	3/4" [19mm]
310-4-30	12" [304.8mm]	3" [76.2mm]	1-13/16" [46mm]	1-1/2" [38.1mm]	3/4" [19mm]

NOTE: Double-door models are available with four different center-to-center dimensions between latchbolt keepers. Keepers are wide enough to compensate for vertical-rod exit bolts, which may be as much as 3/8" (10mm) off center-to-center dimension, either way.

NOTE: When using an electric strike in conjunction with a vertical-rod exit device:

1. The bottom rod of the exit device must be removed or made inoperative.
2. The latchbolt of the exit device must be the Pullman or beveled type.
3. The latchbolt must be free-latching and remain projected while the door is open. Mechanisms that hold the latchbolt retracted while the door is open, and automatically release it when the door is closed, must be removed or made inoperative.

Specifications

Certifications

- UL 1034, burglary-resistant listed
- UL 294 listed
- ANSI/BHMA A156.31, Grade 1
- RoHS compliant

Electrical (Continuous Duty)

- 510 mA at 12 VDC/250 mA at 24 VDC

310-4-1

For both leaves of a pair of doors when spacing of the vertical rod is between 4" [101.6mm] and 4-3/4" [120.65mm]

PK keeper standard

310-4-2

For both leaves of a pair of doors when spacing of the vertical rod is between 4-5/8" [111.125mm] and 5-3/8" [136.5mm]

PK keeper standard

310-4-3

For both leaves of a pair of doors when spacing of the vertical rods is between 5-1/4" [133.35mm] and 6" [152.4mm]

PK keeper standard

310-4-30

For both leaves of a pair of doors when spacing of the vertical rod is between 2-5/8" [66.675mm] and 3-3/8" [85.725mm]

PK keeper standard

How to Order

Series	Keeper Style	Fail Secure / Safe	Voltage	Finish	Option (s)
310-4-X		F	- 24D	- 612	- LCBMA
Complete Pacs	(PK) For use with 3/4" Pullman style latchbolts	(blank) Fail Secure (standard)	12D 12 Volt	605 Bright Brass	LCBMA Latchbolt & locking cam monitor with auxiliary switch
1 For use with vertical rod spacing between 4" and 4-3/4"		F Fail Safe	24D 24 Volt	606 Satin Brass	
2 For use with vertical rod spacing between 4-5/8" and 5-3/8"				612 Satin Bronze	
3 For use with vertical rod spacing between 5-1/4" and 6"				613 Bronze Toned	
30 For use with vertical rod spacing between 2-5/8" and 3-3/8"				629 Bright Stainless Steel	
				630 Satin Stainless Steel	

NOTE: Electric strike compatibility is determined at time of electric strike product release. ASSA ABLOY is not responsible for incompatibility of products that have changed in design or craftsmanship by their respective manufacturers. When compatibility is a concern, contact Customer Support for application assistance.

HES[®] Folger Adam 310-6-X Electric Strike

*Works with concealed
vertical rod exit devices*



310-6-X



310-6-8

The 310-6-X vertical mounted series is designed for heavy duty applications on single or double doors.

The all stainless steel construction of this device makes it ideal for high abuse applications. This line of electric strikes will accommodate rim exit devices with a swinging Pullman style latchbolt.

Features

Standard Features

- Tamper resistant, heavy duty construction
- Constructed entirely of stainless steel for strength and corrosion resistance
- Static strength 1,500 lbs
- Dynamic strength 70 ft-lbs
- Endurance 1 million cycles
- Adjustable keeper allows for door and frame misalignment
- Non-handed
- Fail secure (standard)
- Plug-in connector
- SecuriCare five-year, no-fault, no questions asked warranty (Addition of HES SMART Pac[®] III extends the warranty to 10 years)

Optional Features

- **Fail Safe**
- **LCBMA** Latchbolt & Locking Cam Monitor with Auxiliary Switch

Accessories

- **2001-1** Wire-in bridge rectifier
- **2001M** Plug-in bridge rectifier
- **2004M** ElectroLynx[®] adapter
- **2005M3** SMART Pac[®] III
- **2006M** Plug-in buzzer

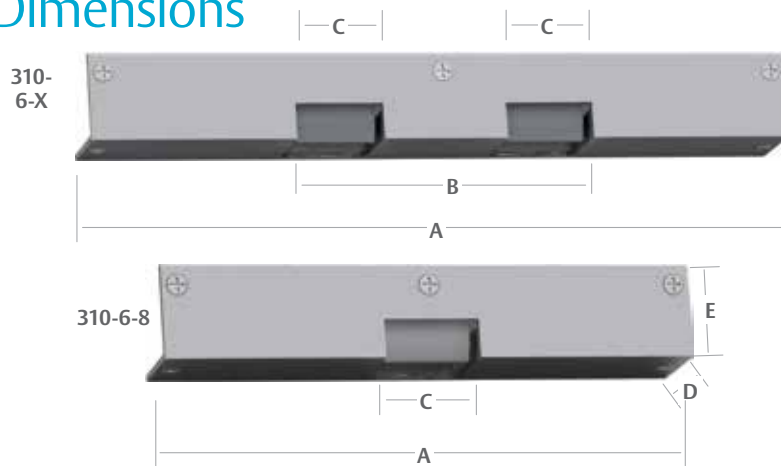


Grade 1

SecuriCare
WarrantySpecialty
LocksetsBurglary
Rated

HES Folger Adam 310-6-X Electric Strike

Dimensions



	A	B	C	D	E
310-6-1	14-1/2" [368.3mm]	4-3/8" [111.125mm]	1-13/16" [46mm]	1-3/4" [44.45mm]	1-3/4" [44.45mm]
310-6-2	15-1/8" [384.2mm]	5" [127mm]	1-13/16" [46mm]	1-3/4" [44.45mm]	1-3/4" [44.45mm]
310-6-3	15-3/4" [400.05mm]	5-5/8" [142.8mm]	1-13/16" [46mm]	1-3/4" [44.45mm]	1-3/4" [44.45mm]
310-6-30	13-1/8" [333.4mm]	3" [76.2mm]	1-13/16" [46mm]	1-3/4" [44.45mm]	1-3/4" [44.45mm]
310-6-8	10-7/8" [276.3mm]	-	1-13/16" [46mm]	1-3/4" [44.45mm]	1-3/4" [44.45mm]

NOTE: Double-door models are available with four different center-to-center dimensions between latchbolt keepers. Keepers are wide enough to compensate for vertical-rod exit bolts, which may be as much as 3/8" (10mm) off center-to-center dimension, either way.

NOTE: When using an electric strike in conjunction with a vertical-rod exit device:

1. The bottom rod of the exit device must be removed or made inoperative.
2. The latchbolt of the exit device must be the Pullman or beveled type.
3. The latchbolt must be free-latching and remain projected while the door is open. Mechanisms that hold the latchbolt retracted while the door is open, and automatically release it when the door is closed, must be removed or made inoperative.

NOTE: The electric strike will not operate with a deadbolt style vertical rod.

How to Order

Series	Fail Secure / Safe	Voltage	Finish	Option (s)
310-6-X	F	-24D	-612	-LCBMA
Complete Pacs	(blank) Fail Secure (standard)	12D 12 Volt	605 Bright Brass	LCBMA Latchbolt & locking cam monitor with auxiliary switch
1 For use with vertical rod spacing between 4" and 4-3/4"	F Fail Safe	24D 24 Volt	606 Satin Brass	
2 For use with vertical rod spacing between 4-5/8" and 5-3/8"		612 Satin Bronze		
3 For use with vertical rod spacing between 5-1/4" and 6"		613 Bronze Toned		
30 For use with vertical rod spacing between 2-5/8" and 3-3/8"		629 Bright Stainless Steel		
		630 Satin Stainless Steel		

NOTE: Electric strike compatibility is determined at time of electric strike product release. ASSA ABLOY is not responsible for incompatibility of products that have changed in design or craftsmanship by their respective manufacturers. When compatibility is a concern, contact Customer Support for application assistance.

Specifications

Certifications

- UL 1034, burglary-resistant listed
- UL 294 listed
- ANSI/BHMA A156.31, Grade 1
- RoHS compliant

Electrical (Continuous Duty)

- 510 mA at 12 VDC/250 mA at 24 VDC

310-6-1

For both leaves of a pair of doors when spacing of the vertical rods is between 4" [101.6mm] and 4-3/4" [120.65mm]

PK keeper standard

310-6-2

For both leaves of a pair of doors when spacing of the vertical rods is between 4-5/8" [117.475mm] and 5-3/8" [136.525mm]

PK keeper standard

310-6-3

For both leaves of a pair of doors when spacing of the vertical rods is between 5-1/4" [133.35mm] and 6" [152.4mm]

PK keeper standard

310-6-8

For only the active leaf of a pair

PK keeper standard

310-6-30

For both leaves of a pair of doors when spacing of the vertical rods is between 2-5/8" [66.7mm] and 3-3/8" [85.7mm]

PK keeper standard

HES[®] Folger Adam 700 Electric Strike

Works with cylindrical and mortise locksets without a deadbolt



The HES Folger Adam 700 series is a 3-hour fire rated, industrial grade electric strike designed for extreme heavy duty applications.

The all stainless steel construction of this device makes it ideal for high abuse applications. The HES Folger Adam 700 Series is designed to accommodate 1/2" throw latchbolts, and the HES Folger Adam 712-75 is designed to accommodate 3/4" latchbolts.*

**NOTE: These products will require relocation of the center line when used with mortise locks. Consult customer support regarding use with the Best 40 series.*

Features

Standard Features

- Tamper resistant, heavy duty construction
- Constructed entirely of stainless steel for strength and corrosion resistance
- Static strength 1,500 lbs
- Dynamic strength 70 ft-lbs
- Horizontally adjustable keeper allows for door and frame misalignment
- 1/2" [12.7mm] keeper depth (712 and 732)
- 3/4" [19mm] keeper depth (712-75 and 732-75)
- Non-handed
- Fail secure (standard)
- Plug-in connector
- SecuriCare five-year, no-fault, no questions asked warranty (Addition of HES SMART Pac[®] III extends the warranty to 10 years)

Optional Features

- **Fail Safe**
- **LBMLCM** Latchbolt & Locking Cam Monitor

Accessories

- **150** Strike latch guard
- **152** Universal mounting tabs
- **2001-1** Wire-in bridge rectifier
- **2001M** Plug-in bridge rectifier
- **2004M** Electrolynx[®] adapter
- **2005M3** SMART Pac[®] III
- **2006M** Plug-in buzzer



Grade 1



SecuriCare
Warranty



Cylindrical
Locksets



Mortise Locks
without
Deadbolt



PoE
Friendly



Fire Rated



Burglary
Rated

HES Folger Adam 712 Electric Strike

Dimensions

**712**

For use with 1/2" [12.7mm] to 5/8" [15.9mm] throw latchbolts in hollow metal frame applications.

1/2" [12.7mm]
Keeper standard

Specifications

Certifications

- UL 10C fire rated, 3-hour single door (fail secure only)
- UL 10C fire rated, 3-hour double door (fail secure only)
- CAN4-S104 (ULC-S104) fire door conformant
- UL 1034, burglary-resistant listed
- UL 294 listed
- ANSI/BHMA A156.31, Grade 1
- NFPA-252 fire door conformant
- ASTM-E152 fire door conformant
- RoHS compliant

Electrical (Continuous Duty)

- 290 mA at 12 VDC/150 mA at 24 VDC
- PoE friendly

**712-75**

For use with 1/2" [12.7mm]*, 5/8" [15.9mm]* or 3/4" [19mm] throw latchbolts in hollow-metal frame applications.

3/4" [19mm]
Keeper standard

**732**

For use with 1/2" [12.7mm]* to 5/8" [15.9mm]* throw latchbolts in wood frame applications. Features an offset solenoid.

1/2" [12.7mm]
Keeper standard

**732-75**

For use with 1/2" [12.7mm]*, 5/8" [15.9mm]* or 3/4" [19mm] throw latchbolts in wood frame applications. Features an offset solenoid.

3/4" [19mm]
Keeper standard

*NOTE: When using LBMLCM with a 1/2" [12.7mm] or 5/8" [15.9mm] keeper latchbolt, detection may be dependent on the door gap.

How to Order

Series	Fail Secure / Safe	Voltage	Finish	Option (s)
712	- F	- 24D	- 630	- LBMLCM
Complete Pacs	(blank) Fail Secure (standard)	12D 12 Volt	605 Bright Brass	LBMLCM Latchbolt & locking cam monitor
712 1/2" keeper standard; hollow metal frames, for up to a 5/8" throw latchbolt	F Fail Safe	24D 24 Volt	606 Satin Brass	
712-75 3/4" keeper standard; hollow metal frames, for up to a 3/4" throw latchbolt without deadbolt		612 Satin Bronze		
732 1/2" keeper standard; wood frames, for up to a 5/8" throw latchbolt		613 Bronze Toned		
732-75 3/4" keeper standard; wood frames, for up to a 3/4" throw latchbolt without deadbolt		629 Bright Stainless Steel		
				630 Satin Stainless Steel

*LCBMA not available with 310-2 3/4OB

NOTE: Electric strike compatibility is determined at time of electric strike product release. ASSA ABLOY is not responsible for incompatibility of products that have changed in design or craftsmanship by their respective manufacturers. When compatibility is a concern, contact Customer Support for application assistance.

HES[®] Folger Adam 742 Electric Strike

Works with all major mortise and cylindrical locksets with up to 3/4" throw latchbolt



The 742-75 series is a 3-hour fire rated, industrial grade electric strike designed for extreme heavy duty applications.

The all stainless steel construction of this device makes it ideal for high abuse applications. The HES Folger Adam 742-75 Series comes standard with a variety of brackets to accommodate all major mortise and cylindrical locks with up to a 3/4" throw latchbolts.*This is the one electric strike to choose when you are uncertain of which lockset you may encounter.

**NOTE: HES Folger Adam 742-75 is designed to work with a variety of mortise locks without deadbolts, including the Schlage L9000 and Yale 8800 without relocating the strike prep in the frame. Consult customer support regarding use with the Best 40 series.*

Features

Standard Features

- Tamper resistant, heavy duty construction
- Constructed entirely of stainless steel for strength and corrosion resistance
- Static strength 1,500 lbs
- Dynamic strength 70 ft-lbs
- Endurance 1 million cycles
- Horizontally adjustable keeper to allow for door and frame misalignment
- Deadlatch tabs included
- 3/4" [19mm] keeper depth
- Non-handed
- Fail secure (standard)
- Plug-in connector
- Full keeper shim
- SecuriCare five-year, no-fault, no questions asked warranty (Addition of HES SMART Pac[®] III extends the warranty to 10 years)

Optional Features

- **Fail Safe**
- **LBMLCM** Latchbolt & Locking Cam Monitor

Accessories

- **150** Strike latch guard
- **152** Universal mounting tabs
- **2001-1** Wire-in bridge rectifier
- **2001M** Plug-in bridge rectifier
- **2004M** Electrolynx[®] adapter
- **2005M3** SMART Pac[®] III
- **2006M** Plug-in buzzer



Grade 1

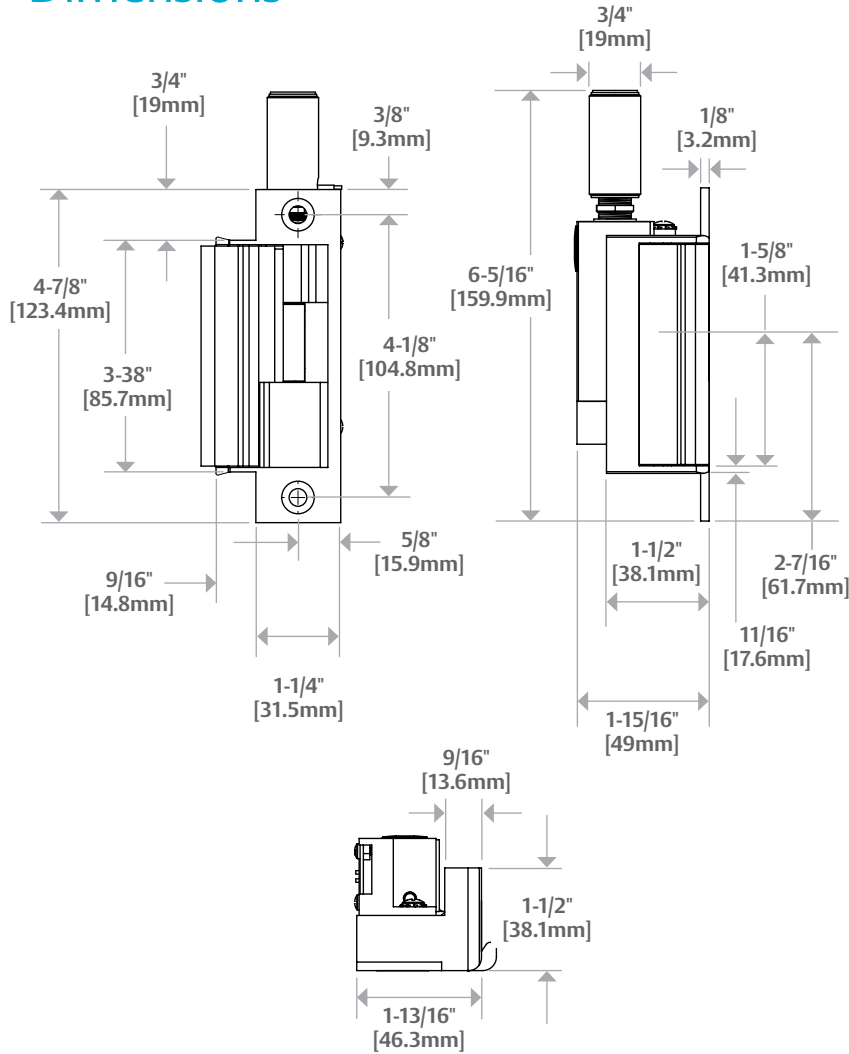
SecuriCare
WarrantyCylindrical
LocksetsMortise Locks
without
DeadboltPoE
Friendly

Fire Rated

Burglary
Rated

HES Folger Adam 742 Electric Strike

Dimensions



Specifications

Certifications

- UL 10C fire rated, 3-hour single door (fail secure only)
- UL 10C fire rated, 1-1/2 hour double door (fail secure only)
- CAN4-S104 (ULC-S104) fire door conformant
- UL 1034, burglary-resistant listed
- UL 294 listed
- ANSI/BHMA A156.31, Grade 1
- NFPA-252 fire door conformant
- ASTM-E152 fire door conformant

Electrical (Continuous Duty)

- 290 mA at 12 VDC/150 mA at 24 VDC
- PoE friendly

742-75

For use with 1/2" [12.7mm]*, 5/8" [15.9mm]* or 3/4" [19mm] throw latchbolts in hollow metal frame applications









*NOTE: When using LBMLCM with a 1/2" [12.7mm] or 5/8" [15.9mm] keeper latchbolt detection may be dependent on the door gap.

How to Order

Series	Fail Secure / Safe	Voltage	Finish	Option (s)
742-75	- F	- 12D	- 613	- LBMLCM
Complete Pacs	(blank) Fail Secure (standard)	12D 12 Volt	605 Bright Brass	LBMLCM Latchbolt & locking cam monitor
742-75 Hollow metal frames, for up to a 3/4" throw latchbolt without deadbolt	F Fail Safe	24D 24 Volt	606 Satin Brass	
			612 Satin Bronze	
			613 Bronze Toned	
			629 Bright Stainless Steel	
			630 Satin Stainless Steel	

NOTE: Electric strike compatibility is determined at time of electric strike product release. ASSA ABLOY is not responsible for incompatibility of products that have changed in design or craftsmanship by their respective manufacturers. When compatibility is a concern, contact Customer Support for application assistance.

Accessories

ITEM	ACCESSORY	DESCRIPTION
	HES-CUT-MTK Metal template kit	<ul style="list-style-type: none"> • For installing the HES 1006, 1500, 1600, 4500, 5000, 5200, 7000 and 7501 electric strikes. • 4-7/8" [123.8mm] ANSI jamb preparation only.
	9000-MTK Metal template kit	<ul style="list-style-type: none"> • For installing the HES 9400, 9500, 9600, 9700, and 9800 surface mounted electric strikes. • Magnetic backing.
	SMB Surface mounting box	<ul style="list-style-type: none"> • Installs on inactive door of pair of doors to accommodate rim-exit devices. To be used with the HES 7000 (783S and 789S), 9400, 9500, 9600, 9700 and 9800 electric strikes series. • Available in black finish only.
	150 Strike latch guard	<ul style="list-style-type: none"> • Stainless steel. Installed at the edge of the door to cover the lock and electric strike.
	152 Universal mounting tabs	<ul style="list-style-type: none"> • Mount inside hollow metal and aluminum jambs.
	157 Torx® screws	<ul style="list-style-type: none"> • Two (2) 12-24 UNC x 3/4" [19mm] FH Tamper resistant Pin-in-Torx® screws.
	157D Torx® security bit	<ul style="list-style-type: none"> • Tamper resistant Torx® R20 insert bit.
	310-2-3 Astragal strike latch guard	<ul style="list-style-type: none"> • Designed to prevent tampering with the latchbolt, and the latchbolt keeper. Prevents one door from being opened before the other.

Accessories

ITEM	ACCESSORY	DESCRIPTION
	2001-1 Wire-in bridge rectifier	<ul style="list-style-type: none"> Converts AC to unfiltered DC. Rated 35 V, 2 Amp. Not recommended for HES 1006 Electric Strike.
	2001M Plug-in bridge rectifier	<ul style="list-style-type: none"> Converts AC to unfiltered DC. Rated 35 V, 1 Amp. Includes MOV and self-resettable fuse Not recommended for HES 1006 Electric Strike.
	2004M Electrolynx® adapter	<ul style="list-style-type: none"> Adapter between existing HES electric strikes and ElectroLynx® connectors.
	2005M3 SMART Pac® III <i>Addition of Smart Pac to any electric strike extends the 5 year no-fault warranty to a 10 year no-fault warranty.</i>	<ul style="list-style-type: none"> In-line power controller able to receive input voltages from 12- 32V AC or DC. Built-in bridge rectifier. Reduces initial voltage by 25% to extend the life of the electric strike. Includes built-in resettable fuse, MOV, voltage regulation and input voltage level indicating and unit status. For use with 1006, input voltage must be DC.
	2006M Plug-in buzzer	<ul style="list-style-type: none"> Audible operation indicator at 24 VDC, 75db at 11-3/4".
	2007M Plug-in pigtail connectors	<ul style="list-style-type: none"> With 4" wire leads.

Compatibility Chart

ASSA ABLOY Electronic Security Hardware				Adams Rite	Von Duprin	RCI	Trine	SDC
HES Complete One Box Solutions	HES Standard Models	Securitron Complete One Box Solutions	HES Folger Adam Models					
1006CS, 1006CLB	1006J		712-75, 732-75		VD3140, 6211 6400	F2164	4100	55
1006CS, 1006CLB	1006K, 1006KD, 1006KM		742-75		6210 6400	F2164	4100	
1006CAS	1006A, 1006AD, 1006AM							
1006CS, 1006CDB	1006N, 1006ND, 1006NM				6210	F2164		
1006CAS	1006T, 1006TD							
1006CS, 1006CDB	1006H, 1006HD, 1006HM					F2164		
1006CS, 1006CDB	1006E							
1006CS	1006Z							
	1006R							
	1006J2		310-2, 310-2 3/4		6215, 6224, 6226			
1006CDB	1006H-2		310-3-1		6216			
4500C			742-75		6210	F2164	4100	
5000C	5000-501			7140, 7440	4200, 5100	L6514		25-4U
5000C	5000-501A			7100, 7160, 7400	4200, 5100	L6504		25-4U
	5000-502			7110, 7410	5100	L6508		
	5000-503			7130, 7430		L6507		
	5000-504			7111, 7411				
5200C	5200-501				5100	S6514, 7114, 7314	2012	45-4S
5200C	5200-501A				5100	S6504, 7104, 7304		45-4R
	5200-502				5100	S6508, 7108, 7308	2002	45-7R
	5200-503					S6507, 7107, 7307	2678	145-6R
	5200-504							

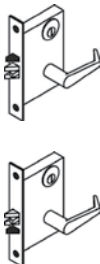

Compatibility Chart

ASSA ABLOY Electronic Security Hardware				Adams Rite	Von Duprin	RCI	Trine	SDC
HES Complete One Box Solutions	HES Standard Models	Securtron Complete One Box Solutions	HES Folger Adam Models					
7000C	7000-791		712, 732	7400, 7401, 7440				
7000C	7000-792			7410, 7411				
				74R1				
				74A				
				74R2				
7501	7501							
8000C	8000-801, 8000-801A, 8300-801, 8300-801A	UNL						
	8000-801E, 8000-802, 8000-803, 8300-801E, 8300-802, 8300-803	UNL						
	8500-851M, 8500-852K, 8500-852L, 8500-852M	MUNL						
9400	9400		310-4	74R2		0563	4850	
9500	9500				6300	F0162	4800F	
9600	9600			74R1		0162	4800	
			310-20B			6222, 6225		
			310-4			6212, VD3146		
9700	9700		310-4S				4801	
			310-4-1, 310-4-2, 310-4-3, 310-4-30					
			310-6-1, 310-6-2, 310-6-3, 301-6-8, 310-6-30					
9800				7800				

NOTE: This chart is offered as a convenience only. Reference should be made to the individual manufacturer's catalogs for complete data as to exact equivalents. There may be some variation in physical size, electrical characteristics and durability between strikes of different manufacturers. ASSA ABLOY Electronic Security Hardware assumes no liability for differences between items compared. When compatibility is a concern, contact Customer Support at 800-626-7590 for application assistance. NOTE: The 109 trim adapter may be required for a neater appearance in retrofit applications where the strike lip dimensions exceed 3-3/8" [85.725mm].

NOTE: This chart details the HES and Folger Adam products that can replace competitors products but not necessarily the reverse.




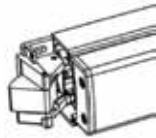
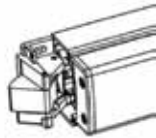
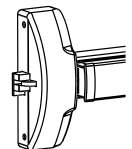
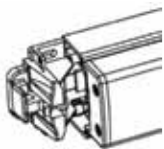
Lock Cross Reference

ANSI Lock	Description	Manufacturer	Electric Strikes
	Mortise locksets Mortise lockset without a deadbolt	Arrow, Baldwin, Best, Marks, Omnia, PDQ	HES 1006CS, 1600CS, 1006CLB, 1600CLB, 1006KM, 16001LB, 1500C, 4500C, Securitron MUNL
		Corbin Russwin ML2000 and Arrow	HES 1006CS, 1600-CS, 1006CLB, 1600-CLB, 1006-KM, 1600-1LB, 1500C, 4500C, 8500-852K, HES Folger Adam 742-75, Securitron MUNL
		Sargent 7700 and 8100 Schlage L9000	HES 1006CS, 1600-CS, 1006CLB, 1600-CLB, 1006-KD, 1600-1LB, 1500C, 4500C, 8500-851M, (Sargent 8100 only), 8500-852L, HES Folger Adam 742-75, Securitron MUNL
		Sargent 7900, 8200, and 9200	HES 1006CS, 1600-CS, 1006CLB, 1600-CLB, 1006-KM, 1600-1LB, 1500C, 4500C, 8500-851M, 8500-852L, HES Folger Adam 742-75, Securitron MUNL (requires STK-1 tab kit)
		Accurate, Falcon, Kaba Ilco/Unican, Yale 8700 (manufactured after 2005), Yale 8800	HES 1006CS, 1600-CS, 1006CLB, 1600-CLB, 1006-KD, 1600-1LB, 1500C, 4500C, 8500-852M, Securitron MUNL
	Mortise locksets Mortise lockset with a 1" [25.4mm] deadbolt	Accurate, Almet, Arrow, Baldwin, Best, Marks, Corbin Russwin, Falcon, Omnia, PDQ, Schlage	HES 1006CS*, 1600-CS*, 1006CDB*, 1600-CDB* 1006-HD*, 1006-ND*, 1006CAS
		Sargent, Yale	HES 1006CS*, 1600-CS*, 1006CDB*, 1600-CDB* 1006-HD*, 1006-ND*, 1006CAS

*Not intended for continuous recapture of a 1" [25.4mm] deadbolt - use 1006CAS

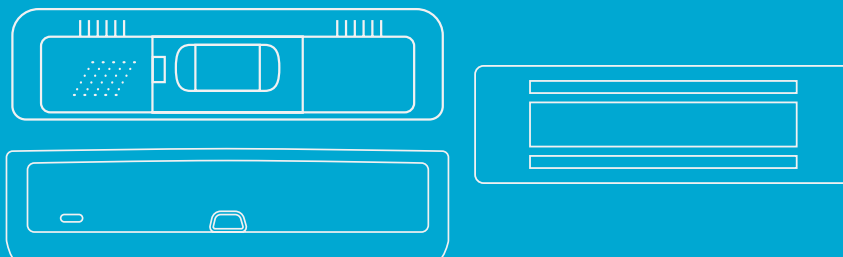
NOTE: This chart is offered as a resource only. Electric strike compatibility is determined at time of electric strike product release. ASSA ABLOY is not responsible for incompatibility of products that have changed in design or craftsmanship by their respective manufacturers. When compatibility is a concern, contact Customer Support at 800-626-7590 for application assistance.

Lock Cross Reference

ANSI Lock	Description	Manufacturer	Electric Strikes
	Cylindrical lockset Latchbolt for aluminum stile doors	All manufacturers	HES 5000C, 5200C, 1500C, 7000C, 1006-J, 1600-1LB, Securitron UNL
	Cylindrical lockset Cylindrical lockset up to 5/8" [15.875mm] throw	All manufacturers	HES 1006CS, 1600-CS, 1006CLB, 1600-CLB, 1006-J, 1600-1LB, 1500C, 4500C, 5000C, 7000C, 8000C, 8300C, HES Folger Adam 712, 310-2, Securitron UNL, Vista V3 (now Alarm Controls AES300)
	Cylindrical lockset Cylindrical lockset up to 3/4" [19mm] throw	All manufacturers	HES 1006CS, 1600-CS, 1006CLB, 1600-CLB, 1006-J, 1600-1LB, 1500C, 4500C, 5200C, 7501, HES Folger Adam 310-75, 712-75
	Rim mounted Pullman rim mounted exit device up to 1/2" [12.7mm] throw	All manufacturers	HES 9400, 7000-7895
	Rim mounted Pullman rim mounted exit device up to 3/4" [19mm] throw	All manufacturers	HES 9500, 9600, 7000-783S, 7000-786S, HES Folger Adam 310-4
	Rim mounted Squarebolt® style rim mounted exit devices	Corbin Russwin (SecureBolt®), Yale (SquareBolt®)	HES 9700, HES Folger Adam 310-4S
	Rim mounted Adams Rite Starwheel and Interlocking Rim Exit Devices	Adams Rite®	HES 9800

- HES and HES Folger Adam electric strikes are designed to be installed in accordance with the ANSI/BHMA A156.31 4-7/8" [123.8mm] jam preparation.
- When accommodating a cylindrical lock, the electric strike is to be installed centerline to centerline.
- When accommodating a mortise lock, the centerline of the electric strike is to be installed 3/8" [9.525mm] above the centerline of the mortise lock, except as noted for individual strikes. HES Folger Adam 712 Series and 310 Series will need special alignment with used with a mortise lock.
- HES electric strikes are all non-handed and designed for installation in hollow metal, concrete filled metal, aluminum and wood jambs.
- HES Folger Adam electric strikes are all non-handed and designed for installation in hollow metal, aluminum and wood jambs.

Electromagnetic Locks



ASSA ABLOY Electronic Security Hardware

The premier supplier of electromagnetic locking solutions.

When you choose a genuine Securitron® Magnalock®, you get quality solutions for high traffic and high security applications plus MagnaCare® Lifetime Replacement No-fault Warranty.



Intelligent & Sustainable Magnalocks

- Available with PIR REX, BondSTAT® and DPS reduce the number of devices to buy and install at the door.
- Sleek, low profile and refined lines for aesthetically demanding applications.
- Patent-pending template and bracket mounting system enable accurate alignment of magnet and armature plate for maximum holding force, installs in less than 22 minutes.
- Reduces energy consumption by up to 80%.

Durable Magnalocks

- Lower power usage than competitor locks. At three watts (less wattage than a typical nightlight), a Securitron Magnalock operates efficiently with a smaller power supply, thinner wiring and longer battery backup. Securitron Magnalocks consume less energy, generate less heat and outlast the competition.
- 100% waterproof design, shock absorbing polyurethane, stainless steel casing and plated lock face that is impervious to corrosion operate from -40°F to 140°F [-40°C to 60°C].
- Instant release circuit with no residual magnetism and no inductive kickback.



**MagnaCare
Warranty**

All Securitron Magnalocks Include

- Automatic dual-voltage uses 12 or 24 volt power supply and protects Magnalock
- World-class technical support experts, ready to assist you in selecting hardware, wiring and troubleshooting your opening
- Collapsing blind nuts, securely anchor Magnalocks to the frame with 1,000 lbs of tensile strength
- Excellent product quality—Magnalocks are manufactured in an ISO9001 and ISO14001 certified factory in Phoenix, AZ
- MagnaCare®, the best warranty in the industry – lifetime replacement, no-fault, no questions asked

Securitron® M380 Magnalock®

The 600 lbs holding force, bracket mounted intelligent Magnalock



Intelligent, stylish and secure with advanced features and amazingly easy to install.

The Securitron M380 provides strong hold in a stylish way. With unsurpassed intelligence, an integrated optional REX and incredible ease of installation, it sets a new standard for maglocks.

A built-in, auto voltage-sensing microprocessor along with patented BondSTAT and door position monitoring plus advanced options such as integrated and REX for the most functional maglock ever. The newest addition to the aesthetically pleasing line of maglocks the Securitron M380 look is refined enough for the most discriminating designer openings with consolidated features that eliminate the clutter of multiple devices around the door. The fastest, easiest, most secure installation of any bracket mount maglock.

Watch how easy at: bit.ly/2EqGD0L

Features

Standard Features

- PoE friendly
- Sustainability documentation
- Tamper resistant
- Efficient, low power usage
- Automatic dual-voltage —no field adjustment required
- Bracket mounting provides the easiest install for out-swing doors
- Size optimized for use with door closers
- Rust resistant—all ferrous metal surfaces plated for durability
- Instant release circuit —no residual magnetism
- LED visual locked status with configurable red/green color output
- Sleek, low profile and refined lines for improved aesthetics
- Wire chamber with anti-tamper switch
- Adjustable automatic relock timer (0 to 30 seconds)

- Ultra-secure collapsing blind nuts mount to door frame for strength and reliability
- MagnaCare® lifetime replacement, no-fault, no questions asked warranty

Optional Features

- **B** Patented BondSTAT magnetic bond sensor
- **D** Integrated Door Position Switch (DPS)
- **X** Integrated passive infrared request to exit

For easy 3D instructions, download the BILT mobile app



Grade 3



MagnaCare Warranty



Auto Sensing Dual Voltage 12/24



PoE Friendly



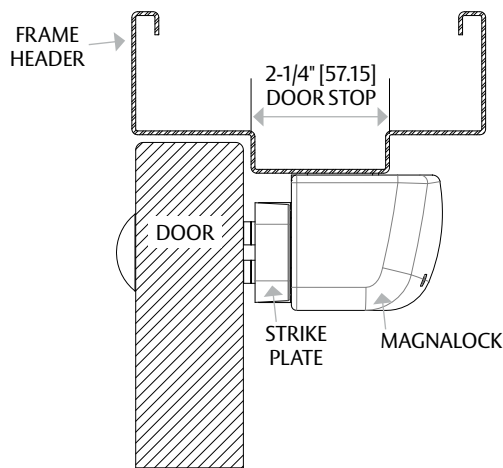
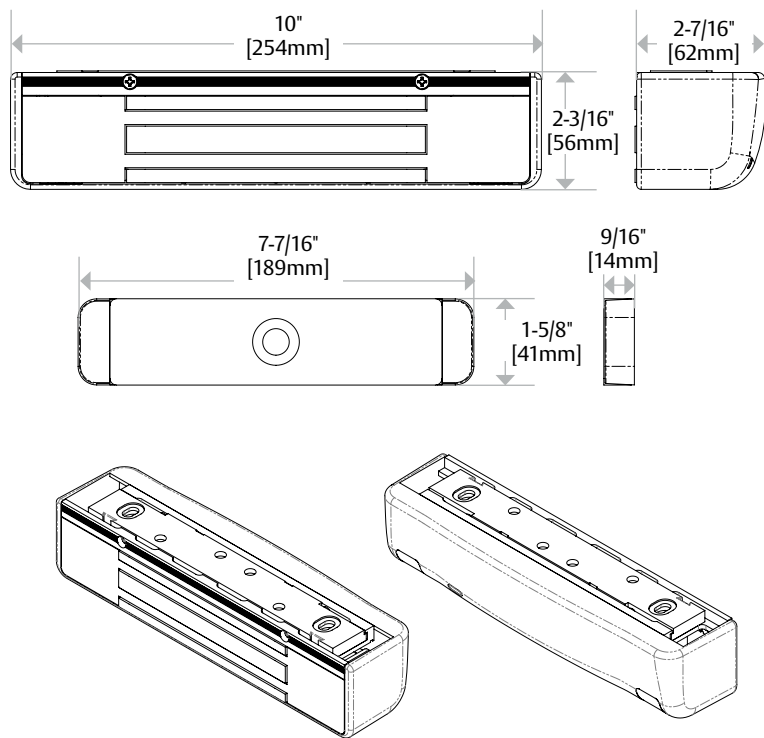
Fire Rated



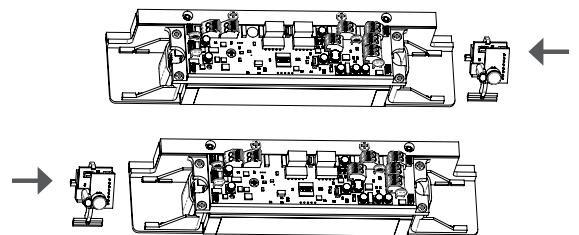
Preload

Securitron M380 Magnalock

Dimensions



Fits in 2-1/4" [57.15mm] of flat mounting space



The optional REX is designed as a modular component that can be installed on either the left side or the right side of the magnet. The position of the REX module can be easily field configured for better positioning on the door.

Specifications

Certifications

- UL 10C Listed
- UL 1034 Listed
- CAN4-S104, CAN/ULC Listed
- ANSI/BHMA A156.23, Grade 3; E18501-500, E18531-500 Compliant
- CSFM—California State Fire Marshal Approved

Electrical

- 510 mA at 12 VDC
- 270 mA at 24 VDC

Holding Force

- 600 lbs [272kg]

Operating Temperature

- 32° to 110°F [0° to 43°C]
- Indoor use only

Shipping Weight

- 8 lbs [3.6kg]

How to Order

Model Series	Monitoring Options	Accessory Options	Finish Options
M380	BD	X	- 313
M370 600 lbs	(blank) No Monitoring	(blank) No Accessory Options	(blank) Satin Aluminum Clear
M380 600 lbs	BD BondSTAT Monitor & Door Position Switch	X PIR Request to Exit	605 Bright Brass
			606 Satin Brass
			612 Satin Bronze
			313 Satin Brown

Securitron® M680E EcoMag Sustainable Magnalock®

*1,200 lbs holding force,
bracket mounted,
sustainable Magnalock*



The same unsurpassed intelligence, style and convenience as the previous M680 series, but with 80% reduction in energy consumption.

The Securitron M680E is intelligent, with built-in door prop sensing allowing the magnet to de-energize the coil when the door is held open for extended periods. The Securitron M680EBD offers built-in smart voltage sensing, integrated patented BondSTAT, tamper sensor as well as door position status monitoring. The aesthetics and design finishes of the EcoMag are refined enough for the most discriminating designer openings. It also offers the fastest, easiest, most secure installation of any bracket mount maglock with an updated strike plate mounting template. The optional integrated request to exit (REX) provides optimum coverage for detecting an approaching person so the door unlocks for egress.

Features

Standard Features

- Strike plate mounting template provides the easiest install for out-swing doors
- LED Indicator shows the lock is secure, open, or has an incomplete bond
- Wire chamber anti-tamper switch
- Tamper Switch sends an alarm output if the cover is removed and is selectable to NO or NC
- Available integrated BondSTAT and Door Position Switch
- Autosensing dual voltage with microprocessor technology
- Adjustable automatic relock timer (0 to 30 seconds)
- Energy efficient, low power usage
- Size optimized for use with door closers
- MagnaCare® lifetime replacement, no-fault, no questions asked warranty

Optional Features

- **B** Integrated patented BondSTAT magnetic bond sensor
- **D** Integrated Door Position Switch (DPS)
- **X** Integrated passive infrared request to exit

For easy 3D instructions, download the BILT mobile app



Grade 2



MagnaCare
Warranty



Auto Sensing
Dual Voltage
12/24



PoE
Friendly



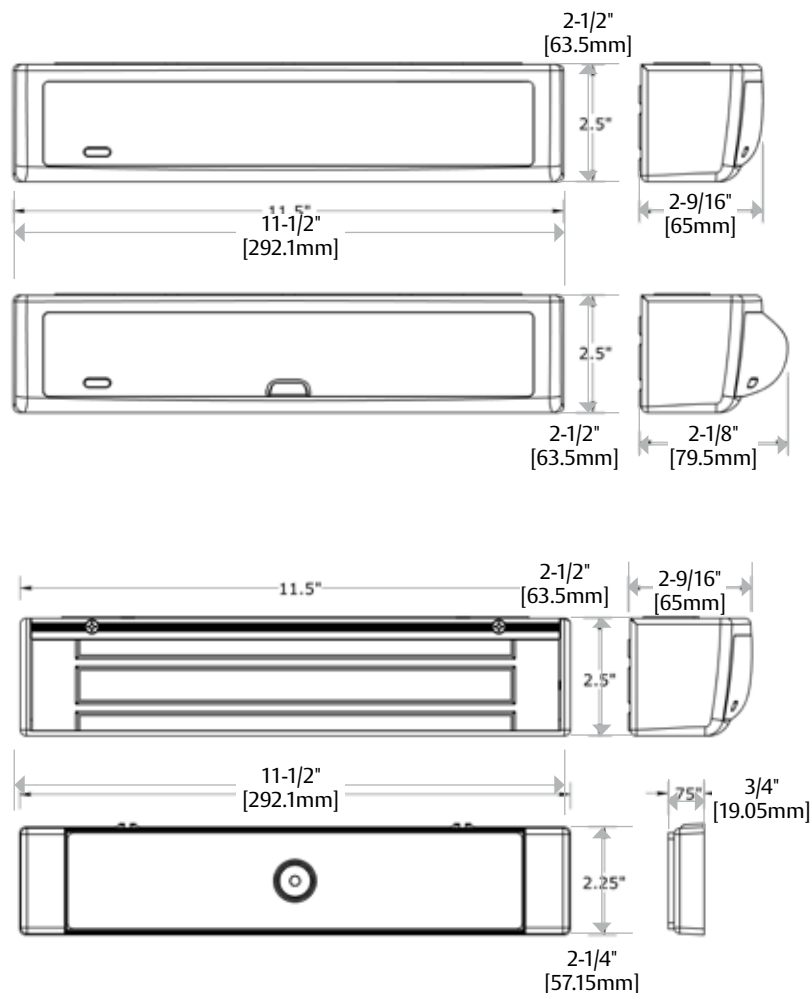
Fire Rated



Preload

Securitron M680E EcoMag Sustainable Magnalock

Dimensions



Specifications

Certifications

- UL 10C Fire Rated, 1 Hour
- CAN/ULC-S104 Fire Door Conformant
- UL 1034 Burglary-Resistant Listed
- UL 294
- ANSI/BHMA A156.23, Grade 2; E18501 Compliant
- California State Fire Marshal Listed

Electrical

- **Maglock Average Power Draw (±10%)**
 - 113mA at 12VDC
 - 52mA at 24VDC
- **Maglock Maximum Power Draw (±10%)**
 - 515mA at 12VDC
 - 290mA at 24VDC
- **REX Power (±10%)**
 - +25mA at 12VDC
 - +10mA at 24VDC

Holding Force

- 1,200 lbs [544kg]

Operating Temperature

- 32° to 110°F [0° to 43°C]
- Indoor use only

Shipping Weight

- 8 lbs [3.6kg]

How to Order

Model Series	Monitoring Options	Accessory Options	Finish Options
M680E	BD	X	- 606
M680E 1,200 lbs	(blank) No Monitoring BD BondSTAT Monitor & Door Position Switch	(blank) No Accessory Options X PIR Request to Exit	628/US28 Satin Aluminum Clear 605/US3 Bright Brass 606/US4 Satin Brass 612/US10 Satin Bronze 613E Dark Oxidized Satin Bronze 629 Bright Stainless Steel 630 Satin Stainless Steel BSP Black Suede Powder WSP* White Suede Powder

*Finish option available soon. Please contact your Sales Representative for product details, availability and pricing.

Securitron® iMXDa Delayed Egress Magnalock®

Configurable, 1,200 lbs holding force, delayed egress Magnalock



Integrated movement exit delay with all-in-one Magnalock.

Prevent losses at emergency exits with Securitron iMXDa. An attempted exit initiates an alarm and initiates a brief delay timer before the lock releases, giving personnel time to respond before an exit occurs. Protect memory care wards, hospitals, dormitories, airports, child care facilities and retail or warehouse environments. Used on out-swing doors, installation requires no alteration or replacement of existing fire-rated or non-fire-rated latching hardware.

Features

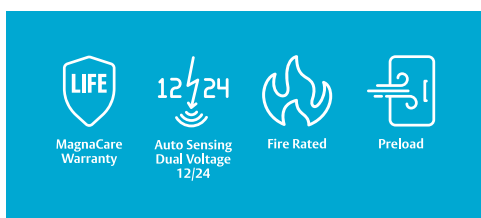
Standard Features

- Automatic dual-voltage —no field adjustment required
- Bracket mounting provides the easiest install for out-swing doors
- Size optimized for use with door closers
- Patented BondSTAT lock bond sensor
- Instant release circuit —no residual magnetism
- Internal wire access chamber
- Easily visible LEDs indicate status on secure side of door
- Advanced intelligent microprocessors provide alarm options and trainable door movement detection to minimize false alarms
- Permits free egress in emergency situations
- Fully integrated delay and detection features for fast installation of delayed egress system
- Easily adjustable door movement detection from 1/8" [3.2 mm] to 1" [25.4 mm]
- External alarm relay isolated dry contact (1A at 24 VDC)
- External reset
- Keyswitch reset

- Configurable settings include:
 - Nuisance alarm times — 0 to 3 seconds
 - Irrevocable delay times — 15 or 30 seconds
 - External bypass delay times — 0, 5, 10, or 15 seconds
 - Post alarm reminder
 - Bypass expiration alarm
 - Manual relock or delayed automatic relock (BOCA)
- Required sign included
- Ultra-secure collapsing blind nuts mount to door frame for strength and reliability
- Rust resistant – all ferrous metal surfaces plated for durability
- MagnaCare® lifetime replacement, no-fault, no questions asked warranty

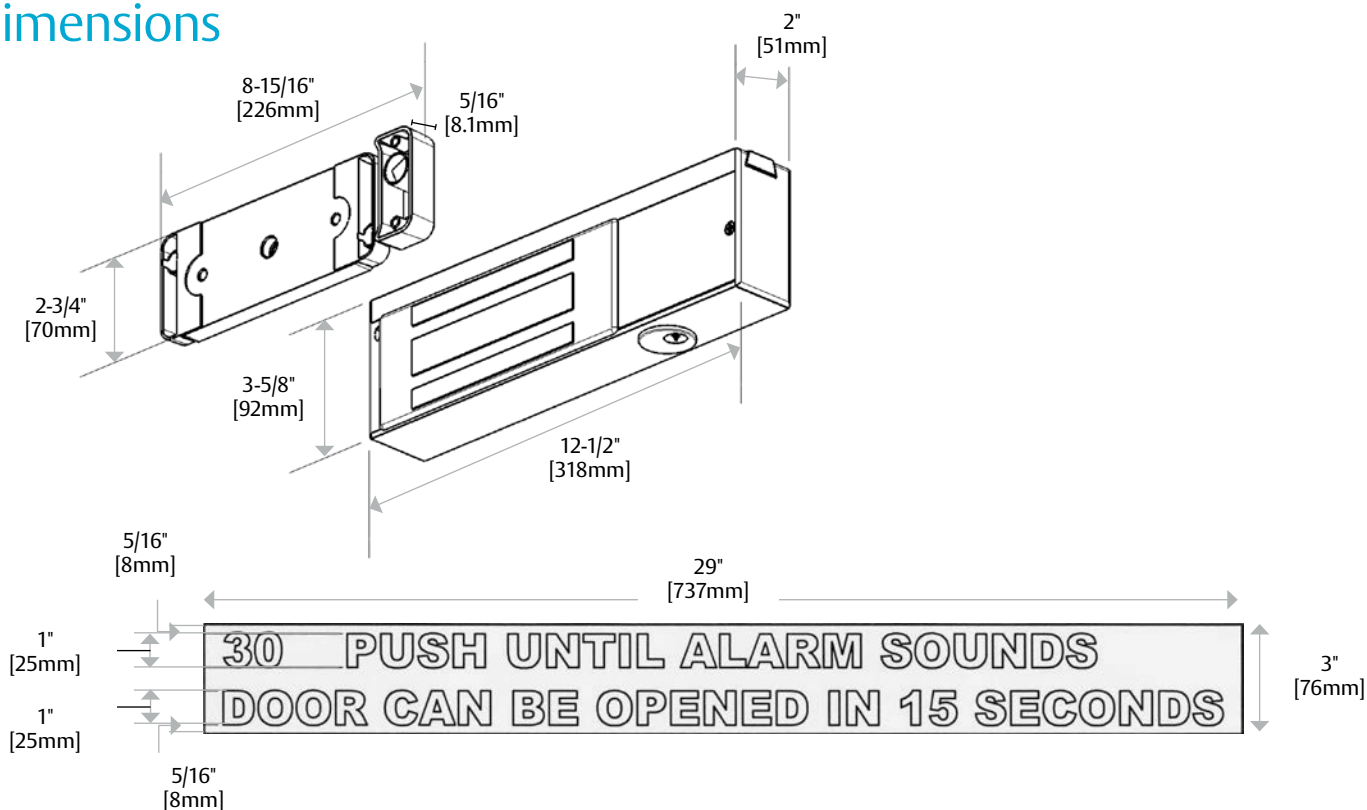
Optional Features

- iEXDa allows alarm initiation via an external panic device
- iMXDa-CA is CAL Fire BML listed
- iMXDaCH is Chicago compliant
- iMXDaH for HUGs® Infant Protection System



Securitron iMXDa Delayed Egress Magnalock

Dimensions



Specifications

Certifications

- CAN/ULC-S533 Listed
- ANSI/UL 294 Listed
- NFPA 101
- CSFM—California State Fire Marshal Approved (iMXDA-CA only)

Electrical

- 370 mA max at 12 VDC
- 270 mA max at 24 VDC

Holding Force

- 1,200 lbs [544kg]

Operating Temperature

- 32° to 104°F [0° to 40°C]
- Indoor use only

Shipping Weight

- 15 lbs [6.80kg]

How to Order

Model Series	Timing Options
iMXDa	CH
iMXDa Integrated Initiation	(blank) Adjustable Timing
iEXDa External Initiation	-CA15S California Required 15s Timings
	-CA30S California Required 30s Timings
	CH Chicago Required Timings
	H HUGS Infant Protection Timings

Modular Exit Delay System

Build an exit delay system customized to your specific application

When the demands of your door environment require specific components, ASSA ABLOY's UL/ULC Exit Delay System (EXD) delivers a system that meets your specific needs.

UBC, SBC and National Building Code of Canada. This modular approach suits the specific locking requirements of all doors, as well as the desired level of physical security and ease of maintenance.

Modular delayed egress that complies with NFPA 101 Life Safety Code and conforms to BOCA,

See individual product pages for complete specifications.

With modular upgrades, maintenance and replacement, Securitron Component EXD evolves with your changing access control needs

1 Select a locking device (one per door)

Choose from

- Magnalock® Series: M32, M38, M62, M68, M82, M380 or M680E



2 Choose an initiating device (one per door)

Determine type of egress —

Egress Control Only or Egress Control with Electronic Access Capability

Determine door type —

Fire Rated or Non-Fire Rated

Choose from:

- Securitron®: SB-MXD, LML, LMS, DSB, TSB, TSH, EMB
- Sargent®: 80 Series w/55 prefix
- Adams Rite®: 3700, 3600, 3300 & 3100, 8099m



3 Choose an exit delay timer (one per opening)

Choose from

- XDT, BA-XDT, FA-XDT More than one door requires purchase of additional EXD-1L Door Label



4 Choose a system reset (one per opening)

Choose from

- Manual Reset: MK Series w/momentary switch
- Automatic Reset: DPS-W and DPS-M

NOTE: Manual Reset (NBC of Canada, NFPA 101 & UBC) or Automatic Reset (UBC & BOCA). Please consult local jurisdiction for specific requirements.



Securitron® XDT Exit Delay Timer

Sophisticated control in an easy-to-use, modular exit delay timer



Configurable exit delay is ideal for fail safe environments that have varying needs throughout the day.

Function is compatible with entry control, door/lock monitoring and authorized immediate exit. Widely used in healthcare environments to alert for patient exit and in retail environments to prevent theft.

How to Order

Mounting Method	Model Series	Voltage
BA – (blank) Circuit Board only	XDT Exit Delay Timer	– 12 12 12VDC
BA Boxed		24 24VDC
FA Flush Mount		



Features

Standard Features

- Meets all code requirements including the BOCA 30 second relock function
- Nuisance delay and release times are digitally set using precise DIP switches
- Three 5A SPDT relays for interface capabilities
- External switches such as time clocks can put the XDT into different functions when delayed exit is not desired at all times
- MagnaCare® lifetime replacement, no-fault, no questions asked warranty

Optional Features

- **XDT** is board only
- **BA-XDT** in surface mount enclosure with piezo sounder and door label
- **FA-XDT** is a flush mount plate enclosure with piezo sounder and door label



Specifications

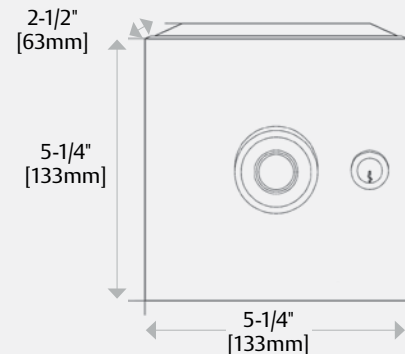
Certifications

- ANSI/UL 294 Listed
- CSFM — California State Fire Marshal Approved

Electrical

- 100 mA at 12 VDC
- 50 mA at 24 VDC
- 5A SPDT relays

Dimensions



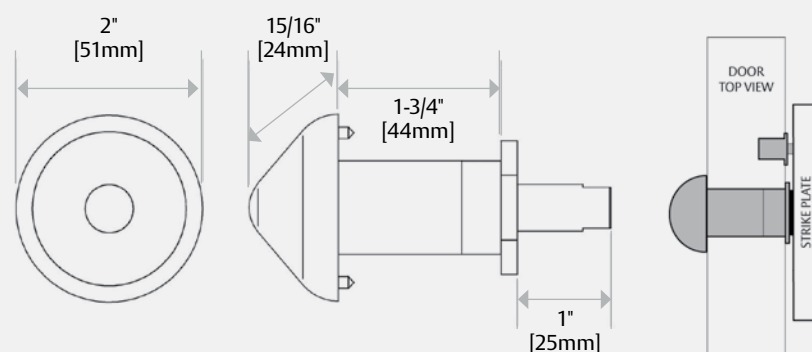
Securitron[®] SB-MXD Exit Delay Sex Bolt



The SB-MXD detects door movement and initiates a signal for delayed egress when used in conjunction with ASSA ABLOY's Securitron XDT logic timers.

Door movement tolerance ranges from 1/2" – 3/4". Options are available for standard, thin and thick doors. Backed by our MagnaCare[®] lifetime replacement, no-fault, no questions asked warranty.

Dimensions



Part Number	Description
SB-MXD	SB-MXD Sex Bolt Kit—Door Movement

Request additional part # 390-15690 for doors > 2" [50.8mm] thick.

Request additional part # 390-15650 for doors < 1.75" [44.45mm] thick.



Building Codes Affecting Delayed Egress in the United States and Canada

The following general information on code requirements should not be considered definitive. The information provided represents ASSA ABLOY Electronic Security Hardware's best understanding of individual codes at the time of this catalog's printing.

Codes, however, may change and are also subject to local interpretations that may differ from those provided here. Please consider this

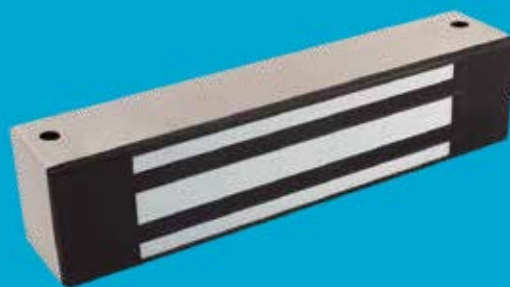
information as a preliminary point of reference which should be confirmed or altered in accordance with the direction given by any local authority having jurisdiction (AHJ).

The following chart describes four individual building code requirements in five areas of function: Nuisance Delay, Release Delay, Post Alarm Relocking, Power Loss and Special Application Requirements.

Code	Nuisance Delay	Release Delay	Post-delay Relocking	Upon Fire Alarm or Loss of Power to Lock	Signage	Special Application Requirements
NFPA-101-2009 National Fire Protection Association	0-3 Seconds	15 Seconds or 30 Seconds with AHJ approval	Manual Means Only	Doors Unlock and Immediate Egress is Possible. Emergency Lighting Required.	PUSH UNTIL ALARM SOUNDS. Door Can be Opened in 15 (30) Seconds.	Additional Delayed Egress Systems Allowed in an Exit Path.
NBC 2010 National Building Code of Canada 2010		15 Seconds	Manual Means Only	Doors Unlock and Immediate Egress is Possible.	PUSH UNTIL ALARM SOUNDS. Door Can be Opened in 15 (30) Seconds. Mount within 12" of Releasing Device.	
IBC 2009 & 2012 International Building Codes	1 Second	15 Seconds or 30 Seconds with AHJ approval	Manual Means Only	Doors Unlock and Immediate Egress is Possible. Emergency Lighting Required.	PUSH UNTIL ALARM SOUNDS. Door Can be Opened in 15 (30) Seconds. Mount within 12" of Releasing Device.	
IBC 2015 International Building Code	0-3 Seconds	15 Seconds or 30 Seconds with AHJ approval	Manual Means Only	Door Releases Upon Loss of Power.	PUSH UNTIL ALARM SOUNDS. Door Can be Opened in 15 (30) Seconds. Mount within 12" of Releasing Device.	DOOR Can Remain Locked From Outside. I-2 and I-3 Allow Two 15 Second Delays in One Exit Path. Exceptions on Signage in I-1.

Securitron[®] M32 Magnalock[®]

600 lbs holding force
direct mounted Magnalock



The ultimate in Magnalock reliability for indoor/outdoor traffic control.

The Securitron M32 electromagnetic lock is ideal for traffic control in high-use areas within secured or monitored perimeters. With unsurpassed durability, the Securitron M32 will last long after most buildings wear out. Applications include storage areas, rooms, and hallways where reliability, high durability and low-maintenance are required.

NOTE: Securitron M32-SS in cabinet lock section. See page #141.

Features

Standard Features

- PoE friendly
- Sustainability documentation
- Efficient, low power usage
- Automatic dual-voltage—no field adjustment required
- Fully sealed for weatherproof operations
- Size optimized for use with door closers
- Rust resistant—all ferrous metal surfaces plated for durability
- Instant release circuit—no residual magnetism
- Noise suppression with built-in MOV
- 10 ft [3.05m] of jacketed, stranded conductor cable
- Ultra-secure collapsing blind nuts mount to door frame for strength and reliability
- MagnaCare[®] lifetime replacement, no-fault, no questions asked warranty

Optional Features

- **F** Face drilled
- **B** Patented BondSTAT magnetic bond sensor
- **D** Integrated Door Position Switch (DPS)



Grade 3



MagnaCare
Warranty



Auto Sensing
Dual Voltage
12/24



PoE
Friendly



Fire Rated



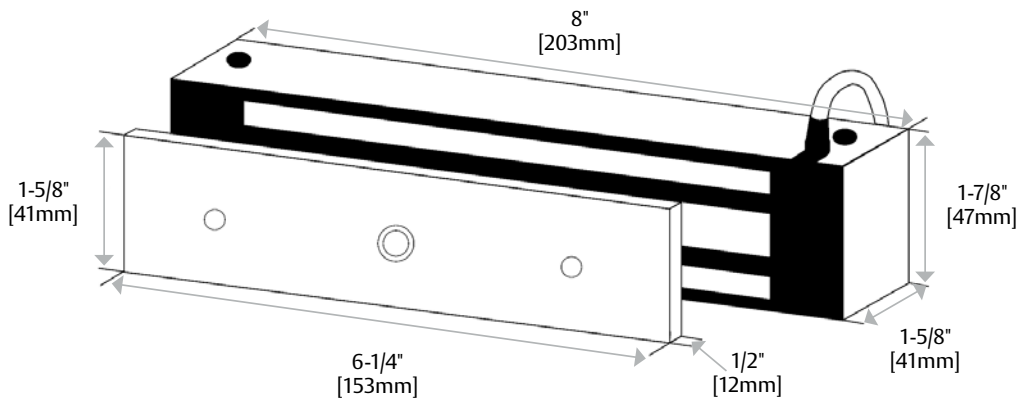
Outdoor
Rated



Preload

Securitron M32 Magnalock

Dimensions



Specifications

Certifications

- UL 10C Listed
- CAN4-S104, CAN/ULC-S533 Listed
- ANSI/UL 294 Listed
- CSA-C22.2 No.205 Listed
- ANSI/BHMA A156.23, Grade 3; E08501-500 Compliant
- CSFM—California State Fire Marshal Approved
- CE:EN 50081-1(92), EN 61000-6-2(99) Approved
- Environmental Product Declaration
- Health Product Declaration

Electrical

- 300 mA at 12 VDC
- 150 mA at 24 VDC

Holding Force

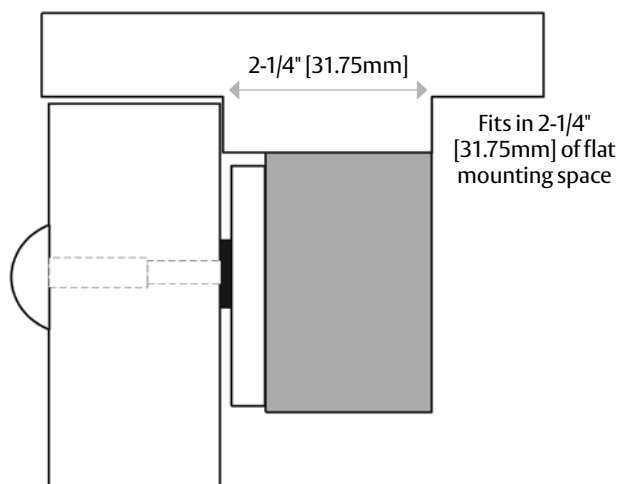
- 600 lbs [272kg]

Operating Temperature

- -40° to 140°F [-40° to 60°C]
- Indoor or Outdoor use

Shipping Weight

- 6 lbs [2.72kg]

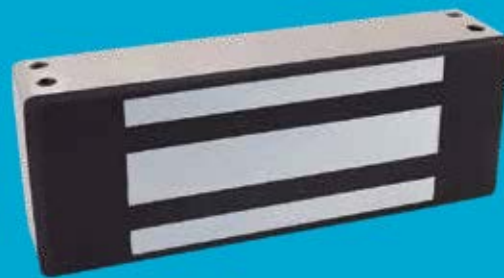


How to Order

Model Series	Mounting Method	Monitoring Options	Strike Plate Options
M32	F	BD	– SS
M32 600 lbs	(blank) Direct Mount F Face Drilled	(blank) No Monitoring B BondSTAT Monitor D Door Position Switch BD BondSTAT and DPS	(blank) Standard Strike SS Split Strike SASM Shock Absorbing Strike Mount

Securitron[®] M62 Magnalock[®]

1,200 lbs holding force
direct mounted Magnalock



The ultimate in Magnalock versatility for indoor/outdoor higher security.

The Securitron M62 is a strong, easy-to-maintain solution for interior, perimeter and exterior access control. With unsurpassed durability, the Securitron M62 will last long after most buildings wear out. Flexible mounting options support applications for hollow metal, concrete filled metal, wood, or glass with aluminum frames, and Herculite doors. Options include single and double door configurations, or specialty applications such as gates and fences.

NOTE: Securitron M62FG-SASM in Specialty Lock section. See page #153.

Features

Standard Features

- PoE friendly
- Sustainability documentation
- Efficient, low power usage
- Automatic dual-voltage —no field adjustment required
- Fully sealed for weatherproof operations
- Size optimized for use with door closers
- Rust resistant—all ferrous metal surfaces plated for durability
- Instant release circuit —no residual magnetism
- Noise suppression with built-in MOV
- 10 ft [3.05m] of jacketed, stranded conductor cable
- Ultra-secure collapsing blind nuts mount to door frame for strength and reliability
- MagnaCare[®] lifetime replacement, no-fault, no questions asked warranty

Optional Features

- **F** Face drilled
- **G** Gate conduit
- **B** Patented BondSTAT magnetic bond sensor
- **D** Integrated Door Position Switch (DPS)
- **SS** Split Strike
- **SASM** Shock Absorbing Strike Mount for Gates
- **OS** Offset Strike



Grade 2



MagnaCare
Warranty



Auto Sensing
Dual Voltage
12/24



PoE
Friendly



Fire Rated



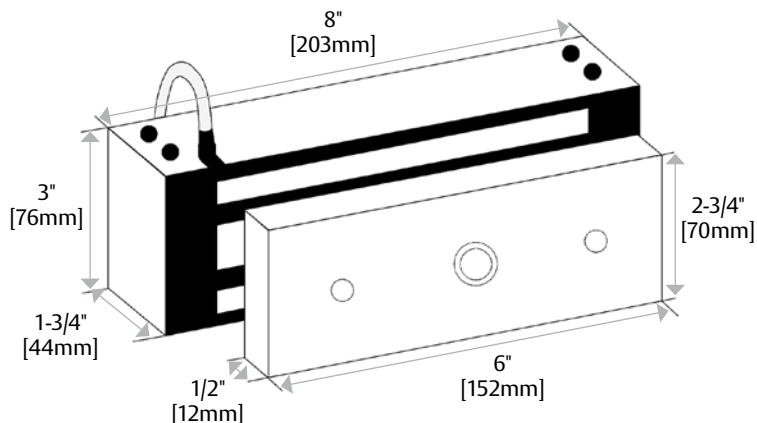
Outdoor
Rated



Preload

Securitron M62 Magnalock

Dimensions



Specifications

Certifications

- UL 10C Listed
- CAN4-S104, CAN/ULC-S533 Listed
- ANSI/UL 294 Listed
- CSA-C22.2 No.205 Listed
- ANSI/BHMA A156.23, Grade 2; E08501-1000 Compliant
- CSFM—California State Fire Marshal Approved
- CE:EN 50081-1(92), EN 61000-6-2(99) Approved
- Environmental Product Declaration
- Health Product Declaration

Electrical

- 250 mA at 12 VDC
- 150 mA at 24 VDC

Holding Force

- 1,200 lbs [544kg]

Operating Temperature

- -40° to 140°F [-40° to 60°C]
- Indoor or Outdoor use

Shipping Weight

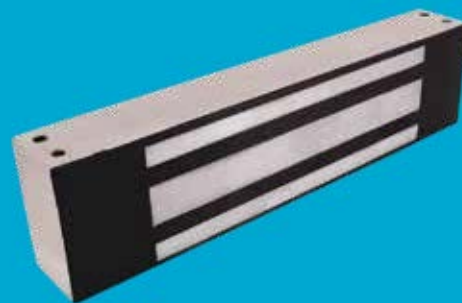
- 11 lbs [5kg]

How to Order

Model Series	Mounting Method	Monitoring Options	Strike Plate Options
M62	FG	BD	– SASM
M62 1,200 lbs	(blank) Direct Mount	(blank) No Monitoring	(blank) Standard Strike
	F Face Drilled	B BondSTAT Monitor	OS Offset Strike
	G Gate Conduit	D Door Position Switch	SS Split Strike
		BD BondSTAT and DPS	SASM Shock Absorbing Strike Mount

Securitron[®] M82 Magnalock[®]

1,800 lbs holding force
direct mounted Magnalock



Industrial strength hold for challenging indoor/outdoor environments.

The Securitron M82 electromagnetic lock offers unsurpassed magnetic holding strength, durability and ease of maintenance for interior, perimeter and exterior access control applications in high-risk environments. With unsurpassed durability, the Securitron M82 will last long after most buildings wear out. Flexible mounting options are available for higher security locations and other environments where extreme forces may be encountered.

Features

Standard Features

- Efficient, low power usage
- Automatic dual-voltage —no field adjustment required
- Fully sealed for weatherproof operations
- Rust resistant—all ferrous metal surfaces plated for durability
- Instant release circuit —no residual magnetism
- Noise suppression with built-in MOV
- 10 ft [3.05m] of jacketed, stranded conductor cable
- Ultra-secure collapsing blind nuts mount to door frame for strength and reliability
- MagnaCare[®] lifetime replacement, no-fault, no questions asked warranty

Optional Features

- **F** Face drilled
- **G** Gate conduit
- **B** Patented BondSTAT magnetic bond sensor
- **D** Integrated Door Position Switch (DPS)
- **SS** Split Strike
- **OS** Offset Strike



Grade 1



MagnaCare
Warranty



Auto Sensing
Dual Voltage
12/24



Fire Rated



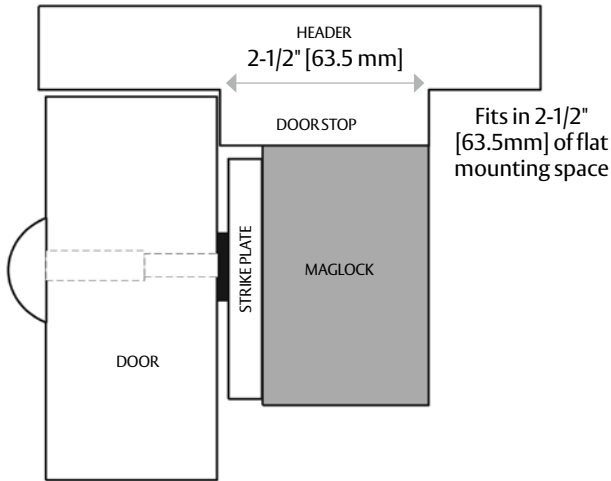
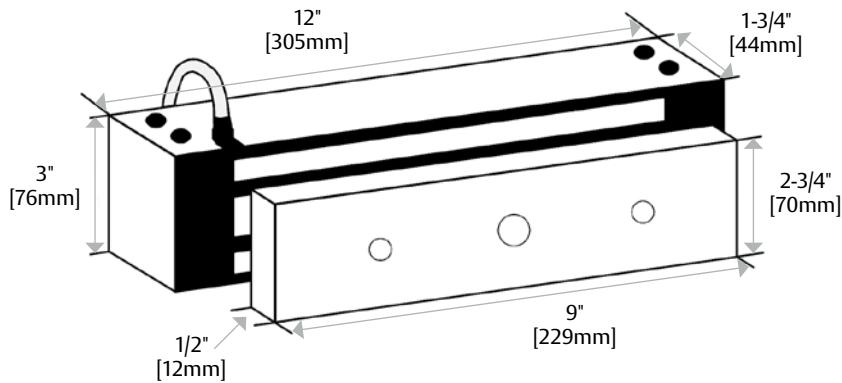
Outdoor
Rated



Preload

Securitron M82 Magnalock

Dimensions



Specifications

Certifications

- UL 10C Listed
- CAN4-S104, CAN/ULC-S533 Listed
- ANSI/UL 294 Listed
- ANSI/BHMA A156.23, Grade 1; E08501-1500 Compliant
- CSFM—California State Fire Marshal Approved
- CE:EN 50081-1(92), EN 61000-6-2(99) Approved

Electrical

- 350 mA at 12 VDC
- 200 mA at 24 VDC

Holding Force

- 1,800 lbs [816kg]

Operating Temperature

- -40° to 140°F [-40° to 60°C]
- Indoor or Outdoor use

Shipping Weight

- 16 lbs [7.26kg]

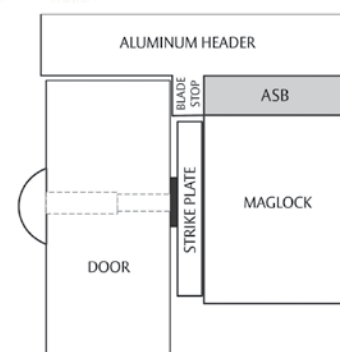
How to Order

Model Series	Mounting Method	Monitoring Options	Strike Plate Options
M82	FG	BD	– OS
M82 1,800 lbs	(blank) Direct Mount	(blank) No Monitoring	(blank) Standard Strike
	F Face Drilled	B BondSTAT Monitor	OS Offset Strike
	G Gate Conduit	D Door Position Switch	SS Split Strike
		BD BondSTAT and DPS	SASM Shock Absorbing Strike Mount

Securitron[®] M32, M62, M82 MagnaLock[®] Accessories

ASB Aluminum Spacer Bracket

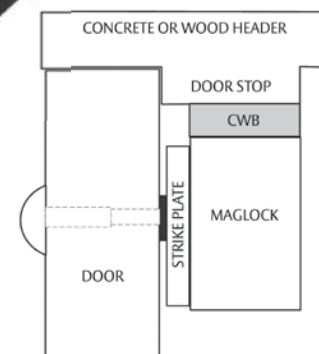
- Use when a blade stop requires the Magnalock to be lowered
- Comes pre-drilled for the mounting bolts and wire
- Provides a blind nut for surface installation of strike
- Available in clear aluminum or black anodized
- MagnaCare[®] lifetime replacement, no-fault, no questions asked warranty



Part Number	Description	Finish
ASB-32BK	Aluminum Frame Spacer Bracket – M32	Black Anodized
ASB-32CL	Aluminum Frame Spacer Bracket – M32	Clear Anodized
ASB-62BK	Aluminum Frame Spacer Bracket – M62	Black Anodized
ASB-62CL	Aluminum Frame Spacer Bracket – M62	Clear Anodized
ASB-82BK2	Aluminum Frame Spacer Bracket – M82	Black Anodized
ASB-82CL	Aluminum Frame Spacer Bracket – M82	Clear Anodized
ASCWB-DM62CL	Aluminum 1-1/2" [38.1mm] Spacer – Concrete/Wood Bracket, DM62	Clear

CWB Concrete Wood Bracket

- Used on wood or concrete filled metal frames
- Provides a concealed wire chamber
- Available in clear aluminum or black anodized
- MagnaCare[®] lifetime replacement, no-fault, no questions asked warranty



Part Number	Description	Finish
CWB-32BK	Concrete/Wood Bracket – M32	Black Anodized
CWB-32CL	Concrete/Wood Bracket – M32	Clear Anodized
CWB-62BK	Concrete/Wood Bracket – M62	Black Anodized
CWB-62CL	Concrete/Wood Bracket – M62	Clear Anodized
CWB-82BK	Concrete/Wood Bracket – M82	Black Anodized
CWB-82CL	Concrete/Wood Bracket – M82	Clear Anodized

LIFE

MagnaCare
Warranty

Securitron M32/62/82 Magalock Accessories

AOS Offset Strike Plate

- Alters the position of the mounting hole by 1/4" [6mm]. This is often required to clear the glass on aluminum frame store front doors.
- Includes Offset Strike Plate only.
- MagnaCare® lifetime replacement, no-fault, no questions asked warranty.



Part Number	Description
AOS-62	Strike Plate – M62, Offset
AOS-62D	Strike Plate – M62D, Offset
AOS-82	Strike Plate – M82, Offset

ASS Split Strike/Replacement Strike Plate

- Allows a single M32, M62 or M82 Magalock to secure a double door at traffic control holding force level.
- Includes Split Strike Plates only.
- MagnaCare® lifetime replacement, no-fault, no questions asked warranty.



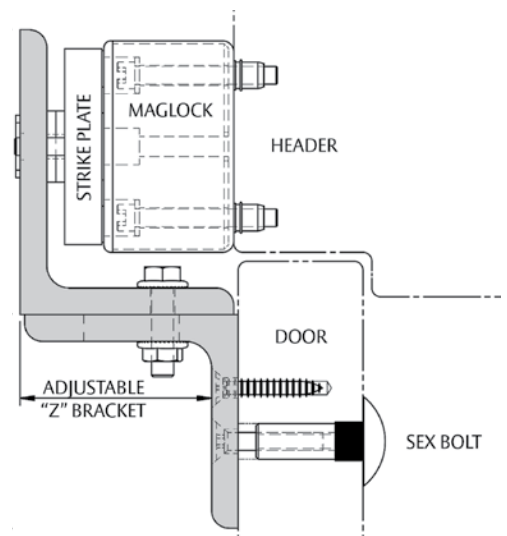
Part Number	Description
ASS-32	Strike Plate M32 – Split Set w/ Fasteners & Sex Bolt
ASS-62	Strike Plate M62 – Split Set w/ Fasteners & Sex Bolt
ASS-82	Strike Plate M82 – Split Set w/ Fasteners & Sex Bolt

ZA Z Bracket Kits – Adjustable

- Use on in-swing doors with Magalock "F" options (8-1/2" [215.9mm] overall length).
- Provides 1-1/4" [31.75mm] of lateral movement to accommodate most openings and allows for precision adjustments (2-1/4" to 3-1/2" [57.15mm to 88.9mm] from door/header).
- Includes an oversized dress cover.
- MagnaCare® lifetime replacement, no-fault, no questions asked warranty.



Part Number	Description	Finish
ZA-32/62BK	Adjustable Z-Bracket – M32/62	Black Anodized
ZA-32/62CL	Adjustable Z-Bracket – M32/62	Clear Anodized
ZA-32/62SS	Adjustable Z-Bracket – M32/62	Satin Stainless
ZA-82BK	Adjustable Z-Bracket – M82	Black Anodized
ZA-82CL	Adjustable Z-Bracket – M82	Clear Anodized
ZA-82SS	Adjustable Z-Bracket – M82	Satin Stainless

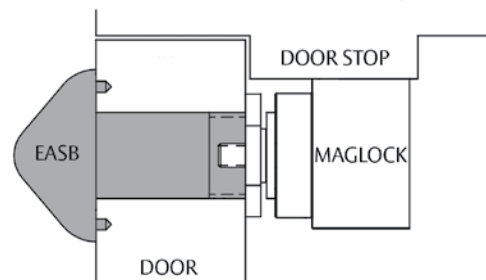


MagnaCare
Warranty

EASB Energy Absorbing Sex Bolt

The Energy Absorbing Sex Bolt provides additional protection and shock absorption to augment holding force when a door experiences dynamic forces such as kicks or repeated blows. Used in mental health care and detention ancillary or administrative doors, and perimeter doors.

- For high-security applications on inflexible doors.
- Replaces the standard Sex Bolt.
- Contains a powerful internal spring that absorbs and dissipates the force of a blow.
- MagnaCare® lifetime replacement, no-fault, no questions asked warranty.



Part Number	Description
EASB-250	Energy Absorbing Bolt – 1/4" [6.35mm] Spacer Kit
EASB-32	Energy Absorbing Sex Bolt – Model 32
EASB-62	Energy Absorbing Sex Bolt – Model 62
EASB-82	Energy Absorbing Sex Bolt – Model 82

TDK-1 Accessory for Thick Doors

- Provides replacement screws so armature plates for the M32, M62, M82, M38 and M68 can be used on doors thicker than 1-3/4" [44.45mm], and up to 3" [76.2mm].
- MagnaCare® lifetime replacement, no-fault, no questions asked warranty.

Part Number	Description
TDK-1	Thick Door Kit



SB-1 Sex Bolt Replacement

- Replaces armature plate sex bolt for M32, M38, M62, M68 and M82B Magnalocks.
- Available in clear, polished brass or oil rubbed bronze finish.
- MagnaCare® lifetime replacement, no-fault, no questions asked warranty.



Part Number	Description	Finish
SB-1	Sex Bolt – Replacement	Clear
SB-1-03	Sex Bolt – Replacement	Polished Brass
SB-1-10B	Sex Bolt – Replacement	Oil-Rubbed Bronze



MagnaCare
Warranty

Securitron M32/62/82 Magnalock Accessories

DC Dress Covers

- Use with M32, M62, and M82.
- Install using foam adhesive tape.
- Available in clear, black, polished stainless and polished brass finish.
- MagnaCare® lifetime replacement, no-fault, no questions asked warranty.



Part Number	Description	Color
DC-32BK	DC - M32	Black Anodized
DC-32BP	DC - M32	Brass Polished
DC-32CL	DC - M32	Clear Anodized
DC-32SP	DC - M32	Stainless Polished
DC-62BK	DC - M62	Black Anodized
DC-62BP	DC - M62	Brass Polished
DC-62CL	DC - M62	Clear Anodized
DC-62SP	DC - M62	Stainless Polished
DC-82BK	DC - M82	Black Anodized
DC-82BP	DC - M82	Brass Polished
DC-82CL	DC - M82	Clear Anodized
DC-82SP	DC - M82	Stainless Polished

DDC Double Dress Covers

- Use with M32.
- Available in clear, black, polished stainless and polished brass finish.
- Will cover a pair of Magnalocks on a double door (if they are separated by no more than 2").
- Not for use with the DM62 Magnalock.
- MagnaCare® lifetime replacement, no-fault, no questions asked warranty.



Part Number	Description	Color
DC-32BK	DC - M32	Black Anodized
DC-32BP	DC - M32	Brass Polished
DC-32CL	DC - M32	Clear Anodized
DC-32SP	DC - M32	Stainless Polished



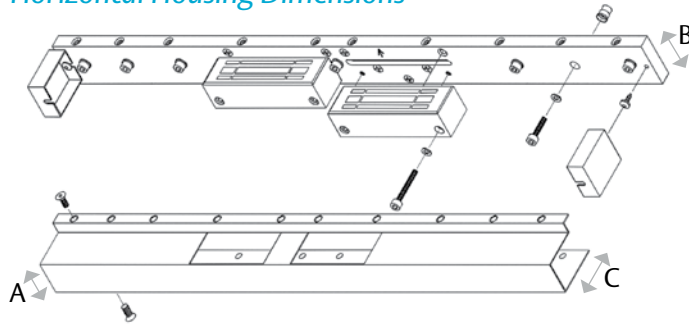
MagnaCare
Warranty

Securitron M32/62/82 Magnalock Accessories

HHD / HHSL / HHSR / HVD Full Length Housings

- Vertical or horizontal configurations
- Fit one or two locks (not included)
- (SLR) Single Left Hand Reverse
- (SRR) Single Right Hand Reverse
- MagnaCare® lifetime replacement, no-fault, no questions asked warranty

HHD Horizontal Housing Dimensions



Model	A	B	C	Max Length*
HHD-32	1-3/4" [44.45mm]	2-3/32" [53.34mm]	2-11/32" [59.9mm]	96" [2438.4mm]
HHD-62	2-3/32" [53.34mm]	2-39/64" [66mm]	3-1/2" [88.9mm]	96" [2438.4mm]
HHD-82	2-3/32" [53.34mm]	2-39/64" [66mm]	3-1/2" [88.9mm]	96" [2438.4mm]
HHSL-32	1-3/4" [44.45mm]	2-3/32" [53.34mm]	2-23/64" [59.7mm]	48" [1219.2mm]
HHSL-62	2-3/32" [53.34mm]	2-39/64" [66mm]	3-1/2" [88.9mm]	48" [1219.2mm]
HHSR-32	1-3/4" [44.45mm]	2-3/32" [53.34mm]	2-23/64" [59.7mm]	48" [1219.2mm]
HHSR-62	2-3/32" [53.34mm]	2-39/64" [66mm]	3-1/2" [88.9mm]	48" [1219.2mm]
HVD-32	1-3/4" [44.45mm]	2-3/32" [53.34mm]	2-23/64" [59.7mm]	96" [2438.4mm]
HVD-62	2-3/32" [53.34mm]	2-39/64" [66mm]	3-1/2" [88.9mm]	96" [2438.4mm]
HVD-82	2-3/32" [53.34mm]	2-39/64" [66mm]	3-1/2" [88.9mm]	96" [2438.4mm]

*Full length housings are individually manufactured to custom specifications up to the maximum length shown.



Part Number	Description
HHD-32	Lock Housing for M32 – Dbl. Horizontal
HHD-62	Lock Housing for M62 – Dbl. Horizontal
HHD-82	Lock Housing for M82 – Dbl. Horizontal
HHSL-32	Lock Housing for M32 – SLR Horizontal
HHSL-62	Lock Housing for M62 – SLR Horizontal
HHSR-32	Lock Housing for M32 – SRR Horizontal
HHSR-62	Lock Housing for M62 – SRR Horizontal
HVD-32	Lock Housing for M32 – Dbl. Vertical
HVD-62	Lock Housing for M62 – Dbl. Vertical
HVD-82	Lock Housing for M82 – Dbl. Vertical

How to Order

Specify quantity and the following information. Order related products separately.

Model Series	Mounting Method	Specify Length
HHD	-32	(83")
HHD	32	HHD Max Length 96"
HHSL	62	HHD Max Length 96"
HHSR	82	HHSR Max Length 48"
HVD		HVD Max Length 96"



MagnaCare
Warranty

Securitron® M38 Series Magnalock®

600 lbs holding force,
bracket mounted Magnalock



Easily installed,
bracket mounted
Magnalock for interior
applications.

The Securitron M38 electromagnetic lock is ideal for traffic control in high-use areas within secured or monitored perimeters. Offerings include solutions for interior rooms, closets and hallways where reliability, high durability and low maintenance are required. Bracket mounting and wiring chamber provide quick, accurate installation.

Features

Standard Features

- Automatic dual-voltage —no field adjustment required
- Bracket mounting provides the easiest install for out-swing doors
- Rust resistant—all ferrous metal surfaces plated for durability
- Instant release circuit —no residual magnetism
- Internal wire access chamber
- Noise suppression with included MOV
- Ultra-secure collapsing blind nuts mount to door frame for strength and reliability
- MagnaCare® lifetime replacement, no-fault, no questions asked warranty

Optional Features

- **D** Integrated Door Position Switch (DPS)
- **L** LED indicator
- **S** SenSTAT
- **T** Anti-tamper switch



Grade 3



MagnaCare
Warranty



Auto Sensing
Dual Voltage
12/24



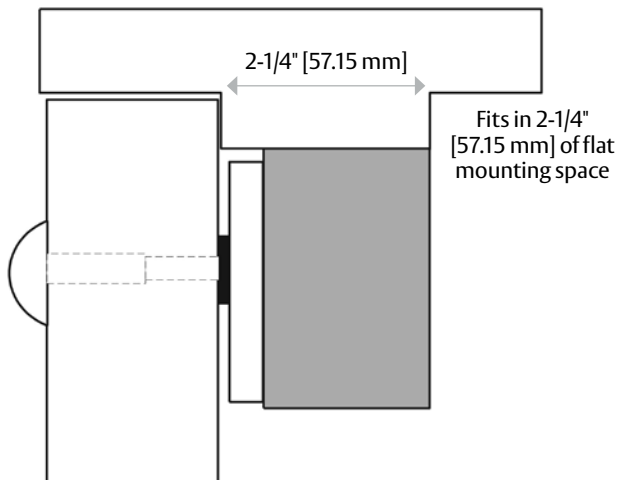
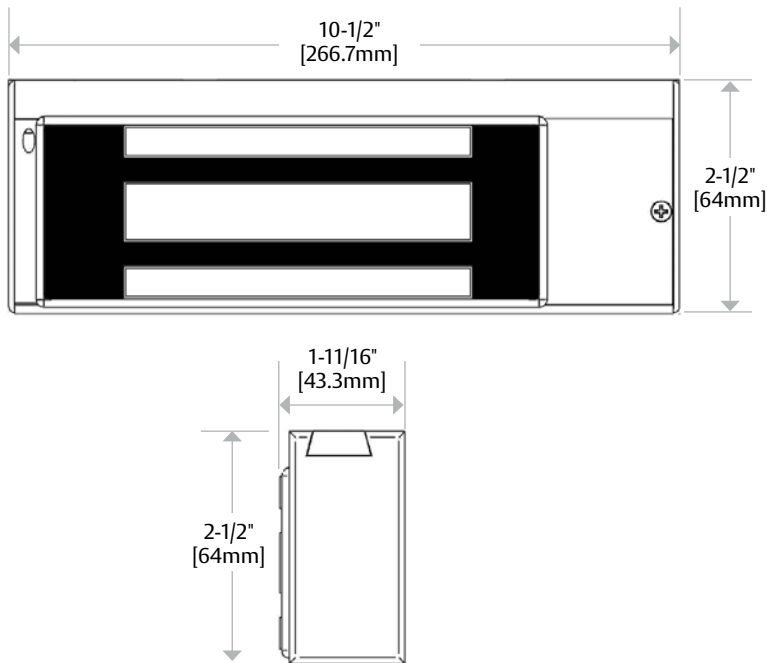
Fire Rated



Preload

Securitron M38 Series Magnalock

Dimensions



Specifications

Certifications

- UL 10C Listed
- CAN4-S104, CAN/ULC-S533 Listed
- ANSI/UL 294 Listed
- CSA-C22.2 No.205 Listed
- ANSI/BHMA A156.23, Grade 3; E18501-500 Compliant
- CSFM—California State Fire Marshal Approved
- CE:EN 50081-1(92), EN 61000-6-2(99) Approved

Electrical

- 350 mA at 12 VDC
- 170 mA at 24 VDC

Holding Force

- 600 lbs [272kg]

Operating Temperature

- 32° to 110°F [0° to 43°C]
- Indoor use only

Shipping Weight

- 8 lbs [3.63kg]

How to Order

Model Series	Monitoring Options
M38	DLST
M38 600lbs Magnalock	(blank) No Monitoring
	D Door Position Switch
	L LED Indicator
	S SenSTAT Monitor
	T Tamper Monitor

Securitron® M68 Series Magnalock®

1,200 lbs holding force,
bracket mounted Magnalock



Easily installed,
bracket mounted
Magnalock for higher
security interior
applications.

Ideal for traffic control in high-use areas where higher security is needed, the Securitron M68 electromagnetic lock provides reliability, durability and strength with low maintenance and efficient power consumption. Bracket mounting and wiring chamber provide ease of installation.

Features

Standard Features

- PoE friendly
- Automatic dual-voltage —no field adjustment required
- Bracket mounting provides the easiest install for out-swing doors
- Rust resistant—all ferrous metal surfaces plated for durability
- Instant release circuit —no residual magnetism
- Internal wire access chamber
- Noise suppression with included MOV
- Ultra-secure collapsing blind nuts mount to door frame for strength and reliability
- Strong hold and low maintenance
- MagnaCare® lifetime replacement, no-fault, no questions asked warranty

Optional Features

- **D** Integrated Door Position Switch (DPS)
- **L** LED indicator
- **S** SenSTAT
- **T** Anti-tamper switch



Grade 2



MagnaCare
Warranty



Auto Sensing
Dual Voltage
12/24



PoE
Friendly



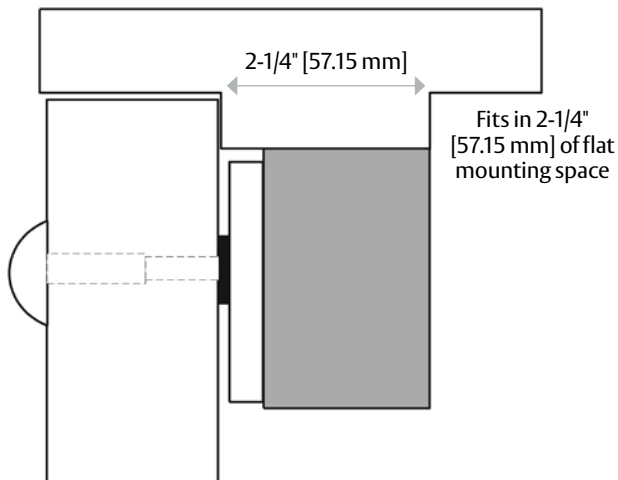
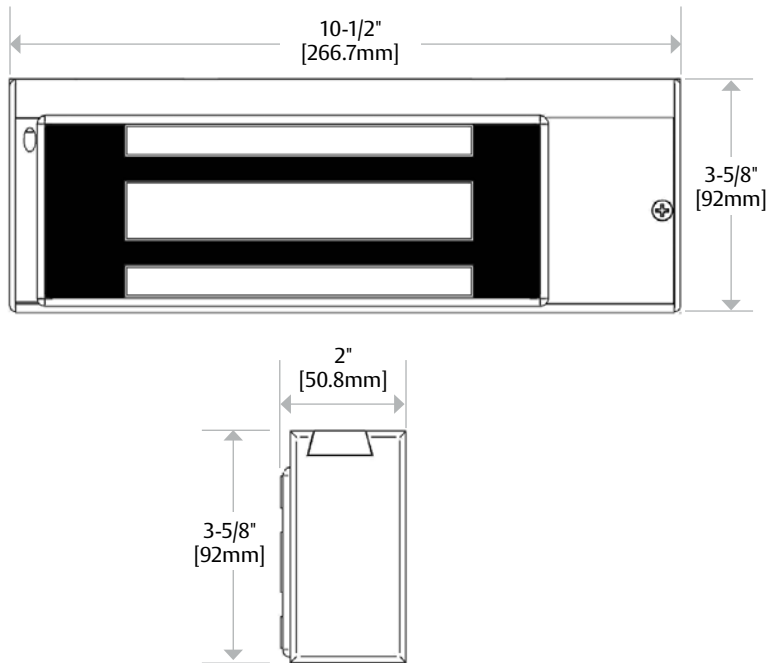
Fire Rated



Preload

Securitron M68 Series Magnalock

Dimensions



Specifications

Certifications

- UL 10C Listed
- CAN4-S104, CAN/ULC-S533 Listed
- ANSI/UL 294 Listed
- CSA-C22.2 No.205 Listed
- ANSI/BHMA A156.23, Grade 2; E18501-1000 Compliant
- CSFM—California State Fire Marshal Approved
- CE:EN 50081-1(92), EN 61000-6-2(99) Approved

Electrical

- 250 mA at 12 VDC
- 125 mA at 24 VDC

Holding Force

- 1,200 lbs [544kg]

Operating Temperature

- 32° to 110°F [0° to 43°C]
- Indoor use only

Shipping Weight

- 13 lbs [5.44kg]

How to Order

Model Series	Monitoring Options
M68	DLST
M68 1,200 lbs Magnalock	(blank) No Monitoring
	D Door Position Switch
	L LED Indicator
	S SenSTAT Monitor
	T Tamper Monitor

Securitron® M38, M68 Bracket Mounted Magnalock® Accessories

DC Dress Cover

- Available for the M38 and M68
- Install using foam adhesive tape
- MagnaCare® lifetime replacement, no-fault, no questions asked warranty

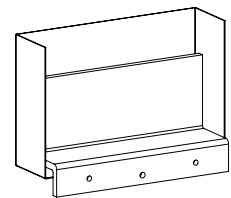


Part Number	Description
DC-38SP	<i>DC-M38, Stainless Polished</i>
DC-68SP	<i>DC-M68, Stainless Polished</i>

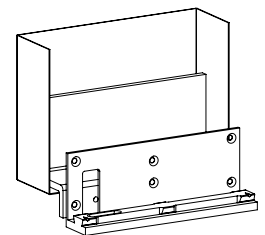
TJ Top Jamb-In-Swing Door Kit

- Available for the M38 and M68
- Used to mount the lock on the secure side of a door that swings into a secured area
- Includes a Z-Bracket and an oversized Dress Cover
- MagnaCare lifetime replacement, no-fault, no questions asked warranty

Part Number	Description
TJ-38CL	<i>In-Swing Door Kit – M38, Clear</i>
TJ-68CL	<i>In-Swing Door Kit – M68, Clear</i>



M38



M68



MagnaCare
Warranty

Universal Magnalock® Accessories

IK Installation Kit

This convenient, cost effective kit contains everything an installer needs to achieve professional, high quality Securitron Magnalock® installations. The IK offers substantial savings over purchasing the same items separately.

- MagnaCare® lifetime replacement, no-fault, no questions asked warranty

Securitron's original installation kit includes the following components:

- Tool Box
- Heavy Duty Drill Guide
- Blind Nut Placement Tool
- Sex Bolt – M32/M62/M82
- T-Handle Hex Wrench
- Hardware Packs
- M32/M62/M82
- Rubber Washers
- Flat Washers
- Insulated Crimp Connectors
- Threadlock
- 1/8" Cobalt Drill Bit
- 3/8" Cobalt Drill Bit
- 3/8" Carbide Drill Bit
- 1/2" High Speed Drill Bit
- Blind Nuts with Collapsing Tool
- Finish Caps
- Long Screw Pack



Part Number	Description
IK	Installation Kit

Glass Door Accessories

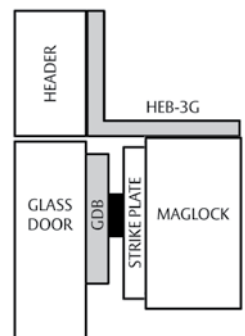
- HEB-3G allows for Magnalock installation on all-glass header when used with AKG
- GDB permits strike plate installation on a solid glass door
- AKG permanently bonds to the glass using a special industrial adhesive
- Strike Plate screws into the bracket, as glass doors cannot be drilled
- Use HEB-3G with M32, M62, 3" x 3" x 8" [76.2mm x 76.2mm x 203.2mm] with specially milled back



Part Number	Description
AKG	Adhesive Kit for GDB
GDB	Glass Door Bracket
DCP-12X3	Dress Cover Plate, 12" x 3" [304.8mm x 76.2mm] for larger strikes (M680, M380)



MagnaCare
Warranty



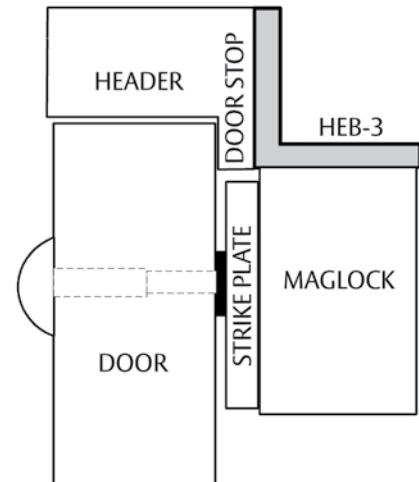
Universal Magnalock Accessories

HEB Header Extension Bracket

- 90 degree angle brackets
- Extends narrow headers to permit proper mounting of Magnalocks
- Use with Securitron M32, M62, M82, M38, M68, M370, M380, M680E
- Available in clear aluminum or black anodized
- MagnaCare® lifetime replacement, no-fault, no questions asked warranty



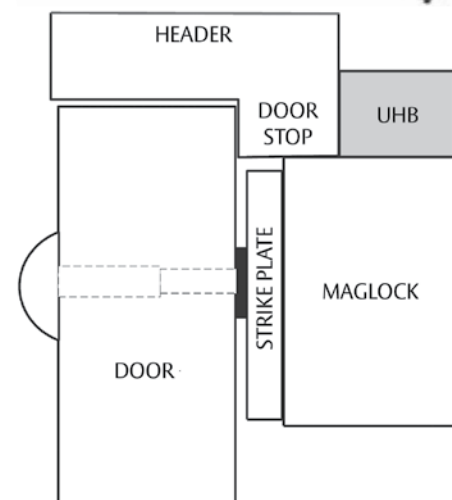
Part Number	Description	Finish
HEB-1BK-12	HEB - 1" x 1" x 12" [25.4mm x 25.4mm x 304.8mm]	Black Anodized
HEB-1BK-8	HEB - 1" x 1" x 8" [25.4mm x 25.4mm x 203.2mm]	Black Anodized
HEB-1CL-12	HEB - 1" x 1" x 12" [25.4mm x 25.4mm x 304.8mm]	Clear Anodized
HEB-1CL-8	HEB - 1" x 1" x 8" [25.4mm x 25.4mm x 203.2mm]	Clear Anodized
HEB-2BK-12	HEB - 2" x 2" x 12" [50.8mm x 50.8mm x 304.8mm]	Black Anodized
HEB-2BK-8	HEB - 2" x 2" x 8" [50.8mm x 50.8mm x 203.2mm]	Black Anodized
HEB-2CL-12	HEB - 2" x 2" x 12" [50.8mm x 50.8mm x 304.8mm]	Clear Anodized
HEB-2CL-8	HEB - 2" x 2" x 8" [50.8mm x 50.8mm x 203.2mm]	Clear Anodized
HEB-3BK-12	HEB - 3" x 3" x 12" [76.2mm x 76.2mm x 304.8mm]	Black Anodized
HEB-3BK-8	HEB - 3" x 3" x 8" [76.2mm x 76.2mm x 203.2mm]	Black Anodized
HEB-3CL-12	HEB - 3" x 3" x 12" [76.2mm x 76.2mm x 304.8mm]	Clear Anodized
HEB-3CL-8	HEB - 3" x 3" x 8" [76.2mm x 76.2mm x 203.2mm]	Clear Anodized
HEB-3G	HEB - 3" x 3" x 8" [76.2mm x 76.2mm x 203.2mm] for Glass Door	Clear Anodized



UHB Universal Header Bracket

- Used to extend the header 1" [25.4mm] or 1-1/2" [38.1mm]
- Provides a concealed wiring chamber
- Use with Securitron M32, M62, M82, M38, M68, M370, M380, M680E
- Available in clear aluminum or black anodized
- MagnaCare lifetime replacement, no-fault, no questions asked warranty

Part Number	Description	Finish
UHB-BK-12	UHB - 12" [304.8mm]	Black Anodized
UHB-BK-8	UHB - 8" [203.2mm]	Black Anodized
UHB-CL-12	UHB - 12" [304.8mm]	Clear Anodized
UHB-CL-8	UHB - 8" [203.2mm]	Clear Anodized



MagnaCare
Warranty

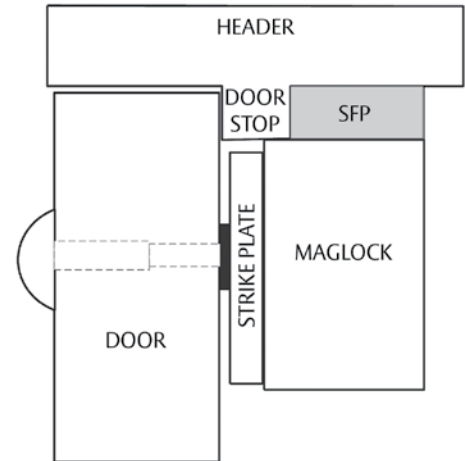
Universal Magnalock Accessories

SFP Stop Filler Plate

- Used to fill or extend a door stop
- Creates a flat mounting surface for the Magnalock®
- Available in 1/4" [6mm], 3/8" [8mm], 1/2" [13mm] and 5/8" [16mm] thickness, all 1-1/4" [32mm] wide
- Use with Securitron M32, M62, M82, M38, M68, M370, M380, M680E
- Available in clear aluminum or black anodized
- MagnaCare® lifetime replacement, no-fault, no questions asked warranty



Part Number	Description	Finish
SFP-1/2BK-12	SFP - 1/2" x 1-1/4" x 12" [12.7mm x 31.75mm x 304.8mm]	Black Anodized
SFP-1/2BK-8	SFP - 1/2" x 1-1/4" x 8" [12.7mm x 31.75mm x 203.2mm]	Black Anodized
SFP-1/2CL-12	SFP - 1/2" x 1-1/4" x 12" [12.7mm x 31.75mm x 304.8mm]	Clear Anodized
SFP-1/2CL-8	SFP - 1/2" x 1-1/4" x 8" [12.7mm x 31.75mm x 203.2mm]	Clear Anodized
SFP-1/4BK-12	SFP - 1/4" x 1-1/4" x 12" [50.8mm x 50.8mm x 304.8mm]	Black Anodized
SFP-1/4BK-8	SFP - 1/4" x 1-1/4" x 8" [6.35mm x 31.75mm x 203.2mm]	Black Anodized
SFP-1/4CL-12	SFP - 2" x 2" x 12" [50.8mm x 50.8mm x 304.8mm]	Clear Anodized
SFP-1/4CL-8	SFP - 1/4" x 1-1/4" x 8" [6.35mm x 31.75mm x 203.2mm]	Clear Anodized
SFP-3/8BK-12	SFP - 3/8" x 1-1/4" x 12" [9.5mm x 50.8mm x 304.8mm]	Black Anodized
SFP-3/8BK-8	SFP - 3/8" x 1-1/4" x 8" [9.5mm x 50.8mm x 203.2mm]	Black Anodized
SFP-3/8CL-12	SFP - 3/8" x 1-1/4" x 12" [9.5mm x 50.8mm x 304.8mm]	Clear Anodized
SFP-3/8CL-8	SFP - 3/8" x 1-1/4" x 8" [9.5mm x 50.8mm x 203.2mm]	Clear Anodized
SFP-5/8BK-12	SFP - 5/8" x 1-1/4" x 12" [15.875mm x 50.8mm x 304.8mm]	Black Anodized
SFP-5/8BK-8	SFP - 5/8" x 1-1/4" x 8" [15.875mm x 50.8mm x 203.2mm]	Black Anodized
SFP-5/8CL-12	SFP - 5/8" x 1-1/4" x 12" [15.875mm x 50.8mm x 304.8mm]	Clear Anodized
SFP-5/8CL-8	SFP - 5/8" x 1-1/4" x 8" [15.875mm x 50.8mm x 203.2mm]	Clear Anodized



Securitron® DM62 Magnalock®

The ultimate 1,200 lbs holding force Magnalock double magnet for indoor/outdoor high security



The versatile Securitron DM62 electromagnetic lock offers strength and ease of maintenance for interior, perimeter and exterior access control—in a compact double magnet.

This all-in-one unit is designed for double doors with no mullion. With unsurpassed durability, the Securitron DM62 will last long after most buildings wear out.

Features

Standard Features

- Ultra-secure collapsing blind nuts mount to door frame for strength and reliability
- Fully sealed for weatherproof operations
- 3' [1 m] of jacketed, stranded conductor cable for each lock
- Automatic dual-voltage —no field adjustment required
- Instant release circuit —no residual magnetism
- Noise suppression with built-in MOV
- Efficient, low power usage
- Rust resistant — all ferrous metal surfaces plated for durability
- MagnaCare® lifetime replacement, no-fault, no questions asked warranty

Optional Features

- **B** Patented BondSTAT magnetic bond sensor
- **D** Integrated door position switch (DPS)
- **OS** Offset strike plates



Grade 2



MagnaCare
Warranty



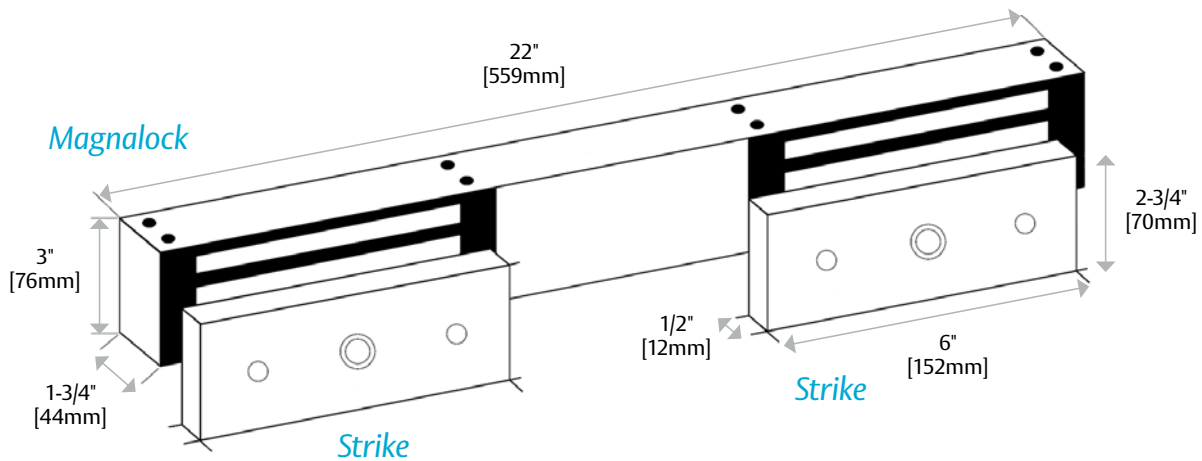
Auto Sensing
Dual Voltage
12/24



Fire Rated

Securitron DM62 Magnalock

Dimensions



Specifications

Certifications

- UL 10C Listed
- CAN4-S104, CAN/ ULC-S533 Listed
- ANSI/BHMA A156.23, Grade 2; E08511-1000 Compliant
- CSFM- California State Fire Marshal Approved

Electrical (Per Lock)

- 250 mA at 12 VDC
- 150 mA at 24 VDC

Holding Force (Per Lock)

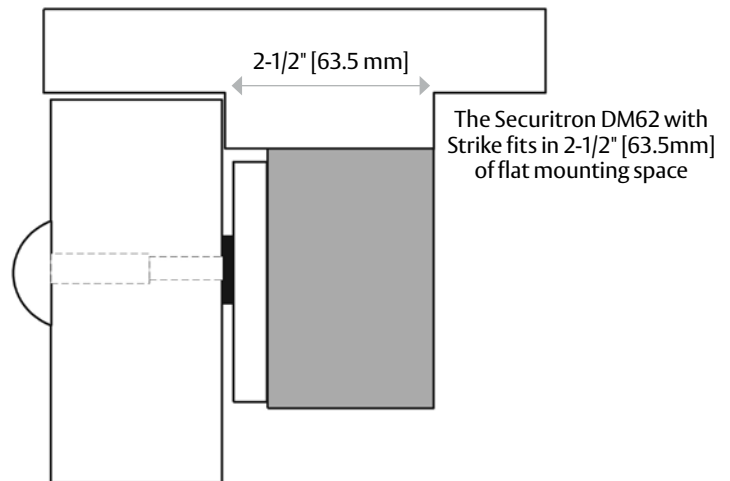
- 1,200 lbs [544kg]

Operating Temperature

- -40° to 140°F [-40° to 60°C]
- Indoor or Outdoor use

Shipping Weight

- 16 lbs [7.26kg]



How to Order

Model Series	Monitoring Options	Strike Plate Options
DM62	BD	- OS
DM62	(blank) No Monitoring	(blank) Standard Strike
	B BondSTAT Monitor	OS Offset Strike
	D Door Position Switch	

Securitron® SAM Shear Aligning Magnalock®

1,200 lbs holding force, shear aligning Magnalock



Hidden strength for any application.

This concealed Magnalock is ideal for traffic control or medium security and with its flexible mounting options the most challenging door control situations. The Securitron SAM Shear Aligning Magnalock has mounting options for a single door or each leaf on a pair of doors and can be on a sliding, in-swing, out-swing or swing-through door. It mounts fully concealed into wood, steel, aluminum or latching in any position: at the header, door edge or threshold.

Features

Standard Features

- Efficient, low power usage
- Automatic dual-voltage — no field adjustment required
- Fully sealed for weatherproof operations
- Rust resistant — all ferrous metal surfaces plated for durability
- Instant release circuit — no residual magnetism
- Noise suppression with built-in MOV
- Recessed for aesthetically appealing finish
- 10 ft [3.05m] of jacketed, stranded conductor cable
- Direct mount in door frame for strength and reliability
- MagnaCare® lifetime replacement, no-fault, no questions asked warranty

Optional Features

- **B** Patented BondSTAT magnetic bond sensor
- **D** Integrated Door Position Switch (DPS)



Grade 2



MagnaCare
Warranty



Auto Sensing
Dual Voltage
12/24



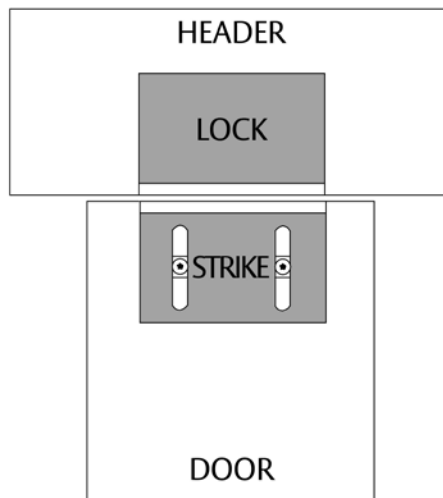
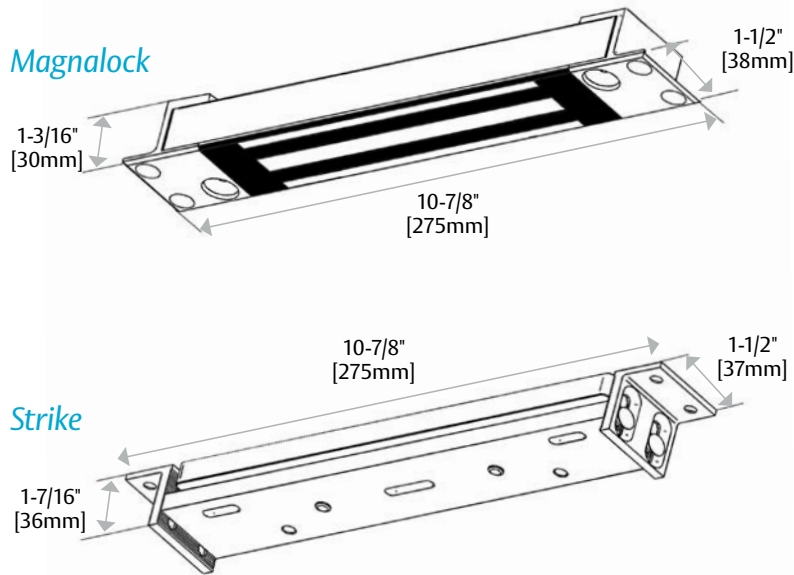
Fire Rated



Preload

Securitron SAM Magnalock

Dimensions



Specifications

Certifications

- UL 10C Listed
- CAN4-S104, CAN/ULC-S533 Listed
- ANSI/UL 294 Listed
- ANSI/BHMA A156.23, Grade 2; E08561-1000, E08571-1000, E08581-1000, E08591-1000 Compliant
- CSFM—California State Fire Marshal Approved
- CE:EN 50081-1(92), EN 61000-6-2(99) Approved

Electrical

- 320 mA at 12 VDC
- 170 mA at 24 VDC

Holding Force

- 1,200 lbs [544kg]

Operating Temperature

- -40° to 140°F [-40° to 60°C]
- Indoor or Outdoor use
- Not for use in open channel doors

Shipping Weight

- 6 lbs [2.72kg]

How to Order

Model Series	Monitoring Options
SAM	BD
SAM 1,200 lbs	(blank) No Monitoring
	B BondSTAT Monitor
	D Door Position Switch

Securitron[®] M34R Recessed Magnalock[®]

*500 lbs holding force,
recessed Magnalock*



Recessed Magnalock for traffic control on a sliding door.

The Securitron M34R secures single sliding doors with Magnalock strength for traffic control applications within a monitored perimeter. The recessed design on the edge of the door that comes against the frame when the door is closed conceals the maglock for hidden protection that blends with the aesthetics of the opening. Ideal on automatic single sliding doors or on sliding doors for patios, storage closets and more.

Features

Standard Features

- Efficient, low power usage
- Automatic dual-voltage—no field adjustment required
- Fully sealed for weatherproof operations
- Rust resistant—all ferrous metal surfaces plated for durability
- Instant release circuit—no residual magnetism
- Noise suppression with built-in MOV
- Recessed for aesthetically appealing finish
- 10 ft [3.05m] of jacketed, stranded conductor cable
- Direct mount in door frame for strength and reliability
- MagnaCare[®] lifetime replacement, no-fault, no questions asked warranty

Optional Features

- **B** Patented BondSTAT magnetic bond sensor
- **D** Integrated Door Position Switch (DPS)



MagnaCare
Warranty



Auto Sensing
Dual Voltage
12/24



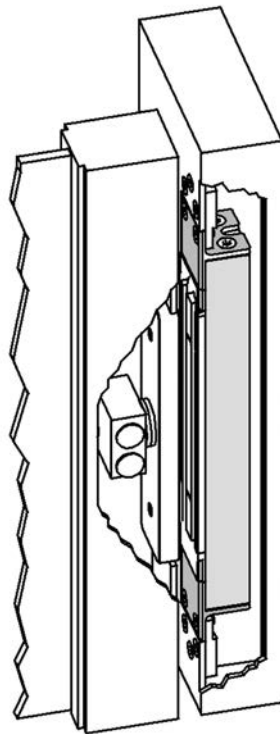
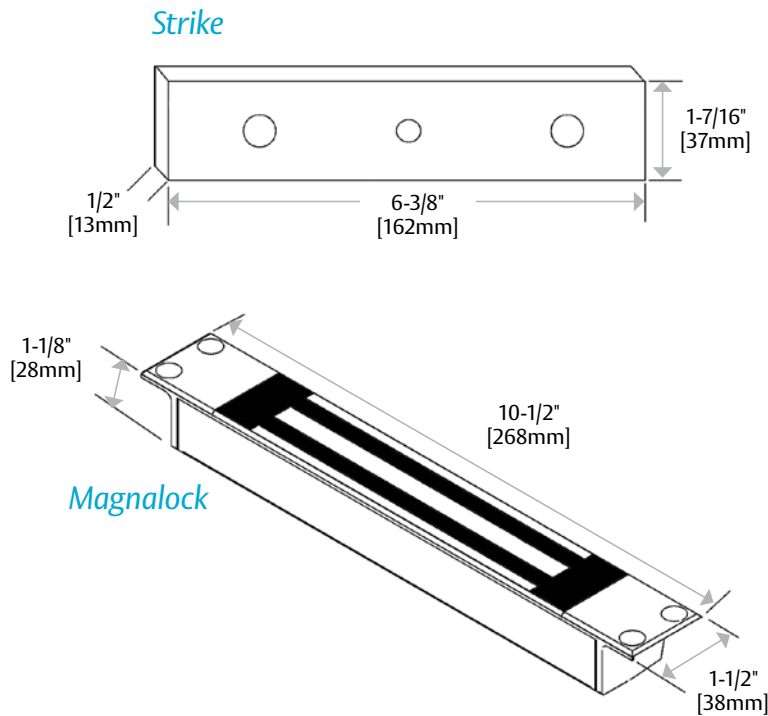
Fire Rated



Preload

Securitron M34R Magnalock

Dimensions



Specifications

Certifications

- UL 294 listed
- CAN4-S104, CAN/ULC-S533 Listed
- CSFM—California State Fire Marshal Approved
- CE:EN 50081-1(92), EN 61000-6-2(99) Approved

Electrical

- 320 mA at 12 VDC
- 170 mA at 24 VDC

Holding Force

- 500 lbs [227kg]

Operating Temperature

- -40° to 140°F [-40° to 60°C]
- Indoor or Outdoor use

Shipping Weight

- 5 lbs [2.23kg]

How to Order

Model Series	Monitoring Options
M34R	BD
M34R	(blank) No Monitoring
	B BondSTAT Monitor
	D Door Position Switch

Securitron[®] SAM2-24 Shear Aligning Magnalock[®]

600 lbs holding force,
shear aligning Magnalock



Hidden strength at any angle ideal for traffic control.

The compact and versatile Securitron SAM2-24 Shear Aligning Magnalock provides 600 lbs. of holding force to swinging or sliding doors. It is ideal for traffic control and to secure smaller applications, like sliding closet doors, atriums, and more. The Securitron SAM2-24 mounts fully concealed into wood, steel, aluminum or Herculite doors in any position: at the header, door edge or threshold.

Features

Standard Features

- Efficient, low power usage
- Fully sealed for weatherproof operations
- Compact design fits tight spaces
- Rust resistant—all ferrous metal surfaces plated for durability
- Instant release circuit —no residual magnetism
- Noise suppression with included MOV
- Recessed for aesthetically appealing finish
- 6 ft [1.83m] of jacketed, stranded conductor cable
- Direct mount in door frame for strength and reliability
- MagnaCare[®] lifetime replacement, no-fault, no questions asked warranty

Optional Features

- C Bond sensor



Grade 3



MagnaCare
Warranty



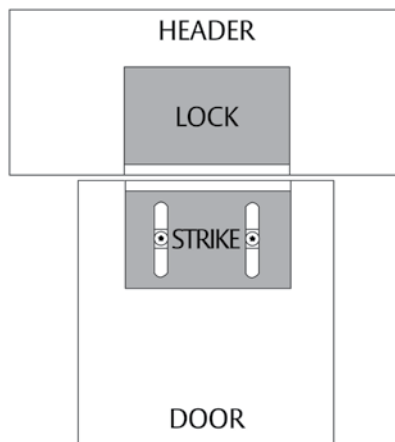
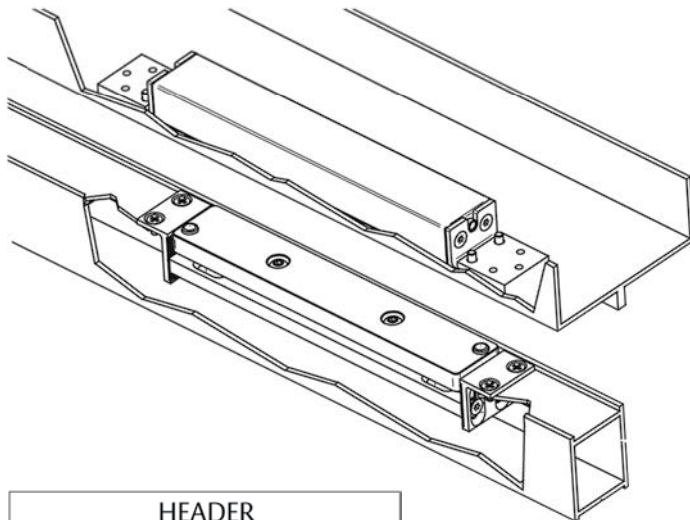
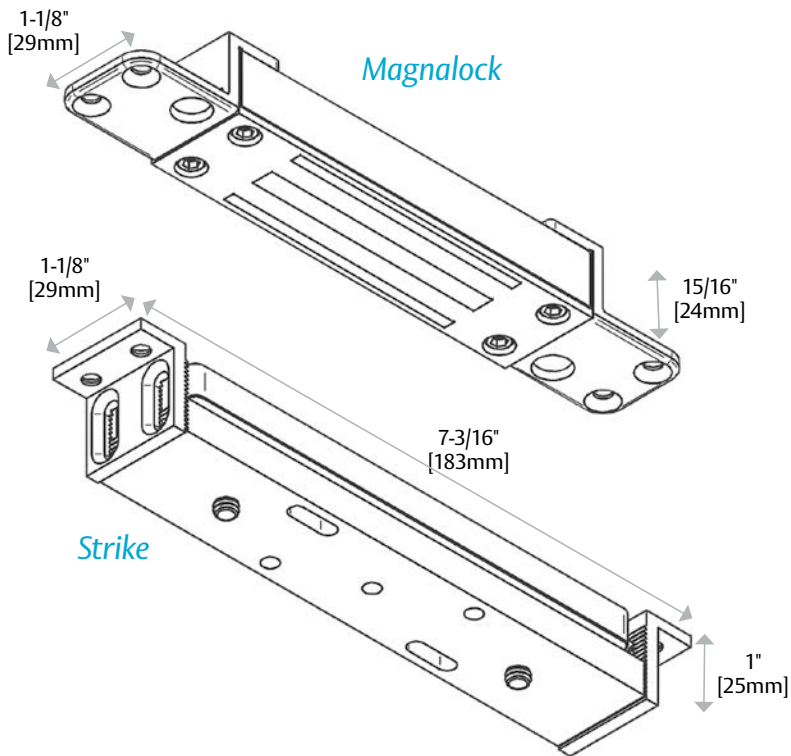
Fire Rated



Preload

Securitron SAM2-24 Magnalock

Dimensions



Specifications

Certifications

- UL 10C Listed
- CAN4-S104, CAN/ULC-S533 Listed
- ANSI/UL 294 Listed
- ANSI/BHMA A156.23, Grade 3; E08571-1000, E08581-500 Compliant
- CSFM—California State Fire Marshal Approved

Electrical

- 84 mA at 24 VDC

Holding Force

- 600 lbs [272kg]

Operating Temperature

- -40° to 140°F [-40° to 60°C]
- Indoor or outdoor use
- Not for use in open channel doors

Shipping Weight

- 2.5 lbs [1.13kg]

How to Order

Model Series	Monitoring Options	Voltage
SAM2	C	-24
SAM2	(blank) No Monitoring	24 VDC only
	C Bond Sensor	

Securitron® SAM Accessories

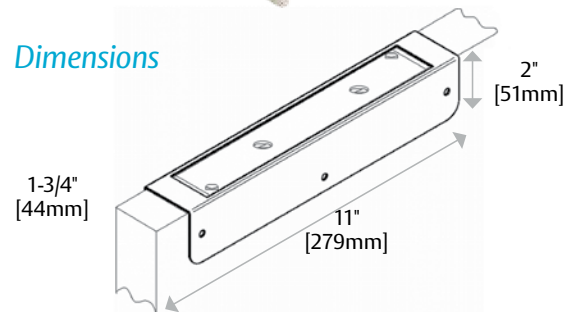
SWB SAM Wood Bracket

- SAM Wood Door Bracket provides additional strength and protection for the SAM strike plate in wood door applications
- MagnaCare® lifetime replacement, no-fault, no questions asked warranty

Part Number	Description	Finish
SWB-03	SAM Wood Bracket	Brass Polished
SWB-10B	SAM Wood Bracket	Oil Rubbed Bronze
SWB-26D	SAM Wood Bracket	Satin Stainless



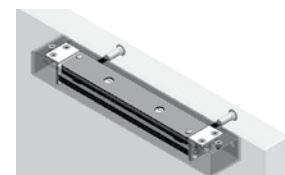
Dimensions



SAM Surface Mount Kit

- Available for the M38 and M68
- Used to mount the lock on the secure side of a door that swings into a secured area
- Includes a Z-Bracket and an oversized Dress Cover
- MagnaCare® lifetime replacement, no-fault, no questions asked warranty

Part Number	Description	Finish
SMLS	Surface Mount Housing Lock	Satin Stainless
SMSS	Surface Mount Housing Strike	Satin Stainless



SMSS



MagnaCare
Warranty

Genuine Magnalock® Selection Guide

Out-Swing Door Magnalock Selection Guide

Locks mount on the secure side of the door and door swings away from secure side.
Dual doors will require two locks (x2), one for each leaf (except for DM62).

Preferred Application = x

Door Type	M32	M380	M62	M680E	M82	SAM
Glass Door (w/ Aluminum Frame)	x	x		x		
Wood Door (Traffic Control)	x	x				
Wood Door (High Security)			x	x	x	
Metal Door (Traffic Control)	x	x				
Metal Door (High Security)			x	x	x	
Herculite Door (w/out Top or Bottom Rail)	x			x		
Herculite Door (w/Top or Bottom Rail)				x		x

In-Swing Door Magnalock Selection Guide

Locks mounted on the secure side of the door and door swings toward secure side. Dual doors will require two locks (x2), one for each leaf.

Preferred Application = x

Door Type	M32F	M38	M62F	M68	M82F
Glass Door (w/ Aluminum Frame)	x	x			
Wood Door (Traffic Control)	x	x			
Wood Door (High Security)			x	x	
Metal Door (Traffic Control)		x			
Metal Door (High Security)			x	x	x

Sliding Door Magnalock Selection Guide

Preferred Application = x

Door Type	M34R	SAM
Double Sliding Doors		x
Single Sliding Doors	x	

All Securitron Magnalocks are fail safe electric locking devices

Securitron[®] Magnalock[®] Options

Anti-Tamper Sensor (T)

The Anti-Tamper option provides a Single Pole Double Throw (SPDT) switch output that indicates if the wire access chamber cover has been tampered with or removed. When connected to an alarm point on an alarm panel or access control system, it offers real-time notification of tampering attempts.

Door Position Switch (D)

The Door Position Switch (DPS) provides a signal to an access control system indicating whether the door is open or closed. When used in conjunction with BondSTAT or SenSTAT, it provides layered status indication for precise information about the door state. The DPS may be ordered included with many Securitron Magnalocks — or as an upgrade kit.

SenSTAT (S)

Unlike commonly used door position switches that indicate only that a door is closed, SenSTAT detects the presence of an armature plate and notifies the access control or alarm system that the magnet is engaged. All SenSTAT Magnalocks use Form 'C' isolated contacts.

BondSTAT (B)

BondSTAT is the next generation of patented electromagnetic lock monitoring. BondSTAT delivers unparalleled peace of mind by detecting an armature plate and notifying access control and/or alarm systems that a door is properly secured. BondSTAT's sensitive magnetic field monitors the entire surface of the armature plate, providing maximum assurance that the lock is engaged. Movement in the armature's position beyond the set tolerance alerts the access control system that the Magnalock may not be generating its full holding force.

Conduit Fitting (G)

The conduit fitting option is offered on some Magnalocks that can be used for gate-mounting applications and features a 3/4" outer diameter and 1/2" inner diameter.

Offset Strike Plate (OS)

An Offset Strike Plate may be required for proper installation of a Magnalock in aluminum frame door applications.

Split Strike Plate (SS)

A Split Strike Plate may be used for a double door with no mullion to provide traffic control using a single Magnalock.

Face Mount (F)

Face Mount Magnalock options provide the holes for the mounting bolts through the face of the magnet in a front-to back orientation rather than through the magnet bottom-to-top.

LED (L)

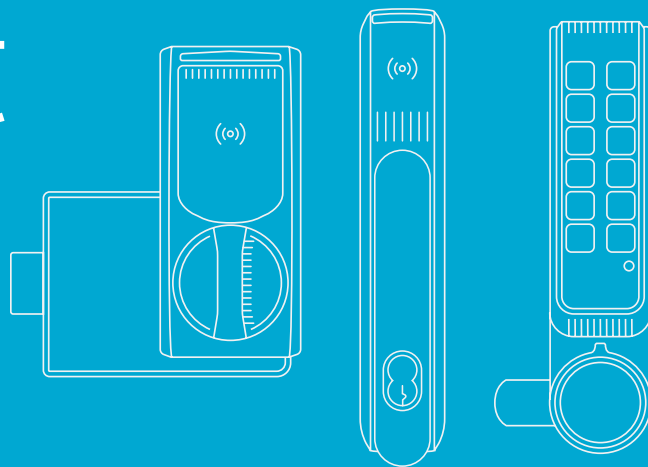
The LED provides a local visual indicator of the status of the lock. On locks with the SenSTAT option, the LED will be green when the lock is powered but not secure, and red when the lock is secure. Locks without the SenSTAT option will only indicate green when powered.

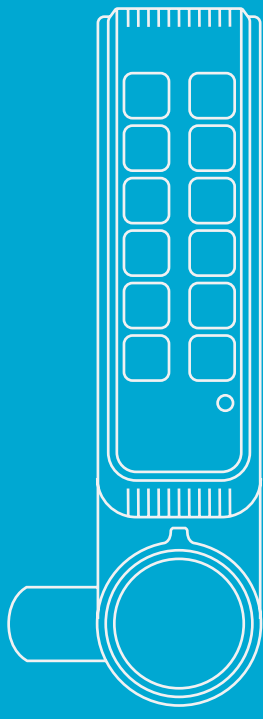
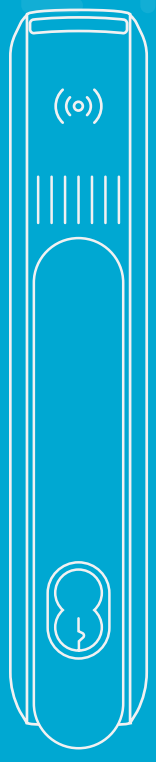
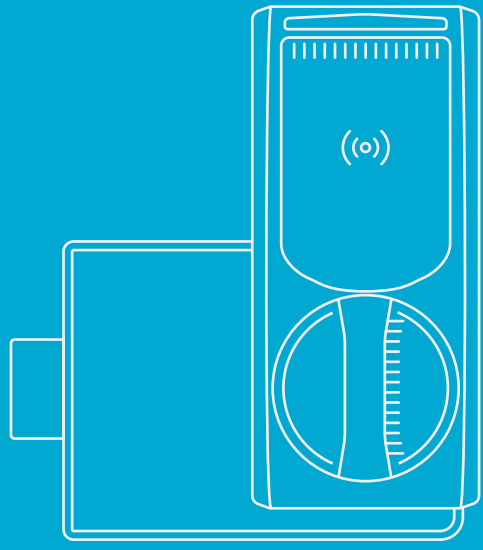
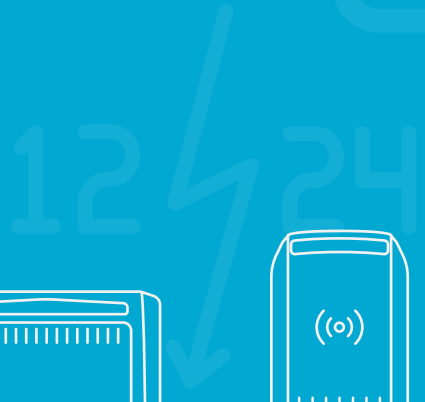
Request to Exit (X)

Some Securitron Magnalock models offer an integrated motion detector that automatically signals the lock to disengage when it detects approaching traffic, also known as request to exit (REX).



Cabinet Locks





HES[®] 610 Cabinet Lock

The compact and cost effective cabinet locking solution



The versatile, compact, cost effective cabinet lock to secure drawers or doors.

The HES 610 Cabinet Lock can be triggered by a simple relay as part of an access control system or with a stand-alone keypad. The HES 610 is available with or without locked state monitoring and has over 200 lbs of holding force.

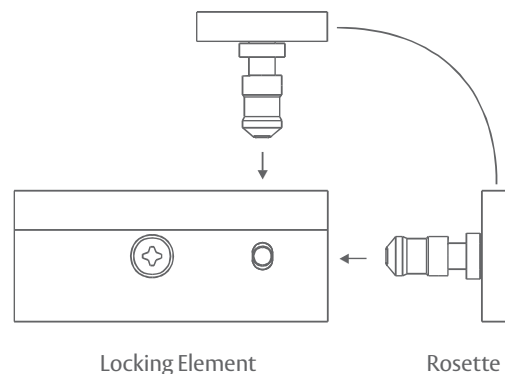
Features

Standard Features

- Field selectable fail secure/fail safe
- Compact design fits most drawers and cabinets
- Installation either at the side or front of cabinets
- SecuriCare three-year, no-fault, no questions asked warranty

Optional Features

- **LM** Locked state monitoring



SecuriCare
Warranty



Swinging
Door



Drawers



Field Selectable
(Fail secure
/Fail safe)



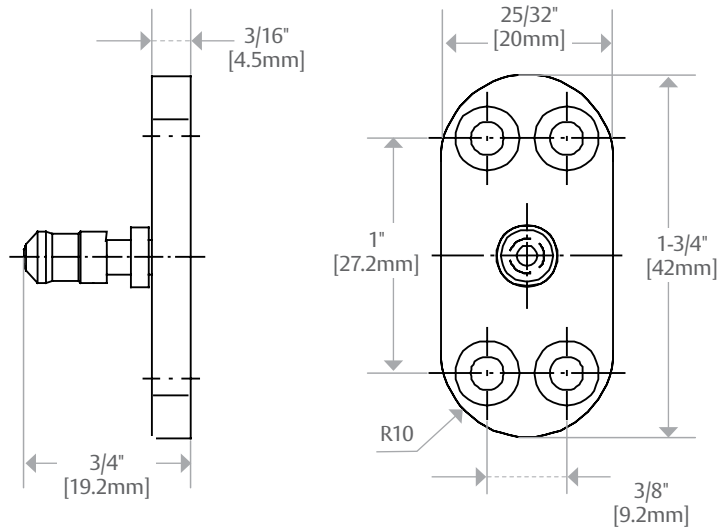
Dual Voltage
12/24



PoE
Friendly

HES 610 Series Cabinet Lock

Dimensions



Specifications

Electrical

- Dual Voltage 12/24 VDC/VAC
- Monitored contact rating 25V / 1A
- 260mA at 12 VDC / 130mA at 24 VDC
140mA at 12 VAC / 70mA at 24 VAC

Holding Force

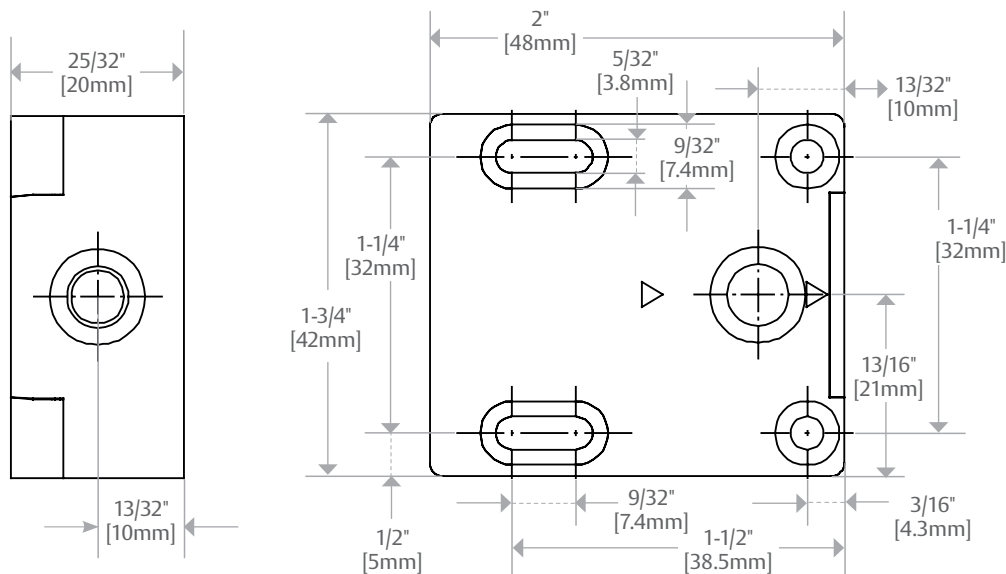
- Static Strength 200 lbs

Environmental

- Operational Temperature 14° to 104° F [-10° to 40° C]
- IP20 Rated
- Indoor Use

How to Order

Series	Option (s)
610	- LM
	(blank) No Monitoring
	LM Locked state monitoring



HES[®] 660 Cabinet Lock

*The strongest surface mounted,
multi-purpose locking solution*



With over 1,000 lbs of static holding force.

The HES 660 Cabinet Lock is available with or without locked state monitoring and a preload release function allowing for smooth functional operation under a variety of environmental conditions. Strong, convenient and flexible, it is ideal for corporate and government applications including lockers, cabinets and display cases.

Features

Standard Features

- All metal construction
- Adjustable mounting brackets with final lockdown feature
- 6 foot cable lead
- Fail Secure (standard)
- SecuriCare three-year, no-fault, no questions asked warranty

Optional Features

- **Preload** (up to 15 lbs)
- **LBSM** Locked state monitoring
- **LBSM Preload** Locked state monitoring with preload

Accessories

- **KO** Key override



3
Year
SecuriCare
Warranty



Swinging
Door



Drawers



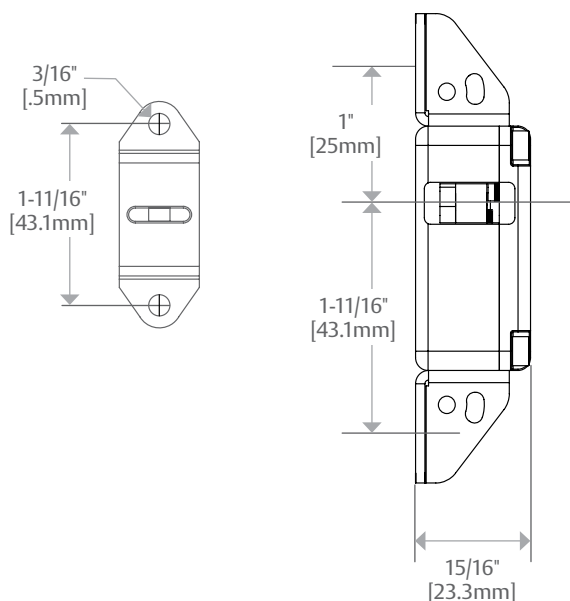
PoE
Friendly



Preload

HES 660 Series Cabinet Lock

Dimensions



Specifications

Certifications

- RoHS compliant

Electrical

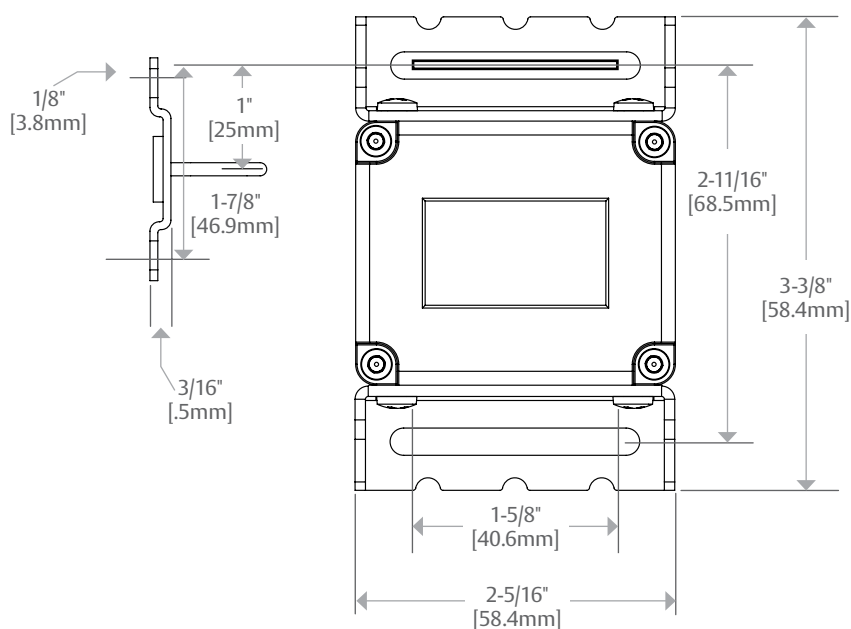
- 12 or 24 VDC \pm 10%
 - 240 mA at 12 VDC / 120 mA at 24 VDC (continuous duty)
 - 700 mA at 12 VDC / 350 mA at 24 VDC (preload option)
 - Monitored contact rating 25V / 1A

Holding Force

- Static strength 1,000 lbs
- Dynamic strength over 100 ft-lbs

Environmental

- Indoor use



How to Order

Series	Voltage	Option (s)
660	– 12V	– LBSM – Preload
	12V 12 Volt	(blank) No preload, no monitoring
	24V 24 Volt	Preload Up to 15 lbs
		LBSM Locked state monitoring
		LBSM–Preload Locked state monitoring with preload

HES[®] KP20 Cabinet Lock

*Stand-Alone Keypad
Cabinet Lock*



The cost effective solution for stand-alone keypad access control to secure drawers or doors.

The battery operated HES KP20 Cabinet Lock is the flexible, low cost cabinet locking solution for low to medium security applications with 75 lbs of holding force.

Features

Standard Features

- Stand-alone access control
- No audit trail
- Public (one-time) or Private (continuous) mode configuration options
- 12 button keypad
- LEDs indicate valid/invalid access
- Supports one (4 – 12 digit) master code
- Supports one (4 – 12 digit) user code
- Aluminum die-cast construction
- Non-handed
- Installs on wood or metal cabinet drawers or doors 1/16" to 7/8" [1.5 – 22.2 mm] thick
- Micro USB for emergency override upon loss of power
- SecuriCare three-year, no-fault, no questions asked warranty

Optional Features

- Supports 3rd party locking cams (i.e. hook)



3
Year
SecuriCare
Warranty



Swinging
Door



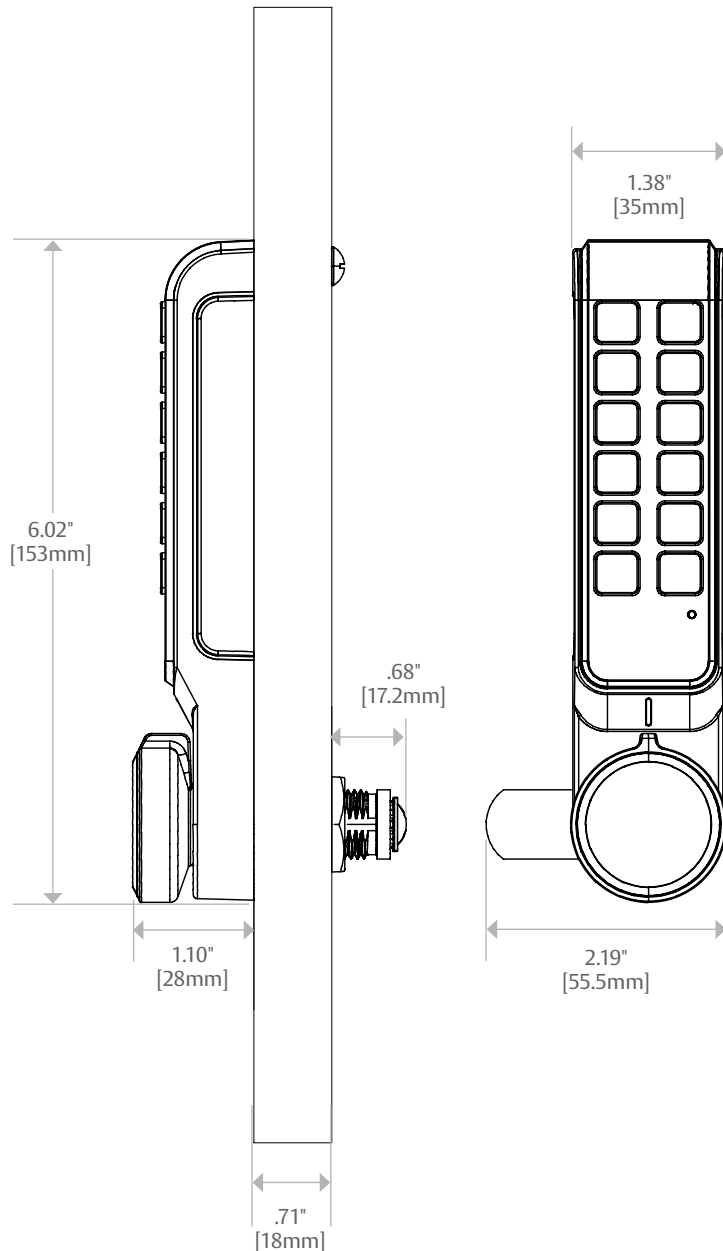
Drawers



Battery
Backup

HES KP20 Series Cabinet Lock

Dimensions



Specifications

Certifications

- FCC Part 15 & Industry Canada compliant
- EU/CE Mark (EN 300 & 301)
- RoHS compliant

Electrical

- 30,000 cycles
- 3 x AAA alkaline batteries (sold separately)
- External emergency power through micro USB

Holding Force

- Static strength 75 lbs

Environmental

- Operating Temperature: 32° to 122°F [0° to 50°C]
- Humidity: 0 to 90% RH
- Indoor use

Keypad Technology

- 12-Button Keypad
 - One master code (4 – 12 digit)
 - One user code (4 – 12 digit)

HES[®] K20 Cabinet Lock

Stand-Alone RFID Cabinet Lock



The cost effective solution for stand-alone RFID access control to secure drawers or doors.

The battery operated HES K20 Cabinet Lock is the flexible, low cost cabinet locking solution for low to medium security applications with 75 lbs of holding force.

Features

Standard Features

- Stand-alone access control
- No audit trail
- Public (one-time) or Private (continuous) mode configuration options
- 13.56 MHz RFID card technology (cards sold separately)
- LEDs indicate valid/invalid access
- Supports 1 to 20 master credentials
- Supports 1 to 20 user credentials
- Aluminum die-cast construction
- Non-handed
- Installs on wood or metal cabinet drawers or doors 1/16" to 7/8" [1.5 – 22.2 mm] thick
- Micro USB for emergency override upon loss of power
- SecuriCare three-year, no-fault, no questions asked warranty

Optional Features

- Supports 3rd party locking cams (i.e. hook)
- 13.56 MHz MIFARE Classic credentials (sold separately)



3
Year
SecuriCare
Warranty



Swinging
Door



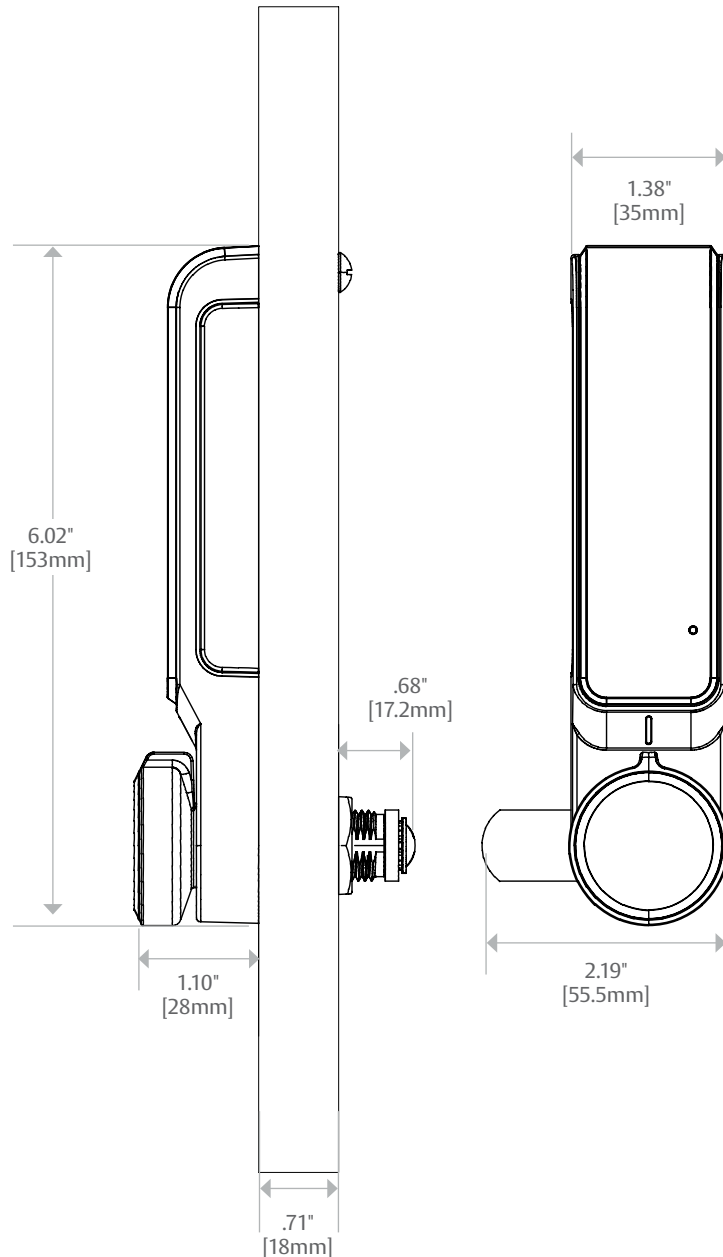
Drawers



Battery
Backup

HES K20 Series Cabinet Lock

Dimensions



Specifications

Certifications

- FCC Part 15 & Industry Canada compliant
- EU/CE Mark (EN 300 & 301)
- RoHS compliant

Electrical

- 30,000 cycles
- 3 x AAA alkaline batteries (sold separately)
- External emergency power through micro USB

Holding Force

- Static strength 75 lbs

Environmental

- Operating Temperature: 32° to 122°F [0° to 50°C]
- Humidity: 0 to 90% RH
- Indoor use

Card Technology

- High Frequency (13.56 MHz)
 - MIFARE Classic™
 - MIFARE Ultralight™

HES[®] K100 Cabinet Lock

*Wireless cabinet lock
with Aperio[®] technology*



The flexible integrated solution for extending access control to secure lockers, drawers or doors.

The K100 Cabinet Lock comes standard with locked state monitoring, optional mechanical key override and over 150 lbs of holding force.

The HES K100 supports either HID[®] 125 kHz Prox or 13.56 MHz iCLASS SE[®] contactless credentials. It uses local wireless communication between the lock and an Aperio hub to bring access control to cabinets and drawers where audit trail and monitoring are increasingly critical.

Features

Standard Features

- 2.4 GHz Aperio Wireless technology
- Integrates with existing access control systems and ID badges
- Audit trail limited by EAC system
- LEDs indicate valid/invalid entries
- Locked State Monitoring (standard)
- Installs on wood or metal cabinet doors & drawers
- Works with cabinet doors and lockers with door thickness of 1/16" to 1-1/2" [1.5mm – 38.1mm]
- Non-handed
- SecuriCare three-year, no-fault, no questions asked warranty

Optional Features

- iCLASS (SE) or Prox (PA) card technology
- Mechanical key override (sold separately)

Accessories

- **622-JSP** Jump-start battery pack
- **OBS-622** Open back strike plate
- **EXT-10-ANT** Aperio Hub External Antenna (Omni-directional)



SecuriCare
Warranty



Swinging
Door



Drawers

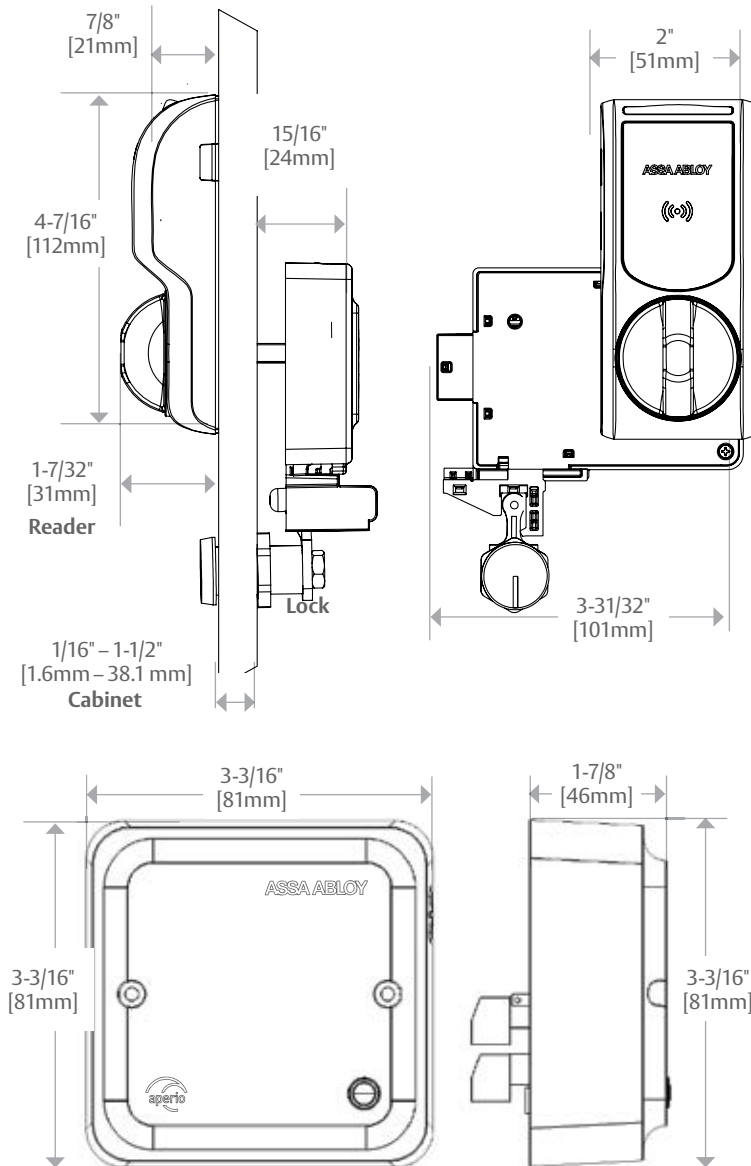


Battery
Backup

NOTE: The HES K100 Cabinet Lock is available as either a pre-paired lock and hub kit (no certification required) or as a field configurable component (requires Aperio[®] Certified Integrator certification). Pre-paired kits support limited features. Field configured devices are required in order to support all options. Visit IntelligentOpenings.com to learn more.

HES K100 Series Cabinet Lock

Dimensions



Specifications

Certifications

- FCC Part 15 & Industry Canada Compliant

Electrical

- 50,000 cycles
- 2 x AA lithium batteries (included)
- Low battery signaling and reporting
- External emergency power through 3.5mm jack

Holding Force

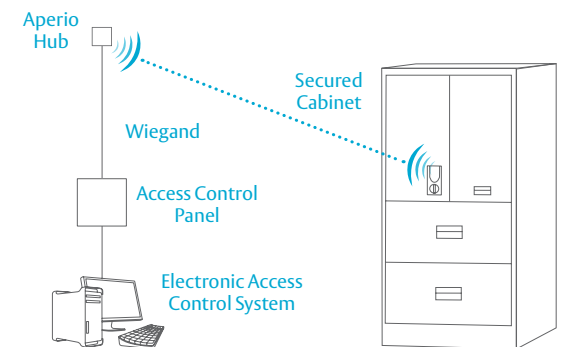
- Static strength 150 lbs

Environmental

- Operating Temperature: 32° to 122°F [0° to 50°C]
- Indoor use

Card Technology

- Supports 13.56 MHz or 125 kHz credentials
- High Frequency (13.56 MHz)**
 - HID iCLASS®
 - HID iCLASS SE® (SIO-enabled)
 - HID iCLASS® Seos®
 - ISO 14443b UID
 - MIFARE Classic™
 - MIFARE Plus™
 - MIFARE DESfire™ EV1
 - MIFARE DESfire™ SE
- Low Frequency (125 kHz)**
 - HID® Prox
 - EM Prox
 - AWID Prox
- NFC-enabled Mobile Phones



How to Order

Series	Model	Card Technology	Color	Thumbturn
K100	-622	-PA	-B	2
	622H Factory Paired*	PA HID 125 kHz Prox SE HID 13.56 MHz iCLASSE	B Black	2 Pinch

*Kit includes integrated lock paired with Wiegand 1:1 wireless hub

HES[®] K200 Cabinet Lock

Integrated Wiegand cabinet lock



The flexible integrated solution for extending access control to secure lockers, drawers or doors.

The hard powered HES K200 Cabinet Lock comes standard with locked state monitoring, optional mechanical key override and over 150 lbs of holding force.

Features

Standard Features

- Hardwired Wiegand communication
- Integrates with existing access control systems and ID badges
- Audit trail limited by EAC system
- HID multiCLASS SE[®] card technology
- LEDs indicated valid/invalid entries; Red Amber or Green Amber
- Locked state monitoring (standard)
- Installs on wood or metal cabinet doors and drawers
- Works with cabinet doors and lockers with door thickness of 1/16" to 1-1/2" [1.5mm to 38.1mm]
- Non-handed
- SecuriCare three-year, no-fault, no questions asked warranty

Optional Features

- Mechanical key override (sold separately)

Accessories

- **OBS-622** Open back strike plate
- **CBL6-QC12** K200/KS200 Lock Side Interface Cable: 6 foot, 12 conductor and Molex both ends
- **CBL12-QC12** K200/KS200 Lock Side System Interface Cable: 12 foot, 12 conductor and Molex one end, pinned one end
- **WT-1** Wiegand Test Box with LED Indicators
- **WT-2** Wiegand Test Box with LCD Backlit Display and LED Indicators



3
Year
SecuriCare
Warranty



Swinging
Door



Drawers



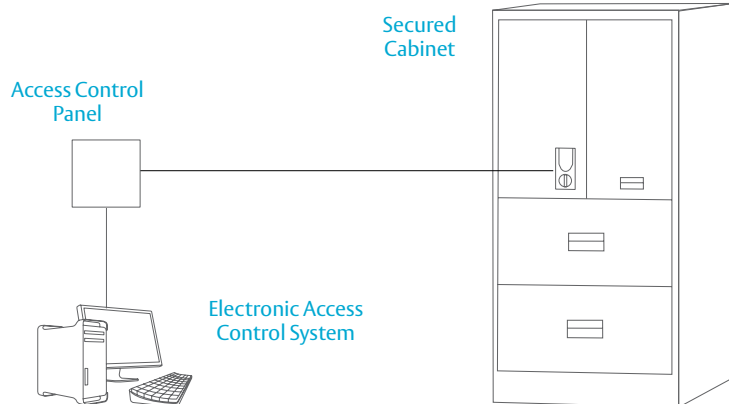
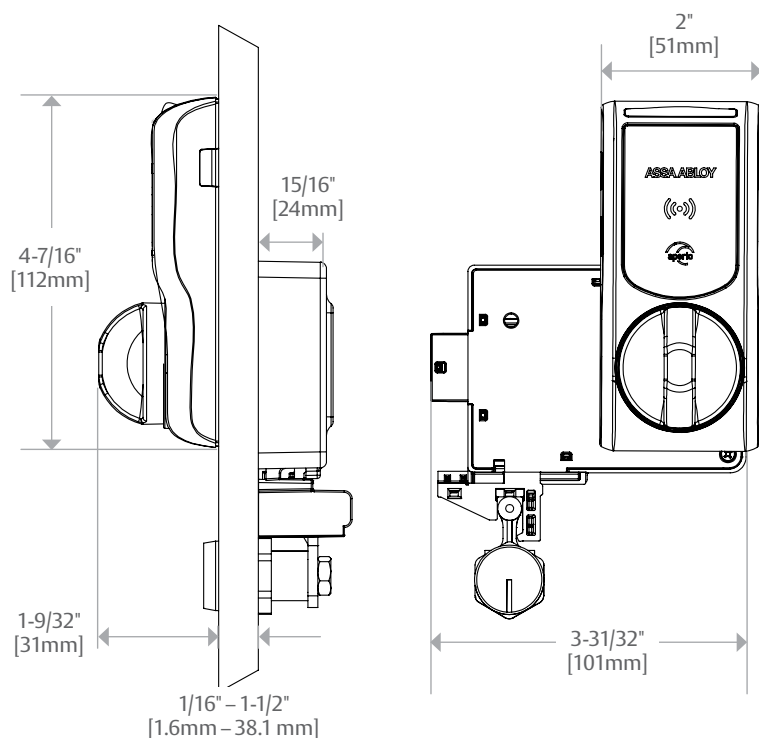
Dual Voltage
12/24



PoE
Friendly

HES K200 Series Cabinet Lock

Dimensions



Specifications

Certifications

- FCC Part 15 & Industry Canada Compliant
- CE Red
- RoHS Compliant

Electrical

- Dual voltage 12/24 VDC
- 226 mA at 12 VDC / 118 mA at 24 VDC

Holding Force

- Static strength 150 lbs

Environmental

- Operating Temperature: 32° to 122°F [0° to 50°C]
- Indoor Use

Card Technology

- Supports 13.56 MHz & 125 kHz credentials
- **High Frequency (13.56 MHz)**
 - HID iCLASS®
 - HID iCLASS SE® (SIO®-enabled)
 - HID iCLASS® Seos®
 - ISO 14443b UID
 - MIFARE Classic™
 - MIFARE DESfire™ EV1
 - MIFARE DESfire™ SE
 - FeliCa™ (IDm)
- **Low Frequency (125 kHz)**
 - HID® Prox
 - EM4102
 - AWID Prox
- NFC-enabled Mobile Phones

How to Order

Series	Model	Color	Thumbturn
K200	- 622	- B	2
	622 Wiegand, multiCLASS SE	B Black	2 Pinch

HES[®] KS200 Server Cabinet Lock

*Integrated Wiegand server
cabinet lock*



Designed to integrate seamlessly with existing access control systems and protect critical assets from intrusion and expensive downtime.

Designed to install easily on most swing handle server cabinet doors, the HES KS200 Server Cabinet Lock comes standard with lock monitoring and utilizes an SFIC (Small Format Interchangeable Core) mechanical key override. An additional optional extended DPS monitoring sensor can be connected to ensure that the cabinet is closed, locked and secure.

The hard powered HES KS200 features HID multiCLASS SE[®] contactless card technology.

Features

Standard Features

- Hardwired Wiegand communication
- Integrates with existing access control systems and ID badges
- Audit trail limited by EAC system
- HID multiCLASS SE card technology
- LEDs indicate valid/invalid entries; Red Amber or Green Amber
- Locked state monitoring (standard) and additional optional extended DPS monitoring to ensure cabinet is closed, locked and secure
- Designed for standard cam-activated swing handle applications with 25 mm x 150 mm lock opening
- Non-handed
- SecuriCare three-year, no-fault, no questions asked warranty

Accessories

- **SFIC Mechanical Key Override** (sold separately)
 - SFIC MEDECO X4 SFIC Cylinder & 2 keys (1 control, 1 user)
 - SFIC-BC KS SFIC Blank, Black Plastic Core
- **KS-DPS** Surface Mount DPS (external)
- **KS-CAM38** CAM: 38MM-1
- **KS-CAM45** CAM: 45MM-5
- **CBL6-QC12** K200/KS200 Lock Side Interface Cable: 6 foot, 12 conductor and Molex both ends
- **CBL12-QC12** K200/KS200 Lock Side System Interface Cable: 12 foot, 12 conductor and Molex one end, pinned one end
- **WT-1** Wiegand Test Box with LED Indicators
- **WT-2** Wiegand Test Box with LCD Backlit Display and LED Indicators

For easy 3D instructions, download the BILT mobile app



3
Year
SecuriCare
Warranty



Swinging
Door



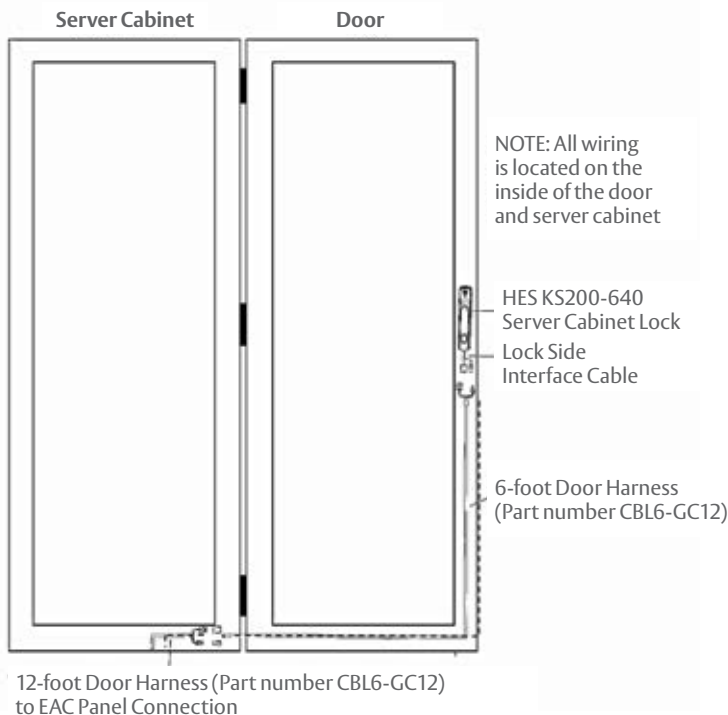
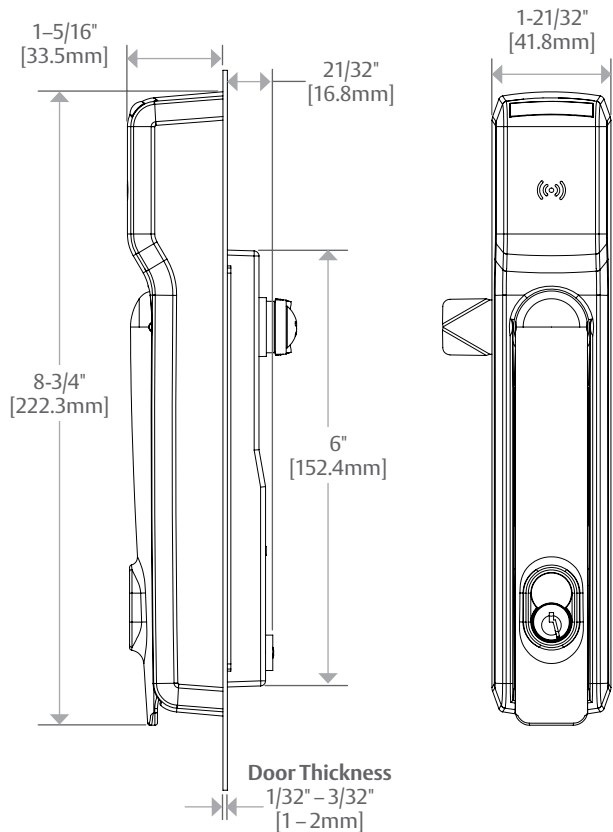
Dual Voltage
12/24



PoE
Friendly

HES KS200 Series Cabinet Lock

Dimensions



Specifications

Certifications

- FCC Part 15 & Industry Canada Compliant
- CE Red
- RoHS Compliant

Electrical

- Dual voltage 12/24 VDC
- 470 mA at 12 VDC / 245 mA at 24 VDC

Holding Force

- Static strength 250 lbs

Environmental

- Operating Temperature: 32° to 122°F [0° to 50°C]
- Indoor Use

Card Technology

- Supports 13.56 MHz & 125 kHz credentials
- **High Frequency (13.56 MHz)**
 - HID iCLASS®
 - HID iCLASS SE® (SIO®-enabled)
 - HID iCLASS® Seos®
 - ISO 14443b UID
 - MIFARE Classic™
 - MIFARE DESfire™ EV1
 - MIFARE DESfire™ SE
 - FeliCa™ (IDm)
- **Low Frequency (125 kHz)**
 - HID® Prox
 - EM4102
 - AWID Prox
- NFC-enabled Mobile Phones

Securitron® MCL Cabinet Magnalock®

*The compact versatile
asset management cabinet
locking solution*



The Securitron MCL is ideal for extending access control to all sizes and shapes of cabinets and enclosures that require asset protection.

Typical applications include jewelry cases, museum cases, gun cabinets, pharmaceutical storage cabinets, cash drawers and any swinging or sliding door or drawer that needs asset control — indoors or out.

Features

Standard Features

- Direct mount or bracket mount with common tools for easy installation
- Universal bracket included to support a variety of applications
- Efficient, low power usage
- Fully sealed for weatherproof operation
- Rust resistant — all ferrous metal surfaces plated for durability
- Sealed 6 ft. [1.8m] jacketed, stranded conductor cable
- MagnaCare® lifetime replacement, no-fault, no questions asked warranty



MagnaCare
Warranty



Swinging
Door



Sliding
Door



Drawers



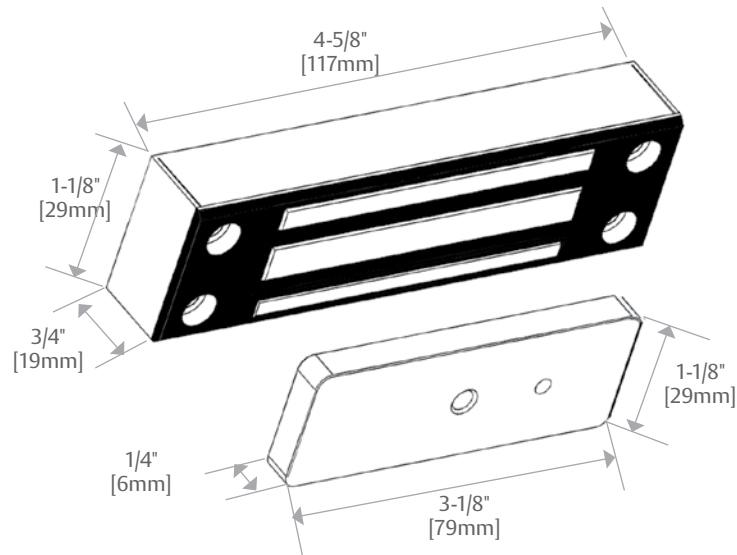
Outdoor
Rated



Preload

Securitron MCL Cabinet Lock

Dimensions



Specifications

Electrical

- 84mA at 24 VDC

Holding Force

- Static Strength 170 lbs

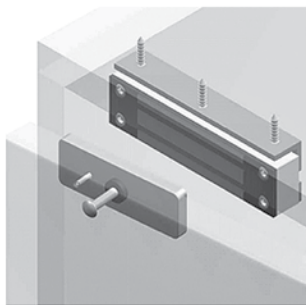
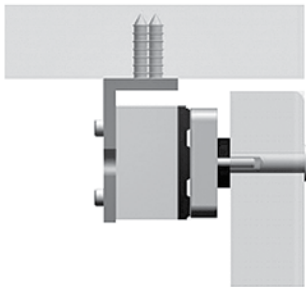
Environmental

- Operating Temperature: 40° to 140°F [-40° to 60°C]
- Indoor or outdoor use

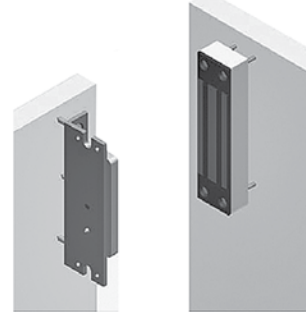
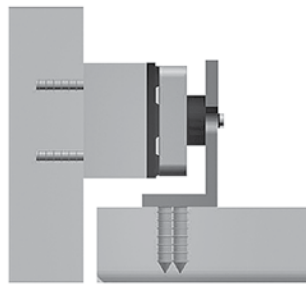
Shipping Weight

- 6 lbs [2.72kg]

Swinging Door



Sliding Door



Securitron[®] M32-SS Split Strike Magnalock[®]

Double-door cabinet control



Now you can add asset control to your existing access control system with the durable, power-efficient Securitron M32-SS.

Each strike plate of the Securitron M32-SS delivers 300 lbs of holding force (600 lbs total). Ideal for securing large two-door cabinets, retail cases or double-door, indoor/outdoor storage applications with out-swinging doors that share a center latching point.

Features

Standard Features

- Direct mount with common tools for strength and reliability
- For 5/8" to 7/8" [15.875mm to 22.225mm] thick cabinet doors
- Efficient, low power usage
- Noise suppression with included MOV
- Instant release circuit — no residual magnetism
- Fully sealed and for weather-proof operations
- Rust resistant — all ferrous metal surfaces plated for durability
- 10 ft. [3.05m] of jacketed, stranded conductor cable
- MagnaCare[®] lifetime replacement, no-fault, no questions asked warranty

Optional Features

- **B** BondSTAT[®] magnetic bond sensor — Patented (MBS)
- Use with CWB-32 bracket for mounting option on wood or concrete



MagnaCare
Warranty



Swinging
Door



Dual Voltage
12/24



Fire Rated



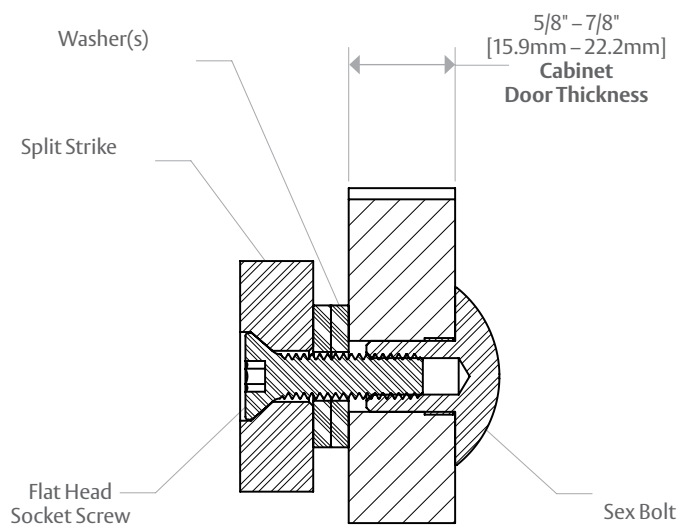
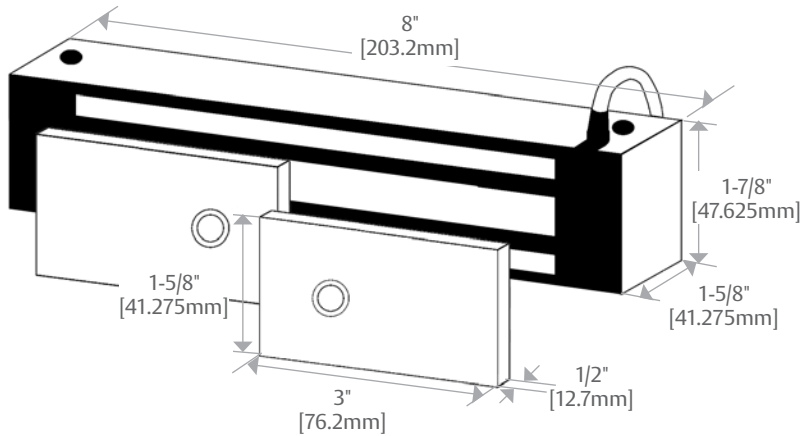
Outdoor
Rated



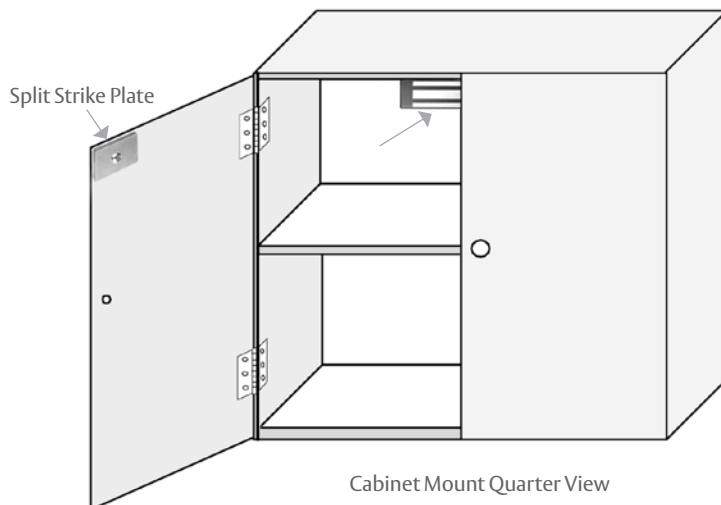
Preload

Securitron M32-SS Split Strike Magnalock®

Dimensions



Includes a shortened sex bolt for use on typical 3/4" MDF cabinet doors



Specifications

Electrical

- Dual voltage 12/24 VDC
- 300 mA at 12 VDC / 150 mA at 24 VDC

Holding Force

- Static Strength 600 lbs (300 lbs per strike)

Environmental

- Operating Temperature: 40° to 140°F [-40° to 60°C]
- Indoor or outdoor use

Shipping Weight

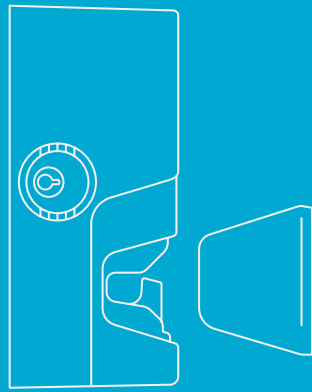
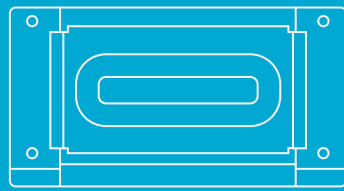
- 6 lbs [2.72kg]

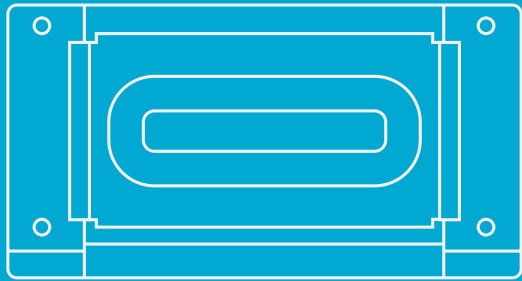
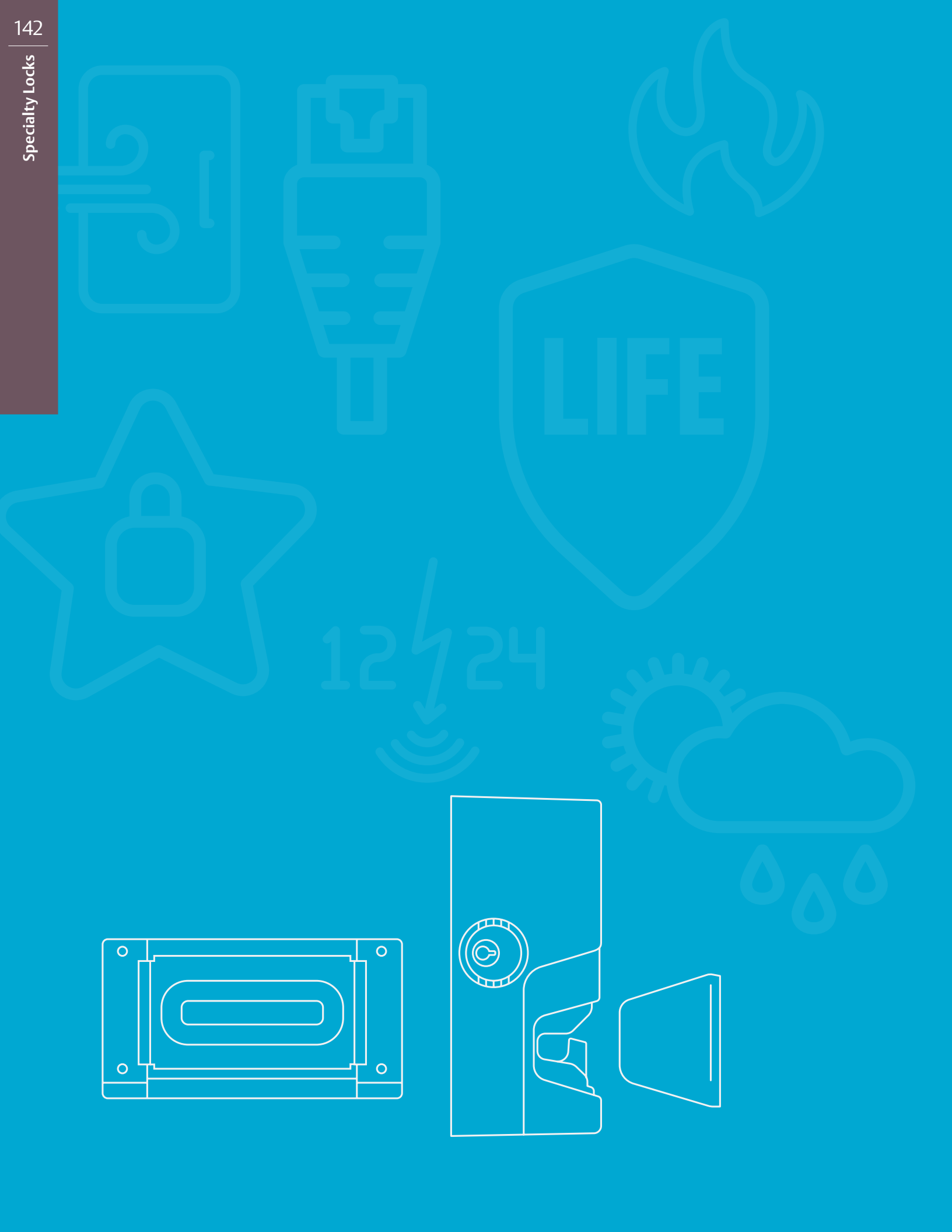
How to Order

Model Series	Monitoring Options	Strike Plate Options
M32	B	-SS
M32 (600 lbs)	(blank) No Monitoring B BondSTAT Monitor	(blank) Standard Strike SS Split Strike



Specialty Locks





Securitron® GL1 Gate Lock

Electromechanical gate solution offers one ton of holding power



The heavy duty Securitron GL1 Electromechanical Gate Lock provides weather-resistant access control for a wide range of gate applications.

The Securitron GL1 provides 2,000 lbs of holding force for electrical and manually operated indoor or outdoor gates where preload is a concern. Ideal for swinging or sliding vehicle, pedestrian or stock gate access control.

Features

Standard Features

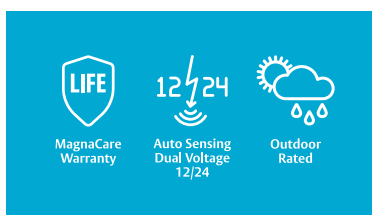
- 2,000 lbs holding force
- Operates under preload up to 100 lbs
- Automatic dual-voltage—no field adjustment required
- Accepts a standard mortise cylinder with Adams Rite MS cam for manual key override (not included, see spacer guide below)
- Self-aligning receiver (+/- 1/2" [12.7mm] horizontally) helps compensate for gate misalignment and sag
- Tamper resistant cast housing
- Optional latch status monitor
- Surface mount
- MagnaCare® lifetime replacement, no-fault, no questions asked warranty

Optional Features

- **FL** Fail locked
- **FS** Fail safe
- **M** Monitoring option

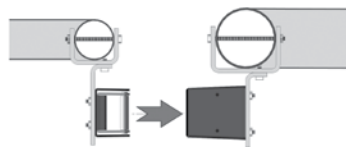
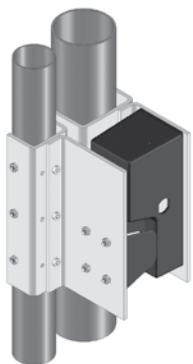
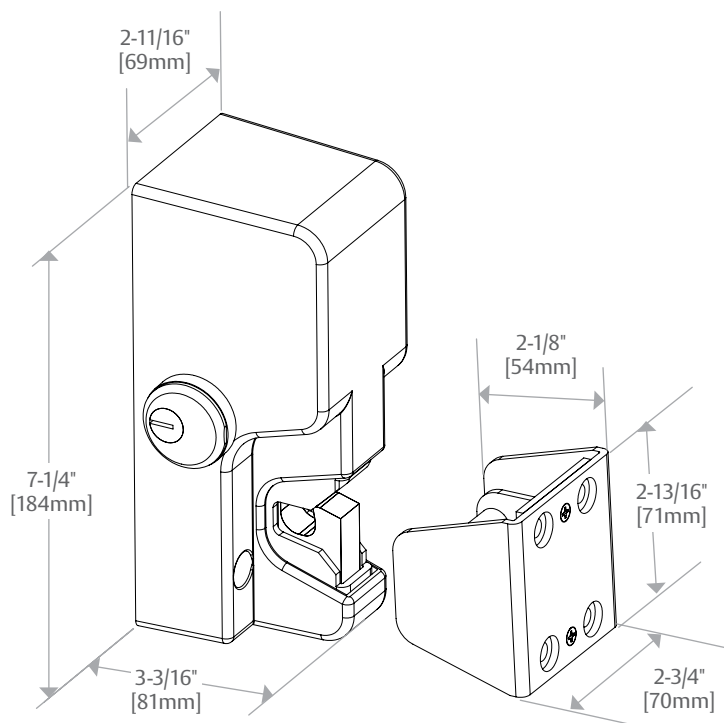
Mortise Spacer Guide

Cylinder Length	Spacer Required
1" [25.4mm]	1/4" [6.35mm]
1-1/8" [28.5mm]	3/8" [9.5mm]
1-1/4" [31.75mm]	1/2" [12.7mm]

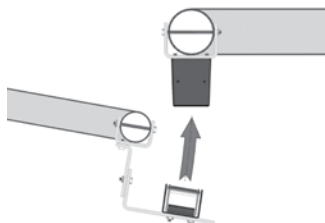
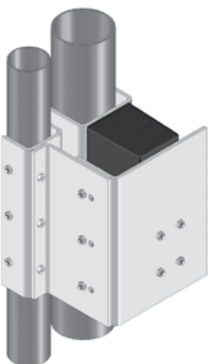


Securitron GL1 Gate Lock

Dimensions



Securitron GL1 with
FMK-SL (sold separately)
for sliding gates



Securitron GL1 with
FMK-SW (sold separately)
for swinging gates

Specifications

Electrical

- 12 Volts Initial (Peak): (~1.0 sec.) at 870 mA — Reduced: 290 mA
- 24 Volts Initial (Peak): (~1.0 sec.) at 720 mA — Reduced: 170 mA

Holding Force

- 2,000 lbs [907kg]

Operating Temperature

- -58° to 167°F [-50° to 75°C]
- Indoor or outdoor use

Shipping Weight

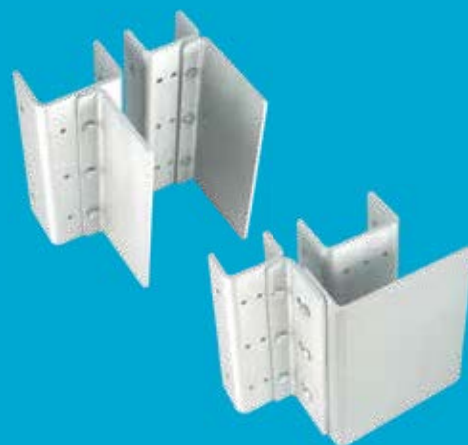
- 6 lbs [2.72kg]

How to Order

Model Series	Lock Fail State	Monitoring Options
GL1	– FS	M
GL1	FL Fail Locked (Fail Secure)	(blank) No Monitoring
	FS Fail Safe	M Monitored

Securitron® FMK Flex-Mount Gate Lock Bracket Kits

*Bracket kits extend access control
to gates and fences*



The Securitron FMK Flex-Mount Bracket System is an intuitive set of mounting brackets designed exclusively for use with the Securitron M62FG Magnalock® and the Securitron GL1 Gate Lock.

Pre-formed post channels and plates of varying lengths make it easy for you to assemble a professional looking, high-security gate lock mounting platform in minutes, without special tools.

Features

Standard Features

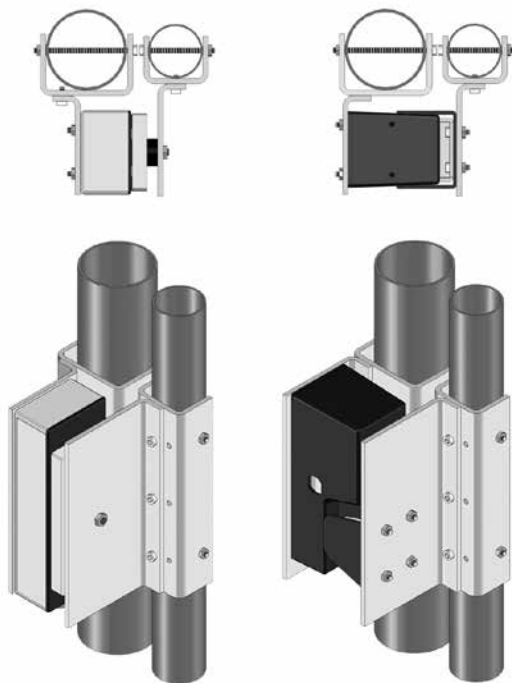
- Permits electronics to be mounted on fence posts or gate posts
- Brackets are reversible
- Bracket kits include brackets, mounting hardware and post shims
- Post brackets are pre-drilled
- Zinc-plated steel provides durability and long life
- Bolt on or weld for installation
- Compatible with maximum 3" [76.2mm] round post with minimum pole separation of 1" [25.4mm]
- Use with post shim brackets for smaller post sizes
- MagnaCare® lifetime replacement, no-fault, no questions asked warranty



MagnaCare
Warranty

Securiton FMK Flex-Mount Gate Lock Bracket Kits

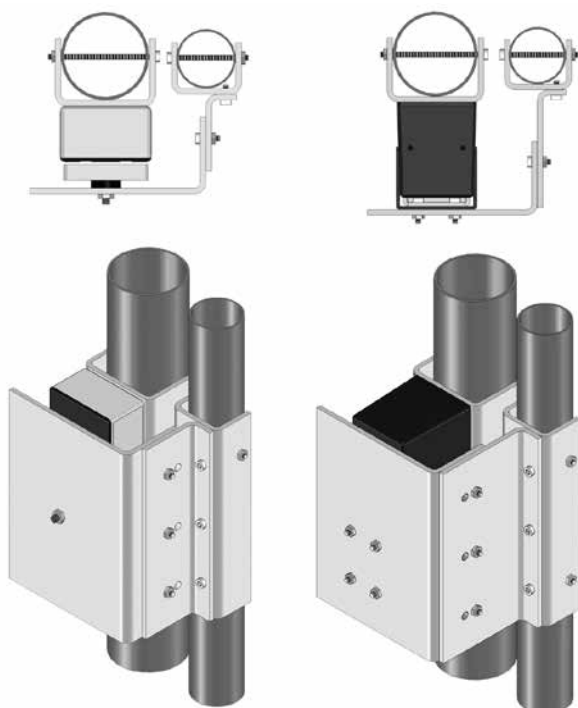
Sliding Gate



Securiton FMK-SL shown with Securiton M62FG

Securiton FMK-SL shown with Securiton GL1

Swinging Gate



Securiton FMK-SW shown with Securiton M62FG

Securiton FMK-SW shown with Securiton GL1

Specifications

Shipping Weight

- 13.4 lbs [6.08kg]

Notes

- Securiton M62FG and Securiton GL1 can be direct mounted on square posts
- To use Securiton FMK-SL with Securiton M62FG-SASM, post separation should be 1" to 2-1/4" [25.4mm – 57.15mm]
- To use Securiton FMK-SW with Securiton M62FG or Securiton GL1, post separation should be 1" to 2-3/4" [25.4mm – 69.85mm]
- To use Securiton FMK-SL with Securiton M62FG or Securiton GL1, post separation should be 1" to 3-3/4" [25.4mm – 95.25mm]

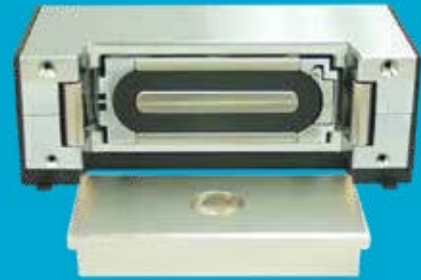
FMK Flex-Mount Kits

Part Number | Description

FMB9-4	Post shim kit for Flex-Mount Brackets - (Set of 4)
FMK-SL	Flex-Mount Kit for Sliding Gate
FMK-SW	Flex-Mount Kit for Swing Gate

Securitron[®] MM15 MEMLOCK[®] Magnetic & Mechanical Lock

*4,000 lbs holding force,
bracket mounted, magnetic
electromechanical lock*



Unique hybrid design, with two tons of holding power.

The hybrid design of this magnetic electromechanical lock includes two springloaded, hardened steel jaws that deliver up to 4,000 lbs of ultimate holding power. In a forced-entry assault, the jaws of the Securitron MM15 MEMLOCK clamp down on the armature plate and hold firm, for an unmatched level of access control.

Features

Standard Features

- Efficient, low power usage
- Ideal for mental healthcare and auxiliary detention facilities and other high-risk locations
- Automatic dual-voltage — no field adjustment required
- Mounting plate for easy, accurate installation
- Size optimized for use with door closers
- Accepts AC or DC current
- Ultra-secure collapsing blind nuts mount to door frame for strength and reliability
- Fail safe
- MagnaCare[®] lifetime replacement, no-fault, no questions asked warranty

Optional Features

- **G** Gate conduit
- **D** Integrated Door Position Switch (DPS)
- **T** Anti-tamper switch

Accessory

- **TS** Tamper shield



MagnaCare
Warranty



Auto Sensing
Dual Voltage
12/24



PoE
Friendly



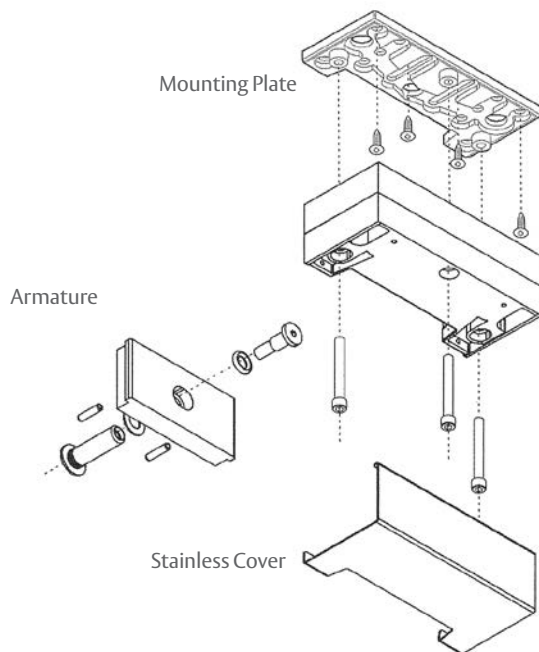
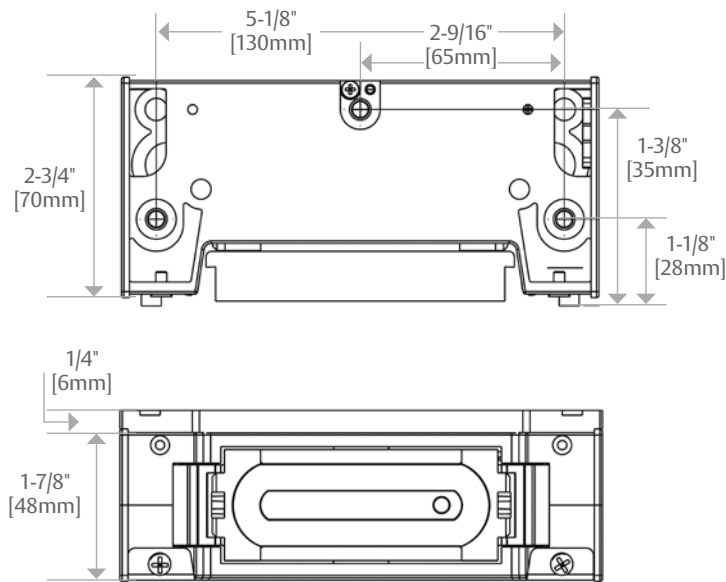
Fire Rated



Preload

Securitron MM15 Magnetic and Mechanical Lock

Dimensions



Specifications

Certifications

- UL 10C Fire Rated, 1 hour
- CAN/ULC-S533 Listed

Electrical

- **AC Current:** 130 mA at 12 VAC; 250 mA at 24 VAC
- **DC Current:** 100 mA at 12 VDC; 200 mA at 24 VDC

Holding Force

- 4,000 lbs [1814 kg]

Operating Temperature

- -40° to 140°F [-40° to 60°C]
- Indoor use only

Shipping Weight

- 6 lbs [2.72kg]

How to Order

Model Series	Mounting Method	Monitoring Options
MM15	G	DT
MM15	(blank) Direct Mount	(blank) No Monitoring
	G Gate Conduit	DT Door Position Switch and Tamper Switch

Securitron[®] MM15 MEMLOCK[®] Accessories

SFP-MM15 Stop Filler Plate

- MagnaCare[®] lifetime replacement, no-fault, no questions asked warranty



Part Number | Description

SFP-1/2BKMM15	SFP-1/2" for MM15, Black Finish
SFP-1/2CLMM15	SFP-1/2" for MM15, Clear Finish
SFP-3/8BKMM15	SFP-3/8" for MM15, Black Finish
SFP-3/8CLMM15	SFP-3/8" for MM15, Clear Finish
SFP-5/8BKMM15	SFP-5/8" for MM15, Black Finish
SFP-5/8CLMM15	SFP-5/8" for MM15, Clear Finish

DC-MM15 Dress Cover

- Available in Black, Polished Brass or Satin Brass finish
- MagnaCare[®] lifetime replacement, no-fault, no questions asked warranty



Part Number | Description

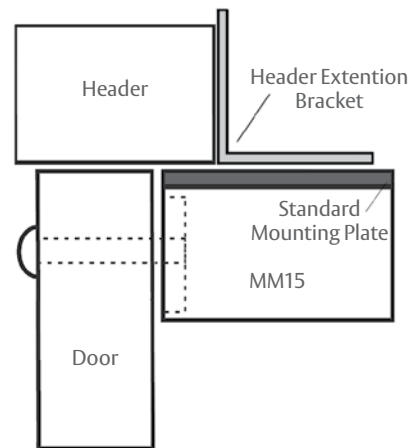
DC-MM15BK	DC-MM15, Black
DC-MM15BP	DC-MM15, Polished Brass
DC-MM15BS	DC-MM15, Satin Brass



Securitron MM15 MEMLOCK® Accessories

HEB-MM15 Header Extension Bracket

- MagnaCare® lifetime replacement, no-fault, no questions asked warranty



Part Number | Description

HEB-1BK-MM15	HEB-1" for MM15 Series, Black Finish
HEB-1CL-MM15	HEB-1" for MM15 Series #130, Clear Finish
HEB-2BK-MM15	HEB-2" for MM15 Series, Black Finish
HEB-2CL-MM15	HEB-2" for MM15 Series #130, Clear Finish
HEB-3BK-MM15	HEB-3" for MM15 Series, Black Finish
HEB-3CL-MM15	HEB-3" for MM15 Series #130, Clear Finish

MM15-TS Tamper Shield

The TS Tamper Shield completely encases the lock face, providing an added layer of protection against attempts to compromise or vandalize the magnetic locking mechanism.



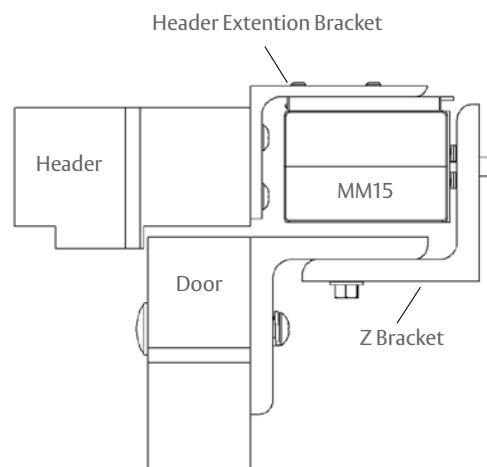
- MagnaCare® lifetime replacement, no-fault, no questions asked warranty

Part Number | Description

MM15-TS	Tamper Shield for MM15 - Stainless Steel
----------------	--

Z-MM15 Z Bracket Kit

- MagnaCare® lifetime replacement, no-fault, no questions asked warranty



Part Number | Description

Z-MM15BK	Z-Bracket—MM15, Black
Z-MM15CL	Z-Bracket—MM15, Clear

Securitron[®] M62FG – SASM Gate Magnalock[®]

*The shock absorbing 1,200 lbs
Magnalock solution for outdoor gates*



The Securitron M62FG-SASM is the only heavy duty Magnalock specifically designed to secure and protect gates.

This weatherproof unit delivers 1,200 lbs of holding force and comes equipped with conduit fittings and a special shock absorbing strike mount (SASM). This unique design dramatically prolongs the life of the lock, the gate and other hardware by controlling excessive impact between the strike plate and the magnet.

The SASM is also available as a separate retrofit kit and is compatible with Securitron M32, M62 or M82 Magnalock strike plates for areas prone to excessive force closures or slamming.

Features

Standard Features

- Flexible bracket options for swinging or sliding applications
- Fully sealed for weatherproof operations
- Includes universal threaded conduit fitting 1/2" [12.7mm] female – 3/4" [19mm] male
- 10 ft. [3.05m] of jacketed, stranded conductor cable
- Noise suppression with built-in MOV
- Automatic dual-voltage —no field adjustment required
- Rust resistant—all ferrous metal surfaces plated for durability
- MagnaCare[®] lifetime replacement, no-fault, no questions asked warranty

Optional Features

- **B** Patented BondSTAT magnetic bond sensor
- **D** Integrated Door Position Switch (DPS)
- **F** Face drilled
- **G** Gate conduit
- **SASM** Shock absorbing strike mount—shock absorption and rebound assistance for proper gate alignment



Grade 2



MagnaCare
Warranty



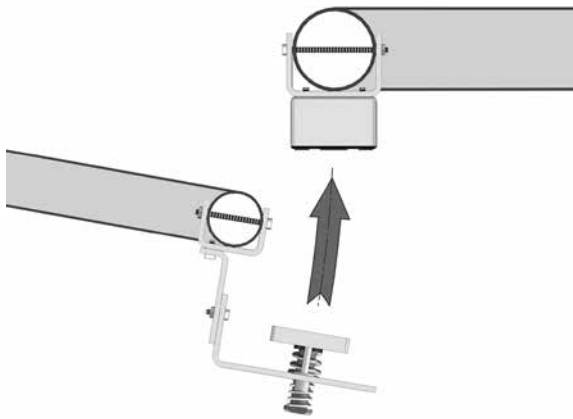
Auto Sensing
Dual Voltage
12/24



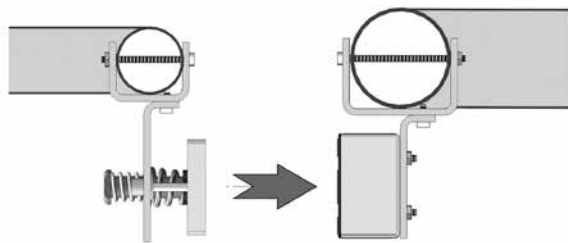
Fire Rated

Securitron M62FG – SASM Gate Magnalock

Dimensions



M62FG-SASM on Swinging Gate Using Flex-Mount Bracket Kit FMK-SW



M62FG-SASM on Sliding Gate Using Flex-Mount Bracket Kit FMK-SL

Specifications

Certifications

- UL 10C Listed
- CAN4-S104, CAN/ ULC-S533 Listed
- ANSI/BHMA A156.23, Grade 2; E08511-1000 Compliant
- CSFM—California State Fire Marshal Approved

Dimensions

- 8" L x 1-3/4" D x 3" H
[203.2mm L x 44.45mm D x 76.2mm H]

Electrical

- 250 mA at 12 VDC
- 150 mA at 24 VDC

Holding Force

- 1,200 lbs [544kg]

Operating Temperature

- -40° to 140°F [-40° to 60°C]
- Indoor or Outdoor use

Shipping Weight

- 12 lbs [5.44kg]

How to Order

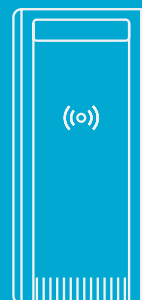
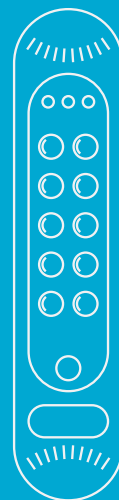
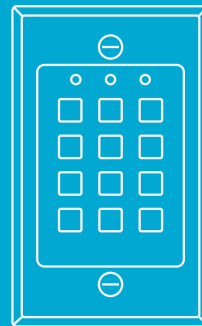
Model Series	Mounting Method	Strike Plate Options
M62	FG	– SASM
M62 1,200 lbs	FG Face drilled, gate conduit	SASM Shock Absorbing Strike Mount



12 24

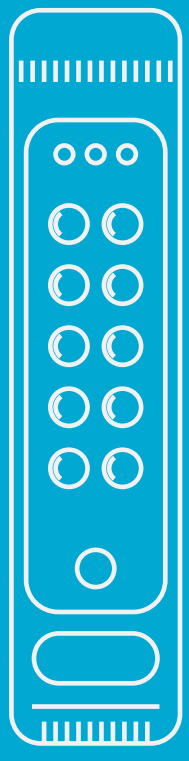
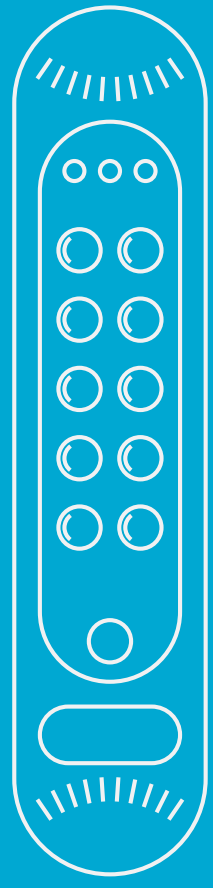
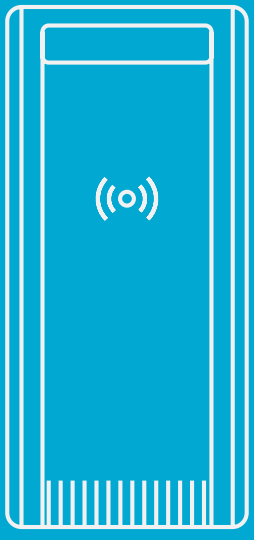
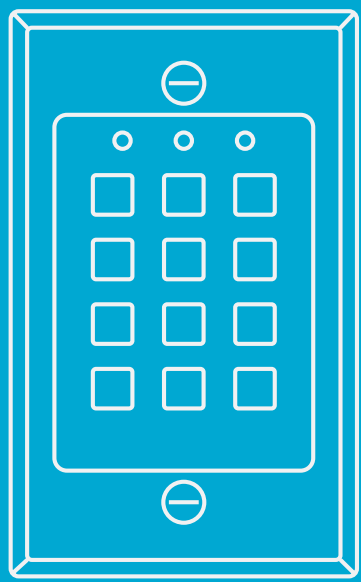


Keypads & Card Readers





12 24



Securitron® DK-12 Digital Keypad System

*All-in-one keypad system
for single door traffic control*



The Securitron DK-12 standalone keypad is ideal for lower security applications such as traffic control.

Easy to install and to program, the one-piece Securitron DK-12 supports 99 user codes, including Passage mode and Lockout mode.

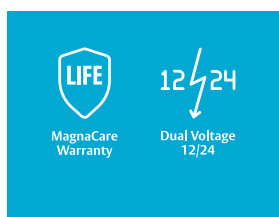
Features

Standard Features

- Single gang, stainless steel plate with low voltage mounting ring
- 12-key illuminated 3x4 keypad
- True 10-digit operation (10 digits plus * and # keys)
- 99 user code capability
- Easy programming from the keypad
- Passage mode and Lockout mode
- Configurable audible keystroke echo
- Red, green and yellow LEDs for status and programming feedback
- Fail secure or fail safe-capable
- Easy to install with simple hand tools
- 5A SPDT timed, control relay output
- Request to exit (REX) input
- Primarily for indoor applications
- US32D/630 Satin Stainless Steel finish
- MagnaCare® lifetime replacement, no-fault, no questions asked warranty

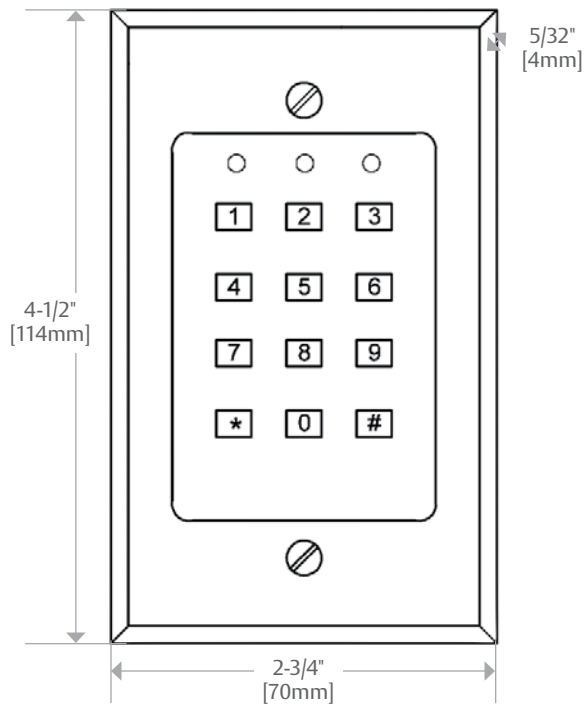
Accessories

- **WCC** Weather-resistant cover
- **WBB** Weather-resistant backbox



Securitron DK-12 Digital Keypad System

Dimensions



Specifications

Electrical

- 100 mA at 12 or 24 VDC
325 mA at 12 or 24 VAC
- Max 30 Volt input
- 5A SPDT Relay

Operating Temperature

- -10° to 140°F [-23° to 60°C]

Shipping Weight

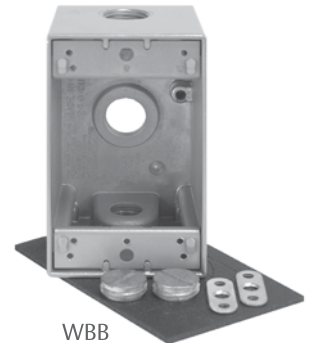
- 1lb [0.45kg]

Need an Outdoor Solution?

WCC and WBB allow Securitron DK-12 to be mounted in outdoor locations not directly exposed to rain or snow.



WCC



WBB

Ordered Separately

Securitron® DK-16 Digital Keypad System

Secure, easy-to-program,
single-door control system



The Securitron DK-16 digital keypad system provides medium/high security control of electric locks in a one- or two-door application where both doors have the same control needs.

The tamper-resistant keypad provides true ten-key operation for use and programming. Encased in a separate enclosure for secure installation in a protected area, the controller offers REX input and relay output for lock control, alarm shunt or other interfaces.

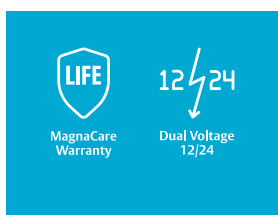
Features

Standard Features

- 12-key keypad with engraved and paint filled numbers
- Stainless steel plate
- Red, green and yellow LEDs for status and programming feedback
- Audible keystroke echo
- True 10-key operation (keys are not paired)
- 59 users with multiple entry codes
- User code and hard code disable feature
- Passage mode and Lockout mode
- Request to exit (REX) input
- 16 ft. [4.8m], 12 conductor, 22 gauge keypad cable
- US32D/630 Satin Stainless Steel finish
- MagnaCare® lifetime replacement, no-fault, no questions asked warranty

Accessories

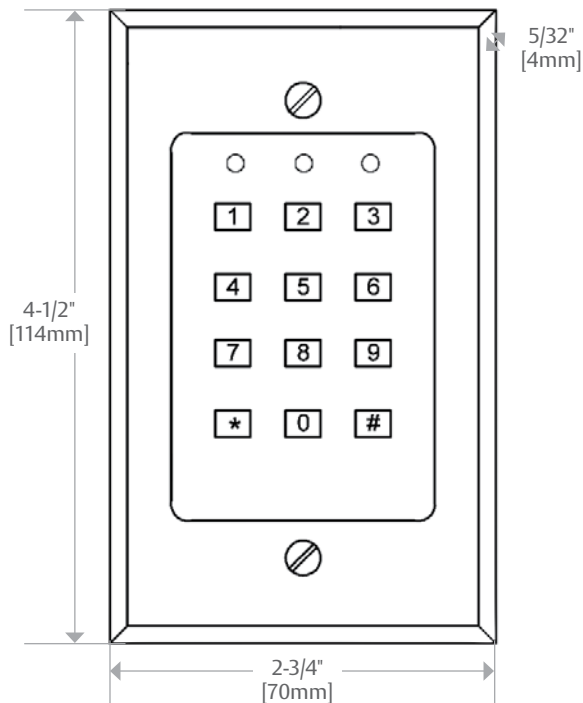
- **WCC** Weather-resistant cover
- **WBB** Weather-resistant back box
- Keypad available as system or separately



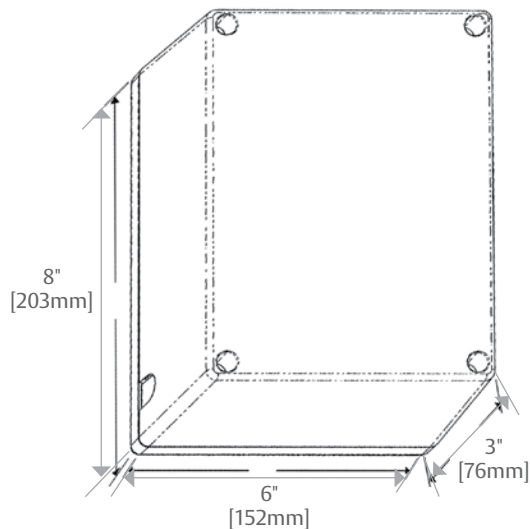
Securitron DK-16 Digital Keypad System

Dimensions

Keypad



Enclosure



Specifications

Electrical

- 12 VAC/VDC: 7 mA at rest; 160 mA active
- 24 VAC/VDC: 20 mA at rest; 190 mA active

Operating Temperature

- CPU: 32° to 158°F [0° to 70°C]
- Keypad: 32° to 110°F [0° to 43°C] Indoor use

Shipping Weight

- Keypad and Controller: 2.8lbs [1.25kg]

How to Order

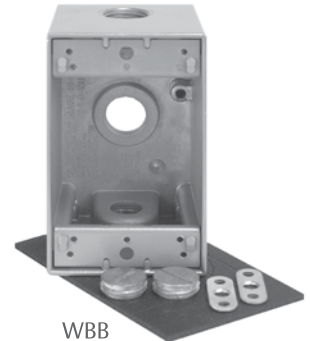
Model Series	Special Feature
DK-16	P
DK-16 Keypad System	P Replacement Keypad only

Need an Outdoor Solution?

WCC and WBB allow Securitron DK-16 to be mounted in outdoor locations not directly exposed to rain or snow.



WCC



WBB

Ordered Separately

Securitron® DK-26 Digital Keypad System

*Digital control system for narrow
stile outdoor applications*



The Securitron DK-26 digital keypad system provides medium/high security control of electric locks in one- or two-door applications where doors have the same control needs.

The fully weatherproof, rugged stainless steel keypad can be mounted in most outdoor environments. Encased in a separate enclosure for secure installation, the full-featured, easy-to-program, Securitron DK-26 is ideal for narrow stile applications.

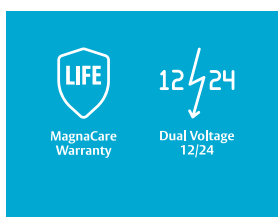
Features

Standard Features

- Cast stainless steel with 11 EPDM rubber keys
- Weatherproof and vandal resistant
- Mounts on a narrow mullion
- Audible keystroke echo
- True 10-key operation (keys are not paired)
- 59 users with multiple entry codes
- User code and hard code disable feature
- Passage Mode and Lockout Mode
- Request to exit (REX) input
- 16 ft. [4.8m], 12 conductor, 22 gauge keypad cable
- MagnaCare® lifetime replacement, no-fault, no questions asked warranty

Optional Features

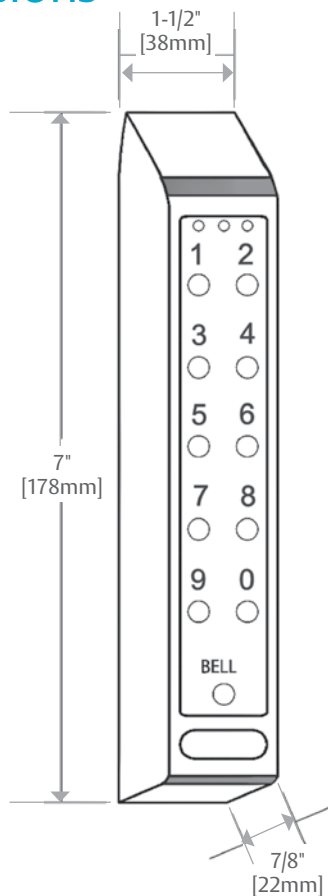
- Keypad available as system or separately



Securitron DK-26 Digital Keypad System

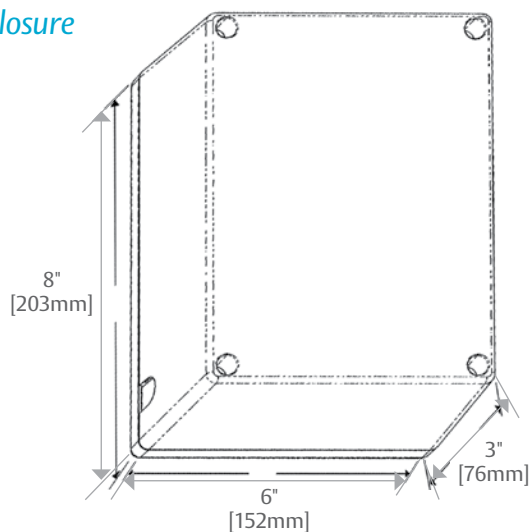
Dimensions

Keypad



DK-26 Cover Plate

Enclosure



Specifications

Certifications

- CE: EN 50091-1, EN 61000-6-2 Approved

Electrical

- 12 VAC/VDC: 7 mA at rest; 160 mA active
- 24 VAC/VDC: 20 mA at rest; 190 mA active

Operating Temperature

- CPU: 32° to 158°F [0° to 70°C]
- Keypad: -22° to 158°F [-30° to 70°C]
Indoor or Outdoor use

Shipping Weight

- 5 lbs [2.27kg]

Accessories

DK26-CPSS Cover Plate

- Allows Securitron DK-26 and DK-37 to be mounted over a single gang box
- MagnaCare lifetime replacement, no-fault warranty

How to Order

Model Series	Special Feature	Finish
DK-26	P	BK
DK-26 Keypad System	P Keypad only	BK Black Anodized SS Stainless Steel

Securitron® DK-37 Digital Keypad

*Digital keypad for
narrow stile applications*



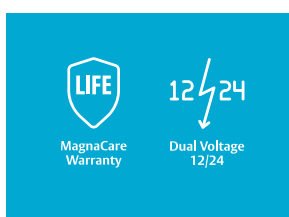
The Securitron DK-37 digital keypad offers Wiegand output for universal compatibility with access control systems.

The fully weatherproof stainless steel keypad is designed for narrow stile applications.

Features

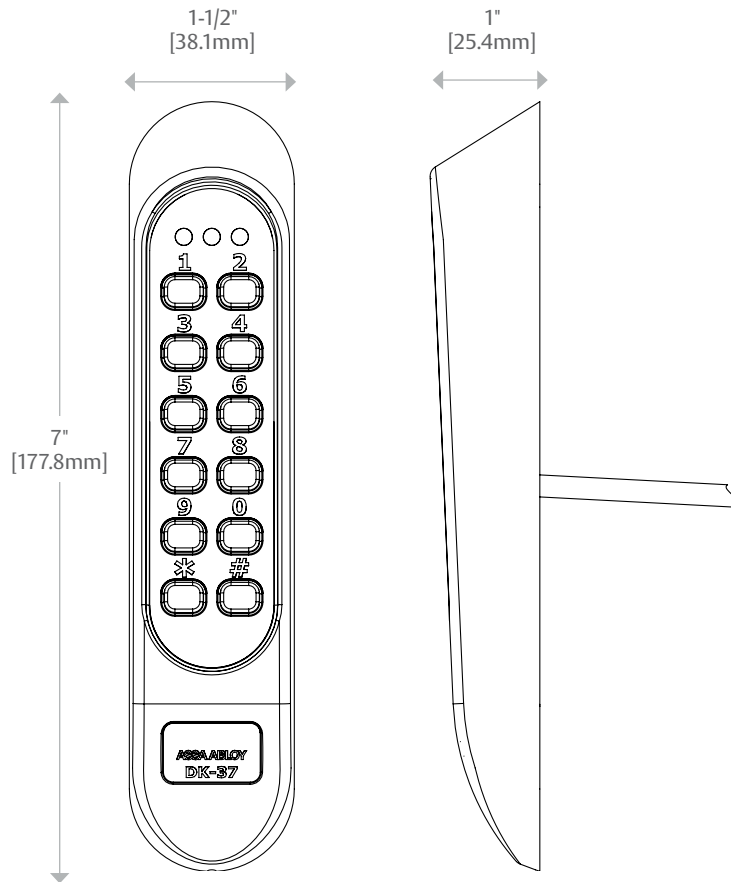
Standard Features

- 12-key cast stainless steel 2x6 keypad with silicone rubber keys
- Weatherproof and vandal resistant
- Dual-voltage 12 VDC or 24 VDC
- Mounts on narrow mullion
- Compatible with access control systems using Wiegand output
- Red, green and yellow LEDs for status and programming feedback
- Audible keystroke echo
- 16 foot [4.88m] cable included
- MagnaCare® lifetime replacement, no-fault, no questions asked warranty



Securitron DK-37 Digital Keypad

Dimensions



Specifications

Certifications

- FCC Part 15 & Industry Canada Compliant

Electrical

- 12 VDC: 7 mA at rest; 35 mA active
- 24 VDC: 16 mA at rest; 75 mA active

Operating Temperature

- Keypad: -22° to 158°F [-30° to 70°C]
- Indoor or outdoor use

Endurance

- 1 million cycles

Shipping Weight

- 1.75lbs [0.8kg]

How to Order

Model Series	Output	Finish
DK-37	W	BK
DK-37 Keypad	W Wiegand Output	BK Black Anodized SS Stainless Steel

Securitron® DK-38 Digital Keypad

*Digital keypad
for indoor applications*



The Securitron DK-38 digital keypad offers Wiegand output for universal compatibility with access control systems.

The single gang illuminated keypad features true 10-key operation and a flush-mount stainless steel faceplate.

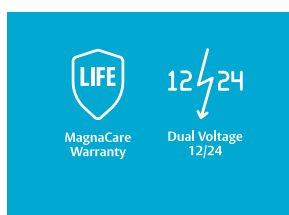
Features

Standard Features

- 12-key illuminated 3x4 keypad
- Dual-voltage 12 or 24 VDC
- Compatible with access control systems using standard Wiegand output
- Single gang mounting
- Red, green and yellow LEDs for status and programming feedback
- Tamper detection
- True 10-digit operation
- Audible keystroke echo
- 16 foot [4.88m] cable included
- US32D/630 Satin Stainless Steel finish
- MagnaCare® lifetime replacement, no-fault, no questions asked warranty

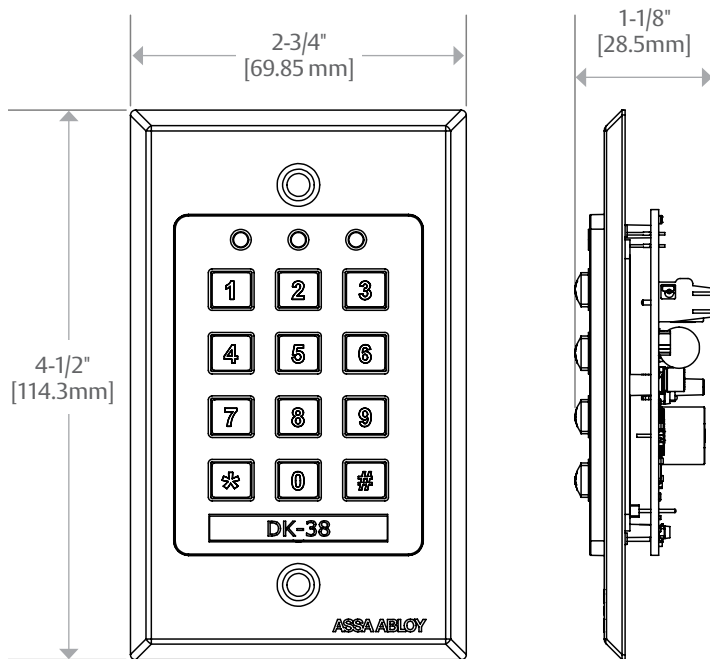
Accessories

- **WCC** Weather-resistant cover
- **WBB** Weather-resistant back box



Securitron DK-38 Digital Keypad

Dimensions



Specifications

Certifications

- FCC Part 15 & Industry Canada Compliant

Electrical

- 12 VDC: 24 mA at rest; 52 mA active
- 24 VDC: 50 mA at rest; 110 mA active

Operating Temperature

- 32° to 110°F [0° to 43°C]
- Indoor use

Endurance

- 1 million cycles

Shipping Weight

- 1.5lbs [0.68kg]

How to Order

Model Series	Output
DK-38	W
DK-38 Keypad	W Wiegand Output

Need an Outdoor Solution?

WCC and WBB allow Securitron DK-38 to be mounted in outdoor locations not directly exposed to rain or snow.



WCC



WBB

Ordered Separately

Securitron® R100 Wireless Reader and Aperio® Hub

Surface mounted—no drilling



The Securitron R100 surface mounted wireless reader with Aperio technology offers an elegant way to extend access control to glass, stone, granite or marble entryways.

Installation is easy, requiring no drilling or pulling of wires and can adhere in minutes. A complement to ASSA ABLOY electrified locking devices, including electromagnetic locks, electrified strikes, electric locks and electrified exit devices, glass and other aesthetically demanding entryways can now integrate robust access control while maintaining a clean, wireless appearance.

Features

Standard Features

- Adheres to glass and other surfaces without any connecting wires
- Online transaction audit trail capability
- Low battery signaling and reporting
- Green status LED indicator
- Shortened wire pull from panel to hub provides cost benefit in installation
- Fully-encrypted AES 128 wireless communication
- SecuriCare three-year, no-fault, no questions asked warranty

Optional Features

- iCLASS (SE) or Prox (PA) card technology

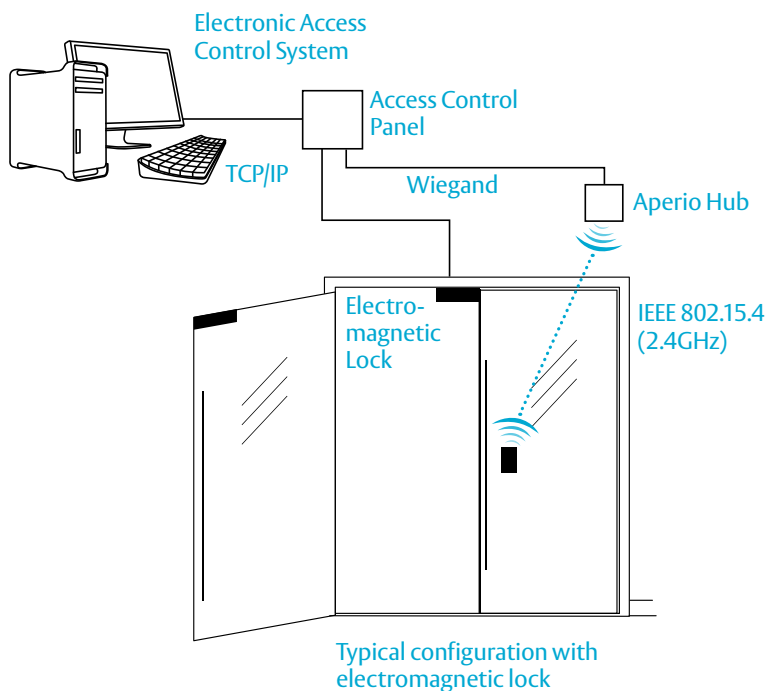
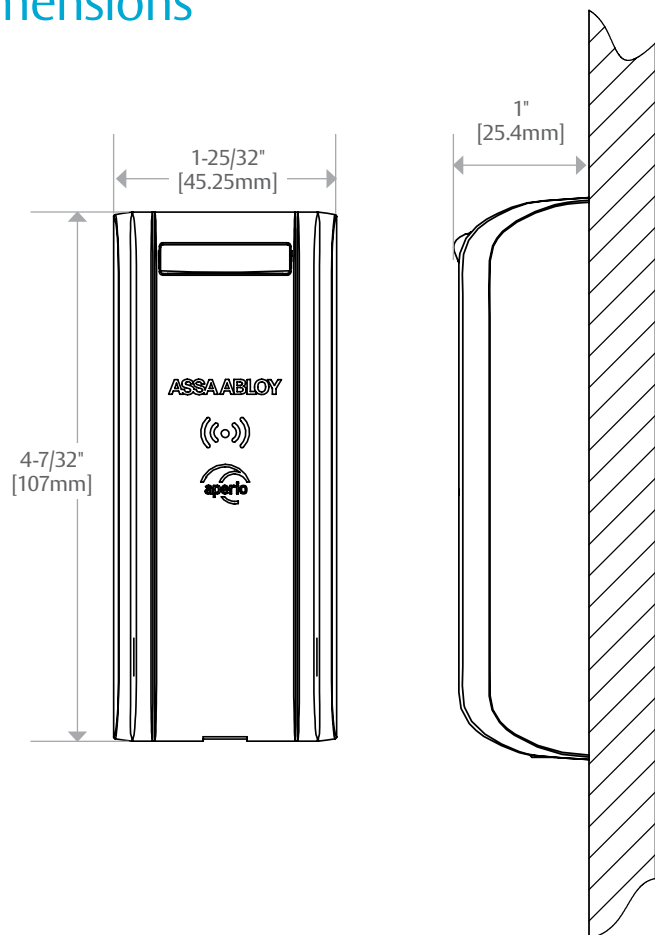


NOTE: The Securitron R100 card reader is available as either a pre-paired reader and hub kit (no certification required) or as a field configurable component (requires Aperio® Certified Integrator certification). Pre-paired kits support limited features, field configured devices are required in order to support all options. Visit IntelligentOpenings.com to learn more.



Securitron R100 Wireless Reader and Aperio Hub

Dimensions



Local wireless communication eliminates the cost and inconvenience of wiring in and around the door, without the hassle of complex site surveys.

Specifications

Certifications

- FCC Part 15
- IC Compliant

Electrical

- 40,000 cycles
- (1) 3V CR2 lithium battery (included)
- Low battery signaling and reporting

Operating Temperature

- -40° to 122°F [-40° to 50°C]
- Indoor or outdoor use

Shipping Weight

- 2.83oz [80g]

Card Technology

- **High Frequency (13.56 MHz)**
 - HID iCLASS®
 - HID iCLASS SE® (SIO-enabled)
 - HID iCLASS® Seos®
 - ISO 14443b UID
 - MIFARE Classic™
 - MIFARE Plus™
 - MIFARE DESfire™ EV1
 - MIFARE DESfire™ SE
- **Low Frequency (125 kHz)**
 - HID® Prox
 - EM Prox
 - AWID Prox
- **NFC-enabled Mobile Phones**

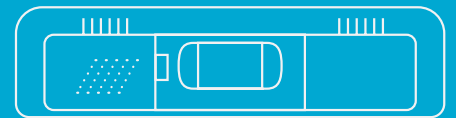
How to Order

Series	Model	Card Technology
R100	- 1H	- SE
R100 Aperio Wireless Reader	1H Factory Paired*	PA HID 125 KHe Prox
		SE HID 1356 MHz iClass SE

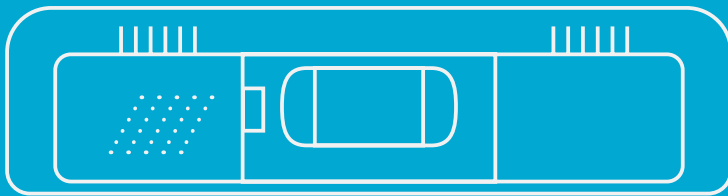
*Kit includes wireless reader paired with Wiegand 1:1 wireless hub



Push Buttons & Egress Devices



12  24



Securitron® XMS Exit Motion Sensor



*Versatile motion detection
for hands-free exit request*

The Securitron XMS passive infrared (PIR) motion sensor request to exit (REX) device reliably detects motion near a door and releases its lock.

Versatile mounting options and an easily adjustable infrared beam pattern provide optimal coverage of the egress area for smooth, hands-free lock release and exit.

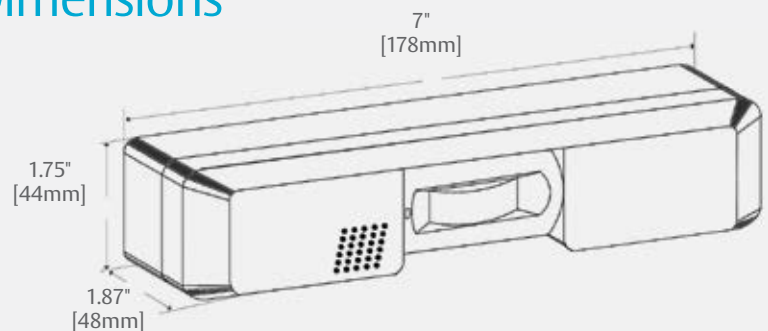
SAFETY NOTE: ASSA ABLOY Electronic Security Hardware recommends that an emergency exit button, such as the Securitron EEB, be used in conjunction with the Securitron XMS to meet applicable building codes and specific life safety issues.

Features

Standard Features

- Passive infrared (PIR) request to exit (REX) device
- Automatically and reliably cuts power to the lock with no human intervention
- REX output
- Easily adjustable beam pattern
- Adjustable time relock
- MagnaCare® lifetime replacement, no-fault, no questions asked warranty

Dimensions



Specifications

Operation

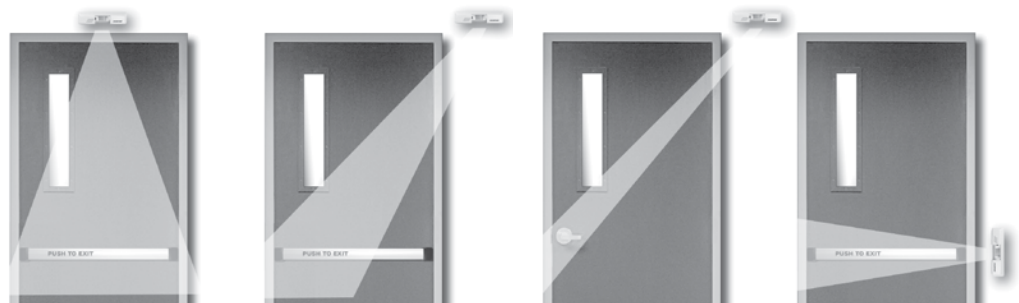
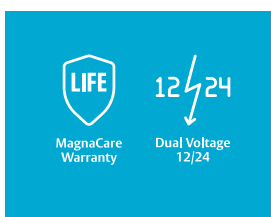
- Indoor use only

Electrical

- 20 mA-50 mA (depending on switching status) at 12 or 24 VDC

Shipping Weight

- 0.5 lbs [0.23kg]



Securitron® EEB Emergency Exit Button

Redundant backup
ensures safe egress



Install the Securitron EEB Emergency Exit Button next to the door to provide additional safety and redundancy as required by code when using a motion detector for a request to exit device.

NOTE: ASSA ABLOY Electronic Security Hardware's UL294 certification indicates that when the Securitron EEB is used with the Securitron XMS Motion Sensor, it meets the NFPA Life Safety Code 101 requirements for exit of access-controlled egress doors.

Features

Standard Features

- Backup device in case of exit sensor failure per BOCA, NFPA, IBC, and VBC code
- Momentarily pressing the button releases the door for 30-seconds
- Re-triggerable for added 30-second release
- Interchangeable green and red lenses included standard
- MagnaCare® lifetime replacement, no-fault, no questions asked warranty

Optional Features

- Single gang
- Narrow stile
- EEB2 includes standard lenses plus blue ADA lens
- Illumination kits

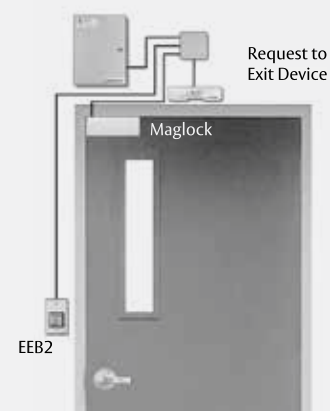
Specifications

Certifications (EEB2, EEB3N only)

- CSA-C22.2 No.205 Listed
- CSFM—California State Fire Marshal

Electrical

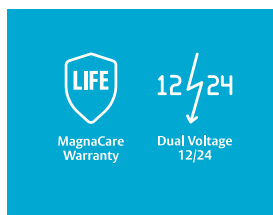
- 226 mA peak at 12 VDC
- 118 mA peak at 24 VDC
- 3A SPDT N/C Relay



How to Order

Model Series	LED Lens Color	Mounting Method
EEB	3	N
EEB Push Buttons	2 Green/ Red/ Handicap	(blank) Single Gang
	3 Green/Red	N Narrow Gang

NOTE: Not every combination above is possible. Please contact the factory if you need a combination of features not listed on this page



Securitron® PB Series Push Buttons

Medium round illuminated push buttons



High quality Securitron Push Buttons are available in a broad selection of colors, sizes, switch types and outputs.

With a wide range of options for interchangeable lenses and field convertible outputs, Securitron push buttons can release any lock, alone or in conjunction with door closers and other hardware.

Features

Standard Features

- Includes interchangeable green and red lenses
- Red LED on plate
- Stainless steel single gang plate: 4-1/2" x 2-3/4" [114mm x 70mm]
- Field selectable 12 or 24VDC
- MagnaCare® lifetime replacement, no-fault, no questions asked warranty

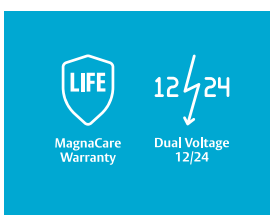
Specifications

Electrical

- 5 mA at 12 or 24VDC
- 7A rated DPST contacts

How to Order

Model Series	Switch Type
PB	A
PB Push Button	(blank) Momentary Switch
	A Alternate Switch



Securitron® PB2 Series Push Buttons

Large square illuminated
push buttons



High quality Securitron Push Buttons are available in a broad selection of colors, sizes, switch types and outputs.

With a wide range of options for interchangeable lenses and field convertible outputs, Securitron push buttons can release any lock, alone or in conjunction with door closers and other hardware.

Features

Standard Features

- Easy to read 2" size
- Includes interchangeable green, red and blue ADA lenses
- Field selectable 12 or 24VDC
- MagnaCare® lifetime replacement, no-fault, no questions asked warranty

Optional Features

- Standard or Illuminated
- Single Pole-Double Throw
- Double Pole-Double Throw
- Red LED on plate

Specifications

Dimensions

- Stainless steel single gang plate: 4-1/2" x 2-3/4" [114mm x 70mm]

Electrical

- 29 mA at 12 VDC
- 40 mA at 24 VDC
- 5A rated SPDT relay
- PB22 5A rated DPDT relay

How to Order

Model Series	Illumination	Switch Pull / Throw
PB2		2
PB2 Push Button	(blank) Illuminated	(blank) Single Pole, Double Throw
	E Non-Illuminated	2 DPDT— Double Pole, Double Throw

NOTE: Not every combination above is possible. Please contact the factory if you need a combination of features not listed on this page.



MagnaCare
Warranty



Dual Voltage
12/24

Securitron® PB3 Series Push Buttons

Assorted sizes and colors
with a uniform look



High quality Securitron Push Buttons are available in a broad selection of colors, sizes, switch types and outputs.

With a wide range of options for interchangeable lenses and field convertible outputs, Securitron push buttons can release any lock, alone or in conjunction with door closers and other hardware.

Features

Standard Features

- Includes interchangeable green and red lenses
- Field convertible from DPST to DPDT
- Field selectable 12/24VDC
- MagnaCare® lifetime replacement, no-fault, no questions asked warranty

Optional Features

- Red LED on plate; for no LED select (E)
- Momentary or for Alternate select (A)
- Illumination Light Kit (LK)

Specifications

Dimensions

- Stainless steel single gang plate: 4-1/2" x 2-3/4" [114mm x 70mm]
- Stainless steel narrow stile plate: 4-1/2" x 1-3/4" [114mm x 44mm]
- Black plastic surface mount: 3-7/8" x 2" [98mm x 51mm]

Electrical

- 29 mA at 12 VDC
- 40 mA at 24 VDC
- 3A rated contacts

How to Order

Model Series	Illumination	Switch Type	Mounting Method
PB3	E	A	N
PB3 Push Button	(blank) Illuminated	(blank) Momentary Switch	(blank) Single Gang
	E Non-Illuminated	A Alternate Switch	2 Double Gang
			N Narrow Gang
			R Remote, Surface Mount



MagnaCare
Warranty



Dual Voltage
12/24

Securitron® PB4L Series Push Buttons

*Stainless push button
with illuminated halo*



High quality Securitron Push Buttons are available in a broad selection of colors, sizes, switch types and outputs.

With a wide range of options for interchangeable lenses and field convertible outputs, Securitron push buttons can release any lock, alone or in conjunction with door closers and other hardware.

Features

Standard Features

- Illuminated green halo-style button
- Bi-color LED
- Tamper resistant
- MagnaCare® lifetime replacement, no-fault, no questions asked warranty

Specifications

Dimensions

- Stainless steel single gang plate: 4-1/2" x 2-3/4" [114mm x 70mm]
- Stainless steel narrow stile plate: 4-1/2" x 1-3/4" [114mm x 44mm]

Electrical

- 20 mA at 12 VDC
- 40 mA at 24 VDC
- 4A rated contacts

How to Order

Model Series	Switch Type	Mounting Method	Switch Pull / Throw
PB4L	A	N	-2
PB4L Push Button	(blank) Momentary Switch A Alternate Switch	(blank) Single Gang N Narrow Gang	2 DPDT— Double Pole, Double Throw



MagnaCare
Warranty



Dual Voltage
12/24

Securitron® PB5 Series Push Buttons

Medium round, illuminated
push button



High quality Securitron Push Buttons are available in a broad selection of colors, sizes, switch types and outputs.

With a wide range of options for interchangeable lenses and field convertible outputs, Securitron push buttons can release any lock, alone or in conjunction with door closers and other hardware.

Features

Standard Features

- Includes interchangeable green, red and blue ADA lenses
- Field convertible from DPST to DPDT
- Field selectable 12/24VDC
- MagnaCare® lifetime replacement, no-fault, no questions asked warranty

Specifications

Dimensions

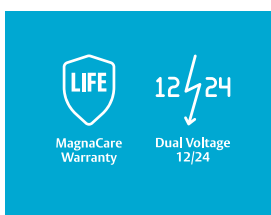
- Stainless steel single gang plate: 4-1/2" x 2-3/4" [114mm x 70mm]

Electrical

- 9 mA at 12 VDC
- 20 mA at 24 VDC
- 5A rated contacts

How to Order

Model Series	Illumination
PB5	E
PB5 Push Button	(blank) Illuminated
	E Non-Illuminated



Push Button Selector Chart

	Waterproof	Single Gang	Narrow Stile	Surface	Green Button	Red Button	Blue Button	Steel Button	Illuminated	Momentary	Alternate	DPST	DPDT	SPDT	LED Color	Required Box Clearance
PB	●	●			●	●			●	●		●			R	1-3/4" [44.5mm]
PBA	●	●			●	●			●		●	●			R	1-3/4" [44.5mm]
PB2		●			●	●	●		●	●				●	R	2" [51mm]
PB22		●			●	●	●		●	●			●		R	2" [51mm]
PB2E		●			●	●	●		●					●		2" [51mm]
PB3		●			●	●			●	●		●	*		R	1-1/2" [38mm]
PB3A		●			●	●			●		●	●	*		R	1-1/2" [38mm]
PB3AN			●		●	●			●		●	●	*		R	1-1/2" [38mm]
PB3E		●			●	●			●			●	*			1-3/8" [35mm]
PB3ER				●	●	●			●			●	*			SURFACE MOUNT
PB3EAR				●	●	●					●	●	*			SURFACE MOUNT
PB3EA		●			●	●					●	●	*			1-3/8" [35mm]
PB3EAN			●		●	●					●	●	*			1-3/8" [35mm]
PB3EN			●		●	●			●			●	*			1-3/8" [35mm]
PB3N			●		●	●			●	●		●	*		R	1-3/8" [35mm]
PB4L-2		●						●	●	●					BI-C	1-3/4" [44.5mm]
PB4LA-2		●						●	●		●				BI-C	1-3/4" [44.5mm]
PB4LN-2			●					●	●	●					BI-C	1-3/4" [44.5mm]
PB4LAN-2			●					●	●		●				BI-C	1-3/4" [44.5mm]
PB5		●			●	●	●		●	●		●	*			2" [51mm]
PB5E		●			●	●	●		●			●	*			2" [51mm]
EEB2		●			●	●	●									2" [51mm]
EEB3N			●		●	●										1-1/2" [38mm]

*All PB3 and PB5 Series can be field converted from DPST to DPDT. PB4 Series feature bi-colored LEDs.

Push Button Accessories



WCC



WBB

WCC and WBB weatherize any single gang push button to permit mounting in outdoor locations not directly exposed to rain or snow



PB2-LK



PB3-LK

PB2-LK - Illumination kit for PB2E, PB5E & EEB2
 PB3-LK - Illumination kit for PB3E, PB3EN & EEB3N Series

Keyswitch Selection Guide

	Single Gang	Narrow Stile	Double Gang	Tubular Key	Momentary	Alternate	SPDT	DPDT
KP1	●			●	●		●	
KP1A	●			●		●	●	
MK	●				●		●	
MK2	●				●			●
MKA	●					●	●	
MKA2	●					●	●	●
MKAN		●				●	●	
MKAN2		●				●		●
MKN		●			●		●	
MKN2		●			●			●
MKPZ			●		●		●	
MKAPZ			●			●	●	
MK ACCESSORIES								
MKS					●		●	
MKS2					●			●
MKSA						●	●	
MKSA2						●		●
MKC	●	●	●					
MKC-KA	●	●	●					

Single Pole – Single Throw (SPST)

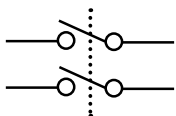
Switches that have one input and one output (NO or NC) and turn on or off in response to the switch action

Single Pole – Double Throw (SPDT)

Switches with one input and two outputs. When the switch operation occurs, the connection shifts from output A to output B

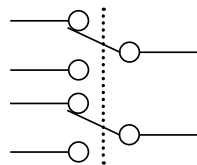
Double Pole – Single Throw (DPST)

Two SPST switches that operate in tandem using one switch operation so that two outputs turn on or off simultaneously in reaction to the switch operation



Double Pole – Double Throw (DPDT)

Two SPDT switches that operate in tandem using one switch operation so that each connection shifts simultaneously from its primary output to its secondary output



Momentary Switch

A momentary switch changes state during activation and reverts to its original state upon deactivation. A doorbell is a common example of a momentary switch. A timer can be used to extend the effect of the switch operation for a specific amount of time.

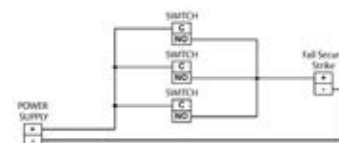
Alternate Switch

An alternate switch changes state upon activation and does not change back until reactivated. A light switch is a common example of an alternate switch. Alternate switches are also called maintained or latching switches

Normally Open Contacts (NO)

A normally open contact provides an open circuit where no current is flowing in its usual state.

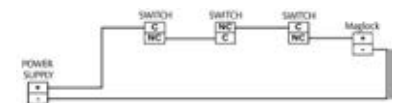
Wired in parallel for fail secure type electric locks (i.e. electric strike). Activating any switch will apply power, releasing the lock.



Normally Closed Contacts (NC)

A normally closed contact provides a closed circuit where current is flowing in its usual state.

Wired in Series for fail safe type electric locks (i.e. Securitron Magnalocks). Activating any switch will break power, releasing the lock.



Securitron[®] MK Mortise Keyswitch

*Turns standard mortise cylinder
into full featured keyswitch*



The Securitron MK Mortise Keyswitch supports electric lock control, alarm panel arming, reset and override when paired with any mortise cylinder 1-1/8" to 1-1/2".

Features

Standard Features

- 12 or 24 VDC
- Bi-color LED
- Backing bracket permits integration with any 1-1/4" [32mm] or 1-1/8" [28mm] mortise cylinder (not included)
- Support for 1-1/2" [38mm] cylinder using spacer ring and backset
- Additional switch position on backing bracket allows another switch to be activated by turning the key in the opposite direction
- 5A rated plunger switch
- Includes anti-tamper screws
- MagnaCare[®] lifetime replacement, no-fault, no questions asked warranty

Optional Features

- Momentary or Alternate
- SPDT or DPDT relay
- Narrow Stile, Single- or Double-Gang
- Local annunciation via Piezo sounder
- Additional switch add on
- 1-1/8" [28.5mm] Key Cylinder, 26D Finish, SC keyway

How to Order

Model Series	Switch Type	Mounting Method	Switch/Sounder
MK	A	N	2
MK Mortise Key Switch	(blank) Momentary Switch A Alternate Switch	(blank) Single Gang 2 Double Gang N Narrow Gang	P Piezo Sounder 2 DPDT — Double Pole, Double Throw

NOTE: Not every combination above is possible. Please contact the factory if you need a combination of features not listed on this page.



12/24

MagnaCare
Warranty

Dual Voltage
12/24

Securitron[®] KP1 Tubular Keyswitch

Simple solution for exit, door release, manual override or reset



The Securitron KP1 Keyswitch supports electric lock control; alarm panel arming, reset and override when paired with any tubular cylinder 1-1/8" to 1-1/2".

Features

Standard Features

- Stainless steel face plates
- 12/24 VD bi-color LED tubular style keyswitches
- Momentarily turning the key changes the state of the contacts
- Includes anti-tamper screws
- Includes two keys
- MagnaCare[®] lifetime replacement, no-fault, no questions asked warranty

Optional Features

- Momentary or Alternate

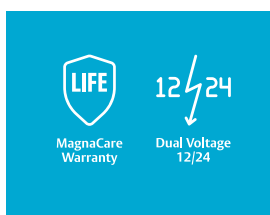
Specifications

Electrical

- 7A rated SPDT switch
- 40mA at 12 or 24VDC

How to Order

Model Series	Switch Type
KP1	A
KP1 Tubular Key Switch	(blank) Momentary Switch
	A Alternate Switch



Securiton® WSS Wave Sense® Switch

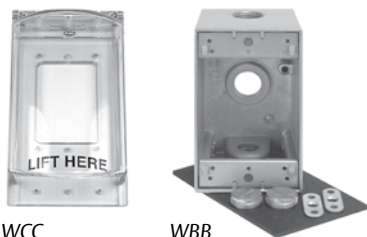
No-touch switch for
hands-free activation



A new class of motion sensing technology for hands-free, contactless switch activation.

Use for request to exit (REX), activation or on/off switching to trigger a variety of access control devices in place of a push plate or push button.

Need an Outdoor Solution?



WCC and WBB allow the Securiton Wave Sense Switch to be mounted in outdoor locations not directly exposed to rain or snow

Features

Standard Features

- Active microwave motion sensing using Doppler radar that is more reliable than infrared sensors
- Adjustable sensing zone from 4" to 24" (102mm to 610mm) helps screen out incidental traffic
- FCC certified for use in general and medical environments
- Touchless activation for hands-free operation, reduces transmission of germs
- Pulse mode to initiate action or toggle mode to provide on/off switch
- Mounting ring included or install in standard plastic or metal gang box
- Water-resistant foam gasket included
- MagnaCare® lifetime replacement, no-fault, no questions asked warranty

Optional Features

- Weather-resistant cover
- Weather-resistant backbox
- Offered in a single-gang or double-gang model

Specifications

Certifications

- Electromagnetic compatibility to 2004/108/EC
- FCC: G9B-MS08 and IC: 4680A-MS08

Dimensions

- Single gang faceplate 4-1/2" x 2-3/4" [114mm x 70mm]
- Double gang faceplate 4-1/2" x 4-1/2" [114mm x 114mm]

Electrical

- Self-sensing 12 or 24V DC or AC input ($\pm 10\%$)

Maximum Power Consumption

- Less than 1.5W (125 mA at 12 VDC) 1A SPDT contact can be operated in toggle or pulse mode
- Pulse output: 0.5 seconds

Environmental

- Operating Temperature: -4° to 131°F [-20° to 55°C]
- Indoor use

Shipping Weight

- 0.5 lbs

How to Order

Model Series	Finish	Plate Size
WSS	- W	1
WSS Wave Sense Switch	W White	1 Single Gang
		2 Double Gang



MagnaCare
Warranty

12/24

Dual Voltage
12/24

Securitron® SP-1 Touch Sense® Plate

Touch Sense technology in a wall-mount request to exit plate



The Securitron SP-1 uses touch sensing technology to create a push plate with no moving parts.

For indoor use only, the unit is oversized to cover a single gang cutout. Ideal to assist with ADA compliance, the unit includes a three-part vinyl "Touch to Exit" decal. A red LED is incorporated into the backbox.

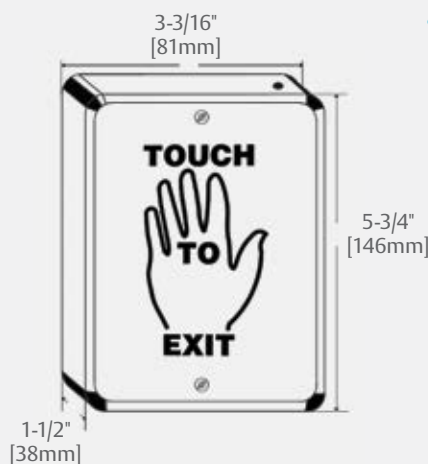


Features

Standard Features

- Internal 0-25 second timer
- Backup push button
- MagnaCare® lifetime replacement, no-fault, no questions asked warranty

Dimensions



Specifications

Electrical

- 40 mA at rest; 25 mA releasing at 12 or 24 VDC

Environmental

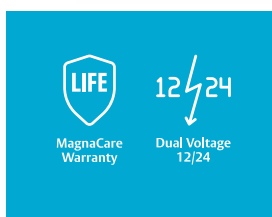
- Operating Temperature: 32° to 110°F [0° to 43°C]
- Indoor use only

Shipping Weight

- 1.5 lbs [0.68kg]

How to Order

Model Series	Label
SP-1	
SP-1 Touch Sense Plate	L Touch To Exit Label
	LH Handicap Label





MagnaCare
Warranty

MagnaCare[®] Lifetime Replacement Warranty

The Industry's Best Warranty

- **Lifetime** — We guarantee our products, and since we've been making Maglocks for over 35 years that's a promise you can trust
- **No-Fault** — For any reason, including but not limited to installation error, vandalism or act of God
- **Tomorrow** — Replacement product is shipped at Securitron's expense, next day air if needed
- **Hassle Free** — No product registration is required

At ASSA ABLOY, we pay special attention to the needs of our customers. Our 1.800.MAGLOCK sales and service support line puts you in touch with our knowledgeable and friendly team to assist you with the smallest detail, or the most difficult application, including free wiring diagrams. In 1999, Securitron introduced the first "no strings attached" warranty program called MagnaCare, because we believe quality products and quality service should be the expectation, not the exception. ASSA ABLOY Electronic Security Hardware continues this tradition on all Securitron Maglocks and many other products.

Select products are covered under ASSA ABLOY Electronic Security Hardware's other warranty programs. Full details are available at assaabloyesh.com.

Securitron[®] DSB Dual Sense[®] Bar

Dependable touch and mechanical release for superior safety and redundancy



The dependable Securitron DSB Dual Sense Bar is the most reliable exit device available for electronically locked, non-fire-rated doors.

Its unique design delivers superior fault tolerance with two independent, redundant switch circuits for releasing the lock. The Securitron DSB can be installed on all types of interior metal, aluminum or wood doors. Meets “no special tools or knowledge” criteria required by code.

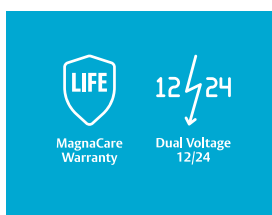
Features

Standard Features

- Redundant switches
- Release triggered by either 1/8" [3mm] mechanical movement or reliable touch sense technology
- Resistant to interference from radio frequency or electromagnetic frequency and external impact/ bounce attempts
- All metal construction
- Can be field cut to fit non-standard door widths
- 16 ft. [4.8m] 22 AWG 6 conductor cable and armored door cord included
- Resists electrostatic discharge up to 27,000 volts
- MagnaCare[®] lifetime replacement, no-fault, no questions asked warranty

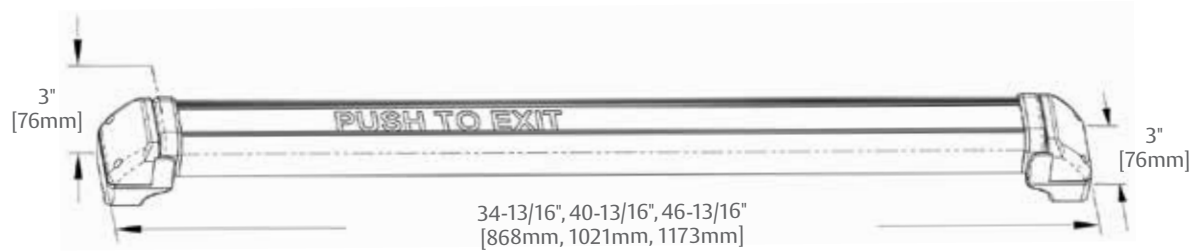
Optional Features

- **36** 36" [914mm] Length
- **42** 42" [1,067mm] Length
- **48** 48" [1,219mm] Length
- **EL** ElectroLynx[®] ready
- **I** Illuminated via fiber optics
- Through-bolt kit for doors 1-3/4" to 2-1/4" [44.5mm to 57mm] thick
- Cover plates per Securitron DSB



Securitron DSB Dual Sense® Bar

Dimensions



Specifications

Certifications

- CAN/ULC-S533 Listed
- UL 294 Listed
- CSA-C22.2 No. 205 Listed
- NFPA 101

Electrical

- Dual Sense Bar Only—
24 mA at 12 or 24 VDC
- Dual Sense Bar with Illumination—
44 mA at 12 or 24 VDC

Environmental

- Operating Temperature: 32° to 120°F [0° to 49°C]
- Indoor use only

Shipping Weight

- 6 lbs [2.72kg] to 8 lbs [3.63kg]
depending on length

How to Order

Connector Style	Model Series	Finish	Illumination	Bar Length
EL	– DSB	– CL	I	42
(blank) None	DSB Dual Sense Bar	BK Black Anodized	(blank) Non Illuminated	(blank) 36" Length
EL ElectroLynx		CL Clear Anodized	I Illuminated	42" 42" Length
				48" 48" Length

NOTE: Not every combination above is possible. Please contact the factory if you need a combination of features not listed on this page.

Securitron® TSB Touch Sense® Bar

*Touch-triggered release
for reliable egress*



The Securitron TSB Touch Sense Bar provides touch-triggered release of electronically locked, non-fire-rated doors.

Touching the bar, even through light gloves or clothing, triggers an electronic sensor that releases the lock. For indoor use only, the Securitron TSB installs easily on all types of metal, aluminum or wood frame doors. Meets "no special tools or knowledge" criteria in code requirements.

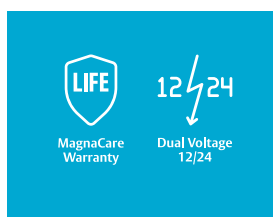
Features

Standard Features

- Can be field cut to accommodate non-standard openings up to 48" [1219mm]
- Activates a 2A DPST rated relay when touched (no mechanical movement) which will allow free egress, or initiates the delay on an exit delay timer
- Backup push button included
- 16 ft. [4.8m] 22AWG 6 conductor cable and armored door cord included
- Available ElectroLynx® ready
- MagnaCare® lifetime replacement, no-fault, no questions asked warranty

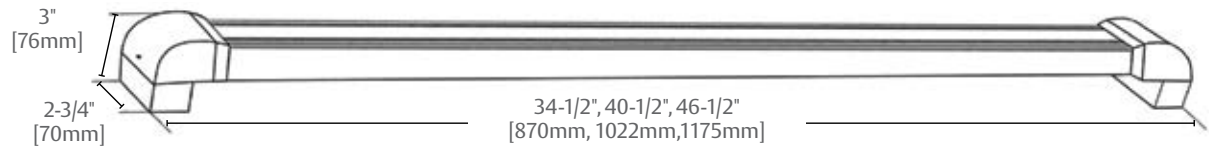
Optional Features

- **36** 36" [914mm] Length
- **42** 42" [1,067mm] Length
- **48** 48" [1,219mm] Length
- **EL** ElectroLynx® connectors
- **D** Dummy bar with no release function
- Through-bolt kit for doors up to 2-1/4" [57mm] thick (TSB-TDM)
- Cover plates for retrofit of competitor products (TCP-BK)
- Trailing edge timer



Securitron TSB Touch Sense Bar

Dimensions



Specifications

Certifications

- UL 294 Listed
- CSA-C22.2 No. 205 Listed
- CSFM—California State Fire Marshal Approved
- CE: EN 50091-1, EN 61000-6-2 Approved

Electrical

- 40 mA at rest; 25 mA releasing at 12 VDC or 24 VDC

Environmental

- Operating Temperature: 32° to 110°F [0° to 43°C]
- Indoor use

Shipping Weight

- 7 lbs [3.18kg] to 9 lbs [4.08kg] depending on length

How to Order

Connector Style	Model Series	Finish	Special Features	Bar Length
EL	– TSB	– CL	T	– 42
(blank) None	TSB Touch Sense Bar	BK Black Anodized	T Trailing Edge Timer	(blank) 36" Length
EL ElectroLynx		CL Clear Anodized		42" 42" Length
				48" 48" Length

NOTE: Not every combination above is possible. Please contact the factory if you need a combination of features not listed on this page.

Securitron® EMB Electromechanical Bar

Mechanical activation for electronic lock release in a reliable, durable exit bar



Use the Securitron Electromechanical Bar (EMB) on electronically locked, non-fire-rated doors or as an initiate device for a delayed egress timer.

Pressing the bar activates internal mechanical switches that release the lock. Optional waterproof switches are available, which allow the Securitron EMB to function in protected outdoor applications. Meets "no special tools or knowledge" criteria for code requirements.

Features

Standard Features

- Low profile design requires only 1/4" [6.35mm] movement for activation
- Can be field cut to accommodate non-standard openings up to 48" [1219mm]
- Uses same mounting pattern as the Securitron TSB and DSB
- Direct retrofit for some competitor footprints
- Mechanical action activates a DPDT relay
- 5A rated output to allow free egress or initiate an exit delay timer
- Redundant switches ensure reliable, fault-tolerant operation
- All metal construction
- 16 ft. [4.8m] 22 AWG 6 conductor cable and armored door cord included
- MagnaCare® lifetime replacement, no-fault, no questions asked warranty

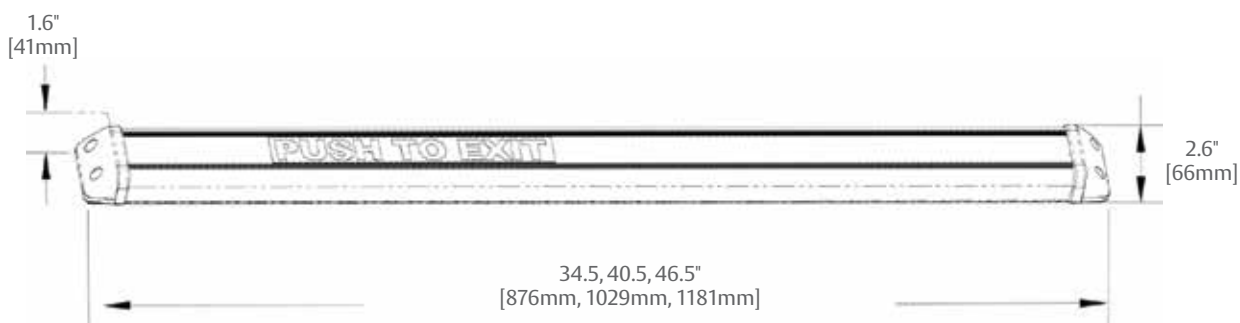
Optional Features

- **36** 36" [914mm] Length
- **42** 42" [1,067mm] Length
- **48** 48" [1,219mm] Length
- **W** Weather-resistant upgrade
- Cover plates for retrofit of competitor products (TCB-BK-CL)



Securitron EMB Electromechanical Bar

Dimensions



Specifications

Electrical

- Max current 1.5A at 30VDC

Environmental

- Operating Temperature: -4° to 185°F [-20° to 85°C]
- Indoor operation
- Optional weather-resistant switches

Shipping Weight

- 7 lbs [3.18kg] to 9 lbs [4.08kg] depending on length



TCP covers unwanted holes from previously installed exit bars, strengthens the mounting area and provides a clean look.

How to Order

Connector Style	Finish	Bar Length
EMB	- CL	- 42
EMB Electromechanical Bar	BK Black Anodized	(blank) 36" Length
WEMB Weather Resistant Electromechanical Bar	CL Clear Anodized	42" 42" Length
		48" 48" Length

NOTE: Not every combination above is possible. Please contact the factory if you need a combination of features not listed on this page.

Securitron® TSH Touch Sense® Handle

Compact push or pull egress alternative for electronic lock release



Sized to conceal existing mounting holes, the Securitron TSH Touch Sense Handle replaces standard pulls on aluminum doors to allow electronic lock release for egress.

With flexible options, it works equally well on in-swing doors or as a push-open device for out-swing doors, offering a clean look on aluminum frame glass doors.

Features

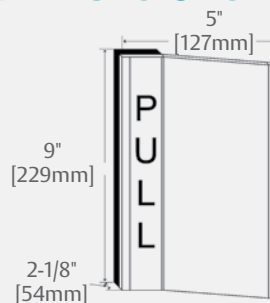
Standard Features

- For use on any push, pull or swing-through door
- Activates electronic release via 2A DPST rated relay when touched to allow free egress
- Backup push button
- 16 ft. [4.8m] 22AWG 6 conductor cable and armored door cord included
- MagnaCare® lifetime replacement, no-fault, no questions asked warranty

Optional Features

- (EL) ElectroLynx® connectors

Dimensions



Specifications

Certifications

- UL 294 Listed
- CSA-C22.2 No.205 Listed
- CSFM—California State Fire Marshal Approved
- CE: EN 50091-1, EN 61000-6-2 Approved

Electrical

- 40 mA at rest; 25 mA releasing at 12 VDC or 24 VDC

Environmental

- Operating Temperature: 32° to 110°F [0° to 43°C]
- Indoor use only

Shipping Weight

- 3 lbs [1.36kg]



How to Order

Connector Style	Model Series	Finish
EL	- TSH	- CL
(blank) None	TSH Touch Sense Handle	BK Black Anodized
EL ElectroLynx		CL Clear Anodized



MagnaCare
Warranty

12/24

Dual Voltage
12/24

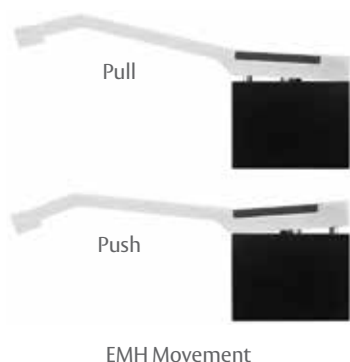
Securitron® EMH Electromechanical Handle

*Mechanical activation for
electronic lock release in
a compact handle*



The Securitron EMH Electromechanical Handle works on any push, pull or swing-through door, and is designed for specialized outdoor applications.

Pressing the handle activates internal mechanical switches that release the lock. Meets "no special tools or knowledge" criteria for code requirements.



Features

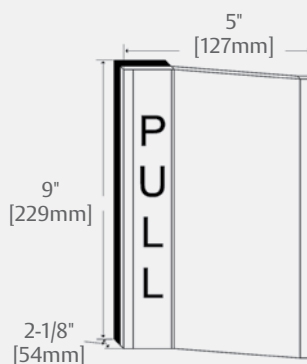
Standard Features

- Activates a 2A DPDT rated output when pushed or pulled, to allow free egress or initiate an exit delay timer
- 16 ft. [4.8m] 22AWG 3 conductor cable and armored door cord included
- MagnaCare® lifetime replacement, no-fault, no questions asked warranty

Optional Features

- (EL) ElectroLynx® connectors

Dimensions



Specifications

Certifications

- UL 294 Listed
- CSA-C22.2 No.205 Listed
- CSFM—California State Fire Marshal Approved
- CE: EN 50091-1, EN 61000-6-2 Approved

Electrical

- 40 mA at rest; 25 mA releasing at 12 or 24 VDC

Environmental

- Operating Temperature: 32° to 110°F [0° to 43°C]
- Indoor use only

Shipping Weight

- 3 lbs [1.36kg]



How to Order

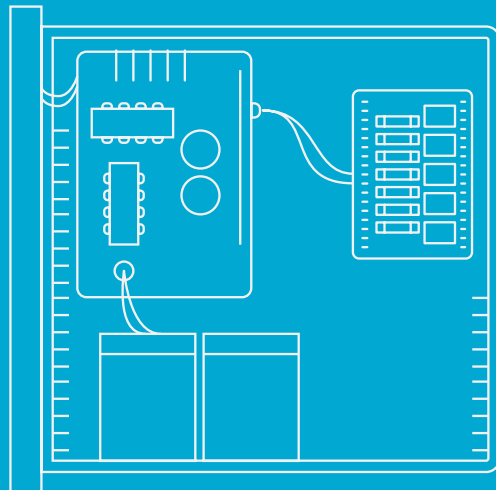
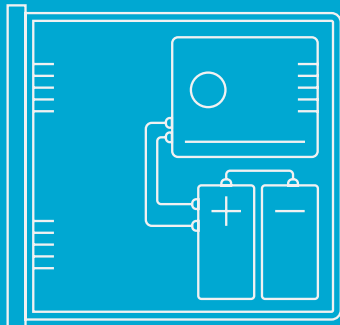
Connector Style	Model Series	Finish
EL	– EMH	– CL
(blank) None	EMH Electromechanical Handle	BK Black Anodized
EL ElectroLynx		CL Clear Anodized



MagnaCare
Warranty

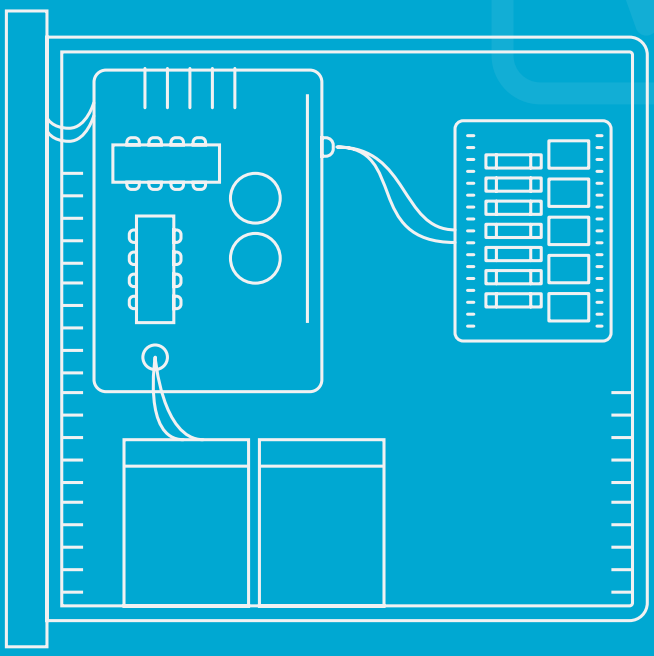
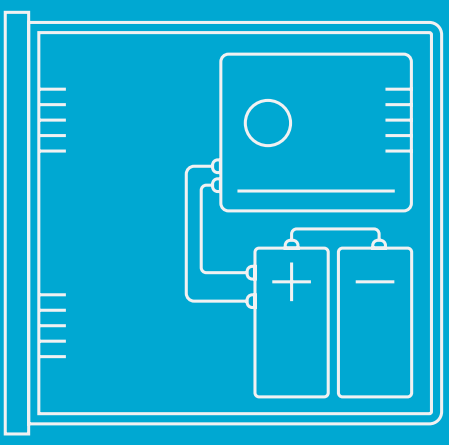


Power





12 ⚡ 24



Securitron® BPS 12/24-1 Dual Voltage Linear Power Supply

Linear power for sensitive electronics



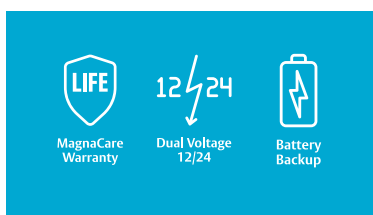
The Securitron BPS series of power supplies delivers linear technology recommended by most manufacturers of sensitive electronic access control and security components.

Safe for use with readers, electric strikes, and maglocks, these units interface to fire alarm systems and provide battery backup. The Securitron BPS-12/24-1 is UL Class 2 listed.

Features

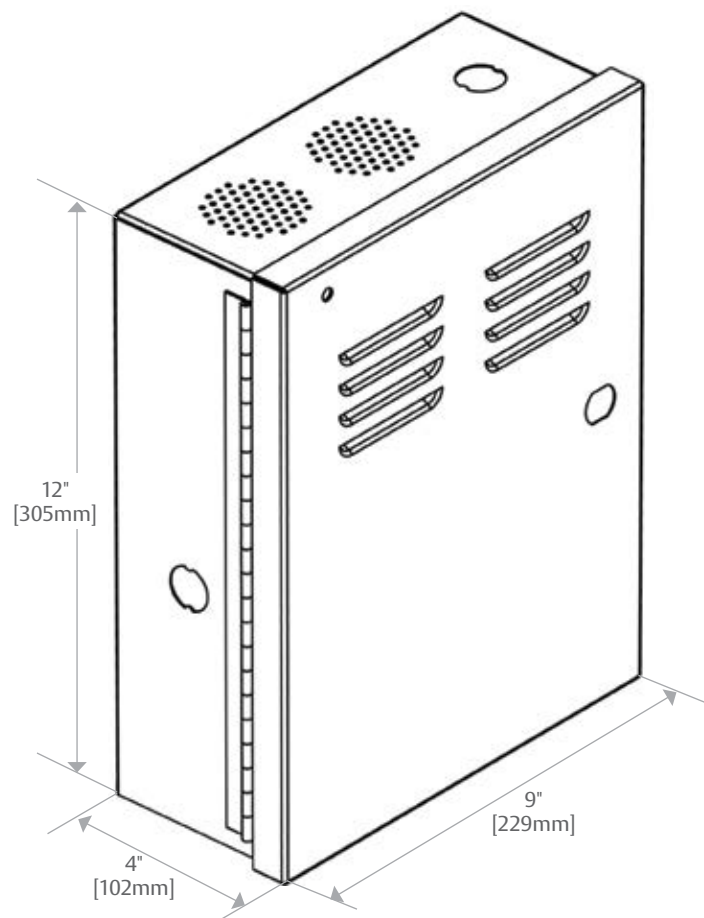
Standard Features

- Dual voltage, field selectable 12 or 24 VDC via clearly marked toggle switch
- Supplies 1 full amp continuous current output, even while charging back-up batteries
- Linear regulated power supply provides the cleanest power available
- UL Class 2 power limited output
- SPDT AC monitoring output allows for remote monitoring of the power supply's 110 VAC input
- External LED indicator (AC and DC) easily determines power status
- UL Listed, low-current fire alarm disconnect requires only a minimum size fire alarm relay and wire gauge
- Polyswitch 2A breaker allows for large short duration inrush current if batteries are installed (approx. 20A for 1 second)
- Line voltage and DC fuses
- Sealed lead acid or gel battery charging capability (battery sold separately)
- MagnaCare® lifetime replacement, no-fault, no questions asked warranty



Securitron BPS 12/24-1 Dual Voltage Linear Power Supply

Dimensions



Specifications

Certifications

- UL Listed

Electrical

- 12V/24V selector switch
- Input Voltage: 120 VAC
- Output Current: 1A at 12 VDC or 24 VDC

Operating Temperature

- 32° to 105°F [0 to 40°C]

Shipping Weight

- 9 lbs [4.08kg]

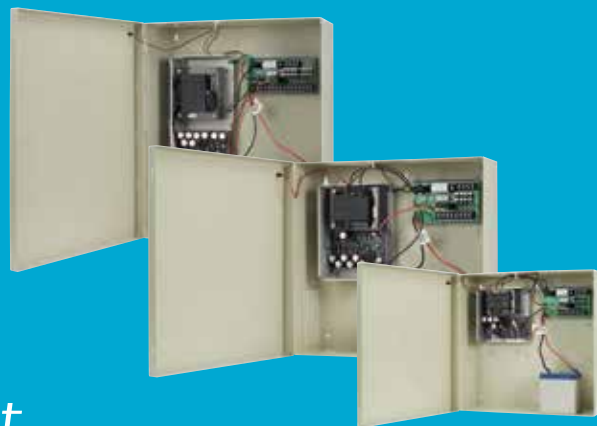
Part Number | Description

BPS-12/24-1

Dual Voltage Power
Supply—12/24 VDC, 1A

Securitron® BPS Linear Power Supply

12 VDC or 24 VDC linear output
for high performance



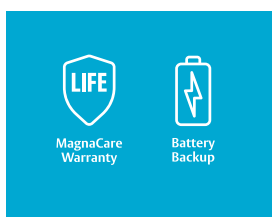
The Securitron BPS series single voltage power supplies deliver linear technology recommended by most manufacturers of sensitive electronic access control and security components.

Safe for use with readers, electric strikes, and maglocks, these units interface to fire alarm systems and provide battery backup. The Securitron BPS power supplies provide 12 VDC or 24 VDC output with a variety of amp sizes that support small or large power needs.

Features

Standard Features

- 1, 4 or 8 outputs protected with polyswitch (PTC) 2A circuit breakers
- LEDs provide an easy-to-read voltage indicator for output zone status (voltage, no voltage)
- Slide switches connect or disconnect load from power (excludes 1A)
- Battery charging and backup capability (battery sold separately)
- Rugged steel enclosure
- Fire alarm relay connection for release of all devices upon fire alarm activation
- Clean linear power for flawless operation with all sensitive active electronic components
- MagnaCare® lifetime replacement, no-fault, no questions asked warranty



Securitron BPS Linear Power Supply

Dimensions

12 VDC	Capacity	24 VDC	Capacity	Cabinet Size	Outputs
BPS-12-1	1A	BPS-24-1	1A	12" x 9" x 4" [305mm x 229mm x 102mm]	1
BPS-12-3	3A	BPS-24-2	2A	14" x 14" x 4" [305mm x 356mm x 102mm]	4
BPS-12-45	4.5A	BPS-24-3	3A	14" x 14" x 4" [305mm x 356mm x 102mm]	4
BPS-12-6	6A	BPS-24-4	4A	15" x 18" x 6" [381mm x 457mm x 152mm]	8
BPS-12-9	9A	BPS-24-6	6A	15" x 18" x 6" [381mm x 457mm x 152mm]	8
BPS-12-15	15A	BPS-24-10	10A	15" x 18" x 6" [381mm x 457mm x 152mm]	8

Specifications

Certifications

- UL 294 Listed
- CSA-C22.2 No.205 Listed
- MEA—City of New York Approved

Electrical

- Input Voltage: 120 VAC

Environmental

- Operating Temperature: 32° to 105°F [0 to 40°C]

Shipping Weight

- BPS-12-1, BPS-24-1: 9 lbs [4.08kg]
- BPS-12-3, BPS-24-2: 15 lbs [6.80kg]
- BPS-12-45, BPS-24-3: 18 lbs [8.16kg]
- BPS-12-6, BPS-24-4: 24 lbs [10.89kg]
- BPS-12-9, BPS-24-6: 28 lbs [12.70kg]
- BPS-12-15, BPS-24-10: 33 lbs [14.97kg]

How to Order

Model Series	Monitoring Options	Voltage	Output Power
BPS	M	- 24	- X
BPS	(blank) No Monitoring	12 12VDC	X Output in Amps
	M PSM Monitoring	24 24VDC	

Securitron® BPSM Self-Monitoring Power Supply

*Clean linear output with
built-in supervision*



The Securitron BPSM self-monitoring power supply delivers all the benefits of linear technology with battery supervision for real-time power status information.

This unit is the right choice when interfacing to fire alarm systems with auxiliary relays that can't handle the full current potential of the power supply, or when monitoring power systems for AC failure or DC battery failure. Securitron BPSM status LED indicators and status output terminals offer advanced protection.

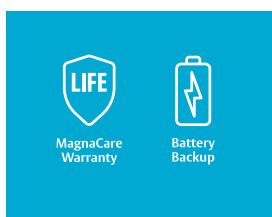
Features

Standard Features

- Polyswitch (PTC) 2A output breakers protect 8 outputs
- Easy-to-use slide switches connect or disconnect load from power
- LED indicators (AC and DC) provide easy-to-read visual status of power supply
- Emergency low-current, fire-release terminals
- AC status output terminals provide real time status information, SPDT, 3A
- Battery status output terminals supply real time information, Form "C" SPDT, 3A
- Line voltage and DC fuses
- Sealed lead acid or gel battery charging capability (battery sold separately)
- Automatic battery disconnect to prevents deep discharge
- Clean linear power delivers flawless operation with all sensitive active electronic components
- MagnaCare® lifetime replacement, no-fault, no questions asked warranty

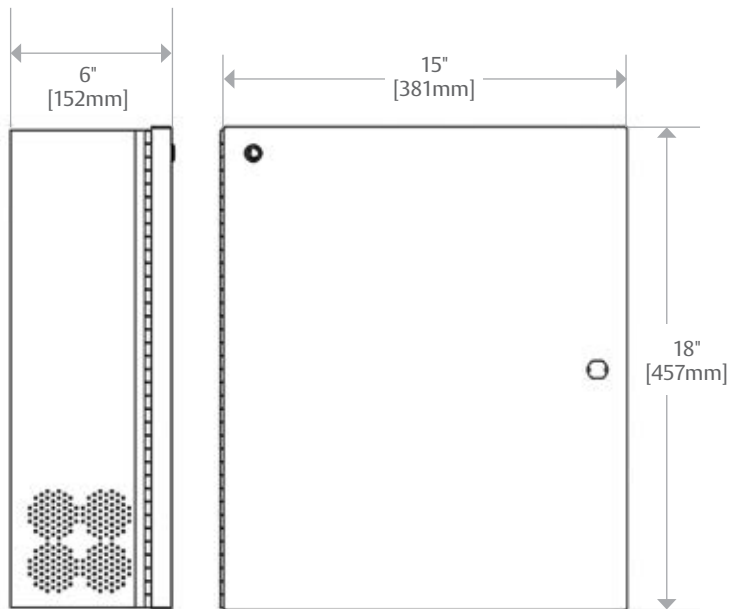
Optional Features

- **Output Current**
 - 6A at 12 VDC
 - 9A at 12 VDC
 - 15A at 12 VDC
 - 4A at 24 VDC
 - 6A at 24 VDC



Securitron BPSM Self Monitoring Power Supply

Dimensions



Specifications

Certifications

- ANSI/UL 294 Listed
- CSA-C22.2 No.205 Listed

Electrical

- Input Voltage: 120 VAC
- Voltage and Capacity
 - 12 VDC - 6A, 9A, 15A
 - 24 VDC - 4A, 6A, 10A
- Monitoring: 110 VAC Status, Battery Status

Environmental

- Operating Temperature: 32° to 105°F [0 to 40°C]

Shipping Weight

- BPSM-12-6, BPS-24-4: 24 lbs [10.89kg]
- BPSM-12-9, BPS-24-6: 28 lbs [12.70kg]
- BPSM-12-15, BPS-24-10: 33 lbs [14.97kg]

How to Order

Model Series	Monitoring Options	Voltage	Output Power
BPS	M	- 24	- X
BPS	(blank) No Monitoring	12 12VDC	X Output in Amps
	M PSM Monitoring	24 24VDC	

Securitron® PSM Power Supply Monitor

Add-on monitoring for BPS



The Securitron PSM Series works with most Securitron BPS power supplies when real-time power and battery status information is critical.

Compatible with all Securitron BPS supplies of two amps or more, the securitron PSM acts as a power supply alarm system, monitoring all key functions and reporting any trouble. This unit constantly monitors its output voltage to ensure it remains within tight limits for proper float charging of the battery pack.

Features

Standard Features

- Monitors and reports the status of the power supply system's output voltage
- Load tests and reports on the battery pack every 8 hours
- Audio and visual alarm
- Monitors/tests DC output of power supply load
- Available for both 12V and 24 VDC systems
- MagnaCare® lifetime replacement, no-fault, no questions asked warranty

Optional Features

- **PSM-12:** 3A or greater at 12 VDC
 - BPS-12-3
 - BPS-12-45
 - BPS-12-6
 - BPS-12-9
 - BPS-12-15
- **PSM-24:** 2A or greater at 24 VDC
 - BPS-24-2
 - BPS-24-3
 - BPS-24-4
 - BPS-24-6
 - BPS-24-10

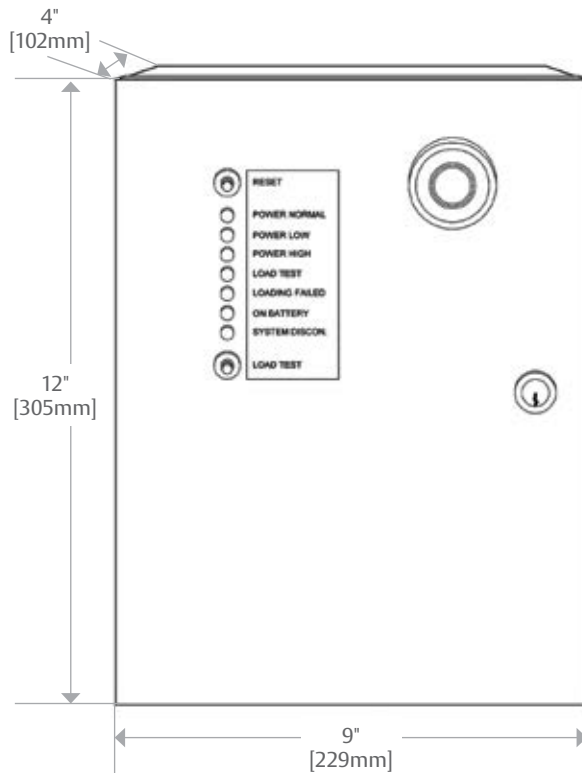
Part Number | Description

PSM-12	Power Supply Monitor—12 VDC
PSM-24	Power Supply Monitor—24 VDC



Securitron PSM Power Supply Monitor

Dimensions



Specifications

Electrical

- Voltage: VDC power from corresponding power supply
- Current Draw
 - 250 mA at 12 VDC
 - 200 mA at 24 VDC

Environmental

- Operating Temperature: 32° to 105°F [0 to 40°C]

Shipping Weight

- 5 lbs [2.27kg]

Securitron® FAR Fire Alarm Reset

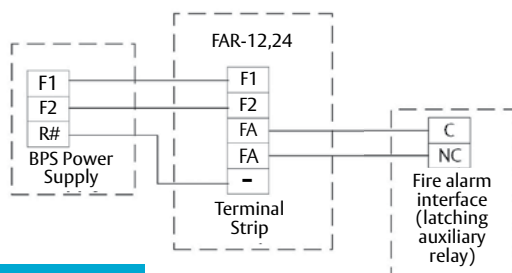
Manual door lock power reset
for code compliance



Provides functionality beyond a standard fire trigger relay when local code requires manual reset after a fire alarm.

This self-contained unit interfaces to a fire alarm unit to cut power to devices downstream of the power supply in an alarm situation. The power stays off until the Securitron FAR's Keyswitch is manually reset. This feature is required by some jurisdictions to prevent the unintentional re-arming of doors until the fire alarm is reset and power is restored to the access control system during an ongoing emergency.

Securitron FAR shown with BPS and Fire Alarm

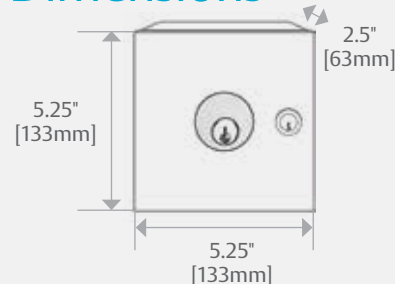


Features

Standard Features

- Key switch for manual reset capability where required by code
- Enables manual cut-off of power for testing and other emergency situations
- Simple bi-color, LED status indicator for easy-to-read power status
- Easy-to-mount metal enclosure equipped with security cam lock
- CFAR version available to meet Canadian fire release requirements
- Select 12 VDC unit or 24 VDC unit to match power supply output voltage
- 5A-rated SPDT plunger switches
- MagnaCare® lifetime replacement, no-fault, no questions asked warranty

Dimensions



Part Number | Description

FAR-12	Fire Alarm Reset Control—12 VDC
FAR-24	Fire Alarm Reset Control—24 VDC

Specifications

Certifications

- UL 634 Listed
- ULC/ORD—C634 Listed

Dimensions

- Contact: 3/4"H x 4-1/4"L x 3/4"D [19mm H x 101mm L x 19mm D]
- Switch: 1-1/2"H x 4-1/4"L x 3/4"D [38mm H x 108mm L x 19mm D]

Electrical

- Main Output: SPDT at max of 125 mA at 24 VDC; 250 mA at 12 VDC
- Tamper Output: Closed when secure; open to alarm—1A max current

Environmental

- Operating Temperature: -40° to 150°F [-40° to 65°C]

Shipping Weight

- 1.5 lbs [0.68 kg]



Securitron BPS Linear Power Supply Selection Guide

Model	Input Voltage	Output Voltage	Output Current	Battery Charger	UL Listed	# of Outputs	AC Loss and Low Battery Status	Fire Alarm Reset Option
BPS-12/24-1	120 VAC	12/24 VDC	1A	●	●	1	AC LOSS ONLY	W/FAR
BPS-12-1	120 VAC	12 VDC	1A	●	●	1	–	W/FAR-12
BPS-12-3	120 VAC	12 VDC	3A	●	●	4	W/PSM-12	W/FAR-12
BPS-12-45	120 VAC	12 VDC	4.5A	●	●	4	W/PSM-12	W/FAR-12
BPS-12-6	120 VAC	12 VDC	6A	●	●	8	W/PSM-12	W/FAR-12
BPS-12-9	120 VAC	12 VDC	9A	●	●	8	W/PSM-12	W/FAR-12
BPS-12-15	120 VAC	12 VDC	15A	●	●	8	W/PSM-12	W/FAR-12
BPS-24-1	120 VAC	24 VDC	1A	●	●	1	–	W/FAR-24
BPS-24-2	120 VAC	24 VDC	2A	●	●	4	W/PSM-24	W/FAR-24
BPS-24-3	120 VAC	24 VDC	3A	●	●	4	W/PSM-24	W/FAR-24
BPS-24-4	120 VAC	24 VDC	4A	●	●	8	W/PSM-24	W/FAR-24
BPS-24-6	120 VAC	24 VDC	6A	●	●	8	W/PSM-24	W/FAR-24
BPS-24-10	120 VAC	24 VDC	10A	●	●	8	W/PSM-24	W/FAR-24
BPSM-12-6	120 VAC	12 VDC	6A	●	●	8	●	W/FAR-12
BPSM-12-9	120 VAC	12 VDC	9A	●	●	8	●	W/FAR-12
BPSM-12-15	120 VAC	12 VDC	15A	●	●	8	●	W/FAR-12
BPSM-24-4	120 VAC	24 VDC	4A	●	●	8	●	W/FAR-24
BPSM-24-6	120 VAC	24 VDC	6A	●	●	8	●	W/FAR-24
BPSM-24-10	120 VAC	24 VDC	10A	●	●	8	●	W/FAR-24

Connection to AC power is hard wired.

Securitron Plug-In Power Supply Selection Guide

Model	Input Voltage	Output Voltage	Output Current	Battery Charger	UL Listed	# of Outputs	AC Loss and Low Battery Status	Manual Reset Option
PSP-12	120 VAC	12 VDC	700 mA	–	–	1	–	–
PSP-24	120 VAC	24 VDC	350 mA	–	–	1	–	–
PSP-12-3	120-220 VAC	12 VDC	3A	–	–	1	–	–
PSP-24-1.5	120-220 VAC	24 VDC	1.5A	–	–	1	–	–

Securitron® AQD Series

*Dual-voltage
switching power supplies*



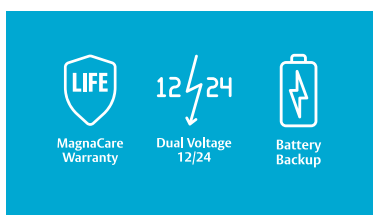
A full line of highly efficient power supplies that protect devices from over voltage.

The Securitron AQD Series of switching power supplies are dual voltage supervised units with a battery charger designed to power magnetic locks, electric strikes, card readers, sensors, access control boards and other devices in access control systems. The Securitron AQD Series can also be used to power DC cameras and other DC locking equipment. These units provide field selectable 12 or 24 VDC with up to 16 independently controlled power limited outputs.

Features

Standard Features

- Dual voltage 12 or 24 VDC field selectable continuous output
- Tolerates brownout or overvoltage input $\pm 15\%$ of nominal voltage
- Thermal shutdown protection with auto restart
- Circuit breaker protects against overcurrent and reverse battery faults (batteries sold separately)
- Dedicated battery charging circuit prevents overvoltage on locking devices (except AQD1)
- Expandable up to 16 outputs in the standard enclosure
- Outputs are Class 2 limited when used with PTC Polyswitch output distribution boards
- Available with a single relay fire trigger or individually fire trigger relayed outputs
- MagnaCare® lifetime replacement, no-fault, no questions asked warranty
- Low noise design provides better than linear performance
- Mix and match configuration allows for UL compliance even when used in other UL Listed enclosures



Securitron AQD Series

Specifications

Certifications

- UL 294 Listed
- UL 603 Listed
- ULC-S318 Listed
- ULC-S533 Listed
- RoHS Compliant
- REACH Compliant

Dimensions

- Enclosure: 14" x 14" x 4-3/4"
[356mm L x 356mm W x 121mm D]

Electrical

- 12 VDC or 24 VDC field selectable output
- 115 or 230 VAC input*
- Supports up to two (2) sealed gel, AGM or wet lead acid batteries
- Up to 90% efficiency
- Low voltage ripple design as low as 240mV p-p

Environmental

- Operating Temperature: -4° to 122°F [-20° to 50°C]

Shipping Weight

- 12.7 lbs [5.76kg]

*AQD1 115VDC only

Models

Model	Amperage	Rated Voltage (12 or 24 VDC)	Input Voltage	Typical Voltage	Class 2 Outputs	Replaces
AQD1	1	12 or 24 VDC	115	13.7 / 27.4	Yes	AQD3
AQD2	2	12 or 24 VDC	115/230	12.5 / 25.0	Yes	AQD3
AQD4	4	12 or 24 VDC	115/230	12.5 / 25.0	Yes	AQD5
AQD6	6	12 or 24 VDC	115/230	12.5 / 25.0	Available*	AQD6

*Outputs are class 2 limited when used with 4 or 8 output PTC distribution boards

Securitron[®] AQS Series

Single voltage
switching power supplies



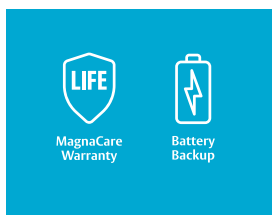
A full line of highly efficient power supplies that protect devices from over voltage.

The Securitron AQS Series of switching power supplies are single voltage supervised units with a battery charger designed to power magnetic locks, electric strikes, card readers, sensors, access control boards and other devices in access control systems. The Securitron AQS Series can also be used to power DC cameras and other DC locking equipment. These units provide stable 12 or 24 VDC with up to 16 independently controlled power limited outputs.

Features

Standard Features

- Single voltage 12 or 24 VDC continuous output
- Tolerates brownout or overvoltage input $\pm 15\%$ of nominal voltage
- Thermal shutdown protection with auto restart
- Circuit breaker protects against overcurrent and reverse battery faults
- Dedicated battery charging circuit prevents overvoltage on locking devices
- Expandable up to 16 outputs in the standard enclosure
- Outputs are Class 2 limited when used with PTC Polyswitch output distribution boards
- Available with a single relay fire trigger or individually fire trigger relayed outputs
- MagnaCare[®] lifetime replacement, no-fault, no questions asked warranty
- Low noise design provides better than linear performance
- Mix and match configuration allows for UL compliance even when used in other UL Listed enclosures



Securitron AQS Series

Specifications

Certifications

- UL 294 Listed
- UL 603 Listed
- ULC-S318 Listed
- ULC-S533 Listed
- RoHS Compliant
- REACH Compliant

Dimensions

- Enclosure: 14"L x 14"W x 4-3/4"D
[356mm L x 356mm W x 121mm D]

Electrical

- 12 VDC or 24 VDC output
- 115 or 230 VAC input
- Supports up to two (2) sealed gel, AGM or wet lead acid batteries

Environmental

- Operating Temperature: -4° to 122°F [-20° to 50°C]

Shipping Weight

- 12.7 lbs [5.76kg]

Models

Model	Amperage	Rated Voltage (12 or 24 VDC)	Input Voltage	Typical Voltage	Class 2 Outputs	Replaces
AQS1210	10	12	115/230	12.5 / 25.0	Available*	AQU128
AQS2410	10	24	115/230	12.5 / 25.0	Available*	AQM20
AQS1216	16	12	115/230	12.5 / 25.0	Available*	AQM20

*Outputs are class 2 limited when used with 4 or 8 output PTC distribution boards.

Securitron® Power Distribution Board with Access Control & Fire Trigger



Power plus interfaces for sophisticated access control

The Securitron PDB-8F8R and PDB-8C8R split a power supply main output into eight fused- or PTC circuit breaker-protected outputs.

Each output is individually configurable to respond and react to access control relay inputs and/or fire trigger.

Features

Standard Features

- Eight power outputs
- Eight individually configurable relays with status LEDs
- End-of-Line resistor master trigger for Fire System interface
- LED indicator for trigger status
- Removable terminal blocks for easy connection
- Each output individually configurable for:
 - Fire trigger enabled or disabled
 - Normally Open or Normally Closed
 - Continuous output
- 8F8R can provide dry contacts by removing fuses
- Relay inputs individually configurable for:
 - Low current open collector
 - Normally Closed switch
 - Normally Open switch
- MagnaCare® lifetime replacement, no-fault, no questions asked warranty
- 8C8R provides class 2 outputs

Specifications

Certifications

- UL 294 Listed
- UL 603 Listed
- ULC-S318 Listed
- ULC-S533 Listed

Electrical

- Available with 1A or 2A Fuses or PTC
- Uses 20 mA per relay
- 7A relays
- 8 fused triggered outputs

Dimensions

- **Board:** 3-3/4"H x 4-13/16"W x 13/16"D [95mm H x 106mm W x 5mm D]
- **Mounting:** 3-7/16"H x 4-1/2"W [87mm H x 114mm W]

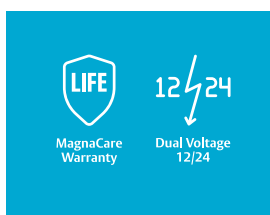
Shipping Weight

- 1 lb [0.45kg]



How to Order

Model Series	Outputs	Relays	Fuse Size
PDB	-8F	8R	1
PDB	8F Glass fuse	8R 8 Relays	1 Amp
	8C PTC		2 Amp



Securitron® Power Distribution Board with Fire Trigger

Power distribution with configurable, supervised fire relay



The Securitron PDB-8C1R and PDB-8F1R split a main DC power source into eight Class 2 power limited outputs.

Each output is individually configurable for “Normally On” or “Normally Off” and can change state in response to an alarm condition from either or both supervised triggers, or can remain in its native state.

Features

Standard Features

- 8 Class 2 power limited outputs with PTC circuit breakers
- Individual LED output status indicators
- LED main input power indicator
- Removable terminal blocks for easy connection
- Two supervised triggers
 - End-of-line resistor
 - Optically isolated trigger by voltage or reverse polarity
- LEDs and form C contacts indicate trigger status
- MagnaCare® lifetime replacement, no-fault, no questions asked warranty
- Trouble and Fire alarm states supervision

Specifications

Certifications

- UL 294 Listed
- UL 603 Listed
- ULC-S318 Listed
- ULC-S533 Listed

Dimensions

- **Board:** 3-7/8"H x 4-7/8"W x 3/4"D [98mm H x 124mm W x 19mm D]
- **Mounting:** 3-7/16"H x 4-1/2"W [87mm H x 114mm W]

Electrical

- Universal 12-24 VDC input
- 90-160 mA per relay
- Available with 1A or 2A Fuses or PTC's
- 2A form C contacts

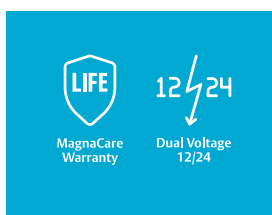
Shipping Weight

- 1 lb [0.45kg]



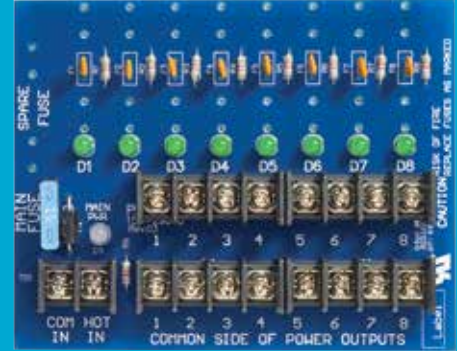
How to Order

Model Series	Outputs	Fuse Size
PDB	-8F1R	1
PDB	8F1R Glass Fuse, Fire Trigger/Relay	1 Amp
PDB	8C1R PTC Output, Fire Trigger/Relay	2 Amp



Securitron® Power Distribution Board

Creates multiple outputs for separate circuits

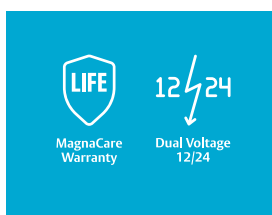


Securitron Power Distribution Boards split the primary AC or DC output from a power supply into multiple outputs of the same voltage type to separate equipment onto individual circuits.

Features

Standard Features

- Splits main board output into multiple outputs
- Each output has a status LED indicator
- Main input has a status LED indicator
- 12V or 24V output (based on power supply output)
- Accepts AC or DC input/ provides same output
- PDB-4 has an on/off power switch
- PDB-8 has a main power indicator that indicates AC, DC or reverse DC input
- Individually fused with 1 Amp or 2 Amp options available
- PTC variants provide class 2 power limited outputs
- Separate fuse for main input surge protection—standard automotive ATO sizes
- MagnaCare® lifetime replacement, no-fault, no questions asked warranty



Securitron Power Distribution Board

Specifications

Electrical

- **PDB-4C, PDB-8C**
 - PTC circuit breakers rated holding current at 130° F
 - Accepts AC or DC input up to 32V
 - Outputs rated Class 2 power limited
- **PDB-4F, PDB-8F**
 - Fuses for individual outputs are standard 3AGC
 - Accepts AC or DC input

Certifications

- UL 294 Listed
- UL 603 Listed
- ULC-S318 Listed
- ULC-S533 Listed

Dimensions

- **PDB-4 Board:** 3-3/4"H x 2-1/4"W x 1"D [95mm H x 57mm W x 25mm D]
- **Mounting:** 3-7/16"H x 1-7/8"W [87mm H x 48mm W]
- **PDB-8 Board:** 4-7/8"H x 4-7/8"W x 1"D [124mm H x 124mm W x 25mm D]
- **Mounting:** 3-7/16"H x 4-1/2"W [87mm H x 124mm W]

How to Order

Model Series	# of Outputs	Fuse Type	Fuse Size
PDB	4	F	1A
PDB	4	F Glass fuse	1A
	8	C PTC	2A

Securitron® Fire Trigger

Fire relay triggers power transfer in alarm situation



The Securitron PDB-1R uses an end-of-line resistor to trigger a form C contact in response to a fire system alarm condition.

In response to the trigger, the unit transfers power from the “Normally On” output to the “Normally Off” output. Additional triggered reactions include status feedback to fire control or annunciation systems, ground fault trigger and input trigger that latches until reset.

Features

Standard Features

- Individual LED indicators show which output is powered
- Form C contact indicates trigger status
- Latching or non-latching mode
- Can provide ground supervision via jumper configuration
- Output triggers include:
 - Normally Open or Normally Closed with supervised End-of-Line resistor
 - Normally Closed override switch trigger input
 - Normally Closed Auxiliary switch trigger input
 - Ground fault detection
 - Trigger status reporting
- MagnaCare® lifetime replacement, no-fault, no questions asked warranty

Specifications

Certifications

- UL 294 Listed
- UL 603 Listed
- ULC-S318 Listed
- ULC-S533 Listed

Dimensions

- **Board:** 3-3/4"H x 2-1/4"W x 13/16"D [95mm H x 57mm W x 21mm D]
- **Mounting:** 3-7/16" H x 1-7/8"W [87mm H x 48mm W]

Electrical

- 70 mA used for relay control
- Universal 12-24 VDC input
- 1A or 2A outputs
- 4A rate of relay

Shipping Weight

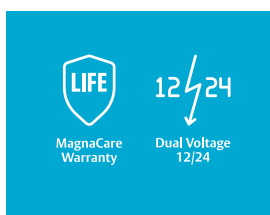
- 0.75 lbs [0.45kg]



Part Number | Description

PDB-1R

Fire Trigger/Relay Interface Board



Securitron® EcoPower® Power Supply

*Efficient 0.5A power supply
for low-power locks*



Securitron EcoPower power supply is designed to work with ultra-low-power electrified access control devices.

This small, aesthetic power supply reduces standby power consumption to only 8.5mW, a 99% energy savings compared to switching power supplies. When paired with EcoFlex® and EcoTrim from SARGENT® and Corbin Russwin®, EcoPower reduces total door power consumption 99%, from up to 20W to 0.3W or less. EcoPower is the most efficient, fully featured power supply available today.

Features

Standard Features

- Extremely low power consumption, only 8.5mW standby power consumption with a 115V input
- Included battery provides 24+ hours of backup
- Universal input voltage capabilities (100-240 VAC)
- Multiple mounting options
 - Surface mounted
 - Recessed into drywall
 - Use either the factory box or an existing UL Listed double gang junction box
- Sustainability documentation
- Longer wire runs of thinner gauge wire provides additional cost savings
- Fire alarm input dry contact (NO or NC)
- Access control input dry contact (NO or NC)
- Supports fail secure and fail safe lock configurations
- LED troubleshooting
- Built in battery end-of-life notification system
- MagnaCare® lifetime replacement, no-fault, no questions asked warranty

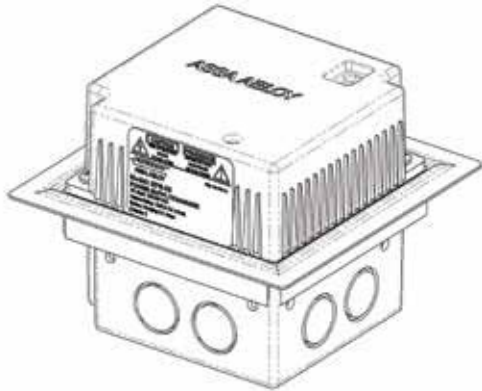
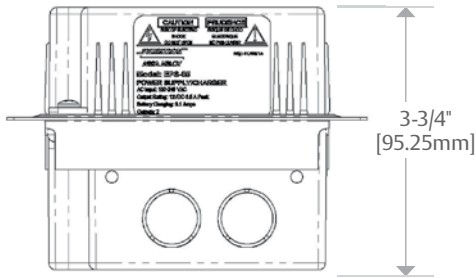
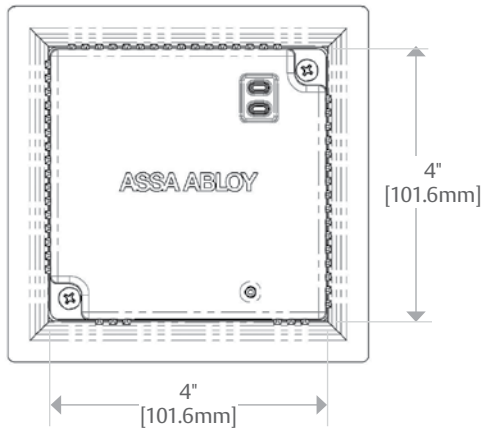


MagnaCare
Warranty



Battery
Backup

Dimensions



Specifications

Certifications

- UL 294 Listed
- UL 603 Listed
- ULC S533 Listed
- CE Certified
 - EN 60950-1:2006 + A11:2009 + A1:2010 + A12:2011 + A2:2013
 - EN 55022: 2010
 - EN 55024: 2010
 - EN61000-3-2: 2014
 - EN61000-3-3: 2013
- RoHS Compliant
- REACH Compliant
- Environmental Product Declaration

Electrical

- Input voltage: 100-240V
- Output voltage: 12V-14V
- Standby power: <10mW at 115V, <20mW at 230V
- Output current: 0.5A peak, 0.1A continuous
- Includes one (1) 800 mAh sealed AGM lead acid battery*

Environmental

- Operating Temperature: -4° to 122°F [-20° to 50°C]

Shipping Weight

- 1.7 lbs [0.77kg]

* Battery not covered under MagnaCare warranty.

How to Order

Model Series	Output Power	Option (s)
EPS	- 05	B
EPS	05 0.5 Amps	(blank) PS, enclosure, battery
		B Circuit Board Only

Securitron® BPSS Boxed Power Supply Solar

Clean power meets green power



The Securitron BPSS is the only out-of-the-box solution specifically designed for remote electric lock control where conventional power is impractical or not available.

This complete solar power system powers most single-point access control device and fail secure lock (intermittent duty only) by producing sustainable solar and battery operated power. Select the Securitron BPSS-10 or BPSS-20 (10 or 20 charging watts respectively), based on solar activity in the area/region where the device or product will be installed.

Features

Standard Features

- Works with most fail secure electric locks
- Works with most keypads or card readers
- Operates outdoors
- 100% solid state solar controller comes with anodized aluminum case and marine-rated terminals
- Low voltage battery monitor protects batteries from deep discharge
- High-efficiency photovoltaic panels use silicon nitride multicrystalline cells
- Green charging LED indicator
- Comes with mounting brackets for enclosure and solar panel
- Approved for use in hazardous locations—Class 1, Division 2, Groups A, B, C, D
- SecuriCare 3-year, no-fault, no questions asked warranty

Optional Features

- Mounting brackets available for fence/pole mounting (to 3" [76.2mm] diameter)
- Wind kit available for high wind areas
- Available in 10W and 20W versions

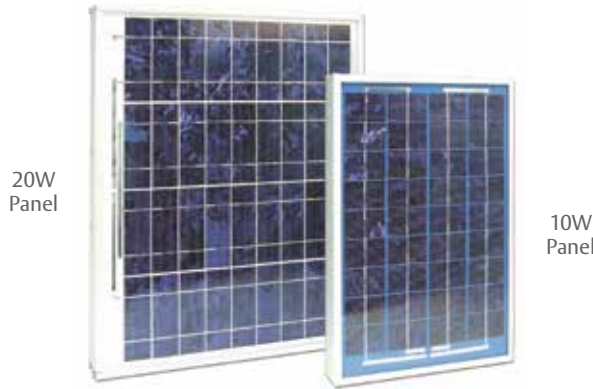


SecuriCare
Warranty



Battery
Backup

Dimensional Images



20W Panel

10W Panel



BPSS Standard
2" Pole Mounting Kit



PMK-3 - Optional
3" Large Pole Mounting Kit



Included Solar Panel
Mounting Kit



SWK - Optional Solar Panel
High Wind Kit for 20W Panel

Specifications

Solar Panels

- Size
 - BPSS-10: 14-1/2" W x 12-3/16" L x 11/16" D [368mm W x 310mm L x 17.5mm D]
 - BPSS-20: 22" W x 14-3/16" L x 11/16" D [559mm W x 360mm L x 17.5mm D]
- Rated Power
 - BPSS-10: 10 Watts
 - BPSS-20: 20 Watts
- Panel Weight
 - BPSS-10: 3.3 lbs [1.5kg]
 - BPSS-20: 5.5 lbs [2.5kg]

Dimensions

- Outdoor (NEMA-3R)
- Enclosure: 12-1/2" W x 13-5/8" L x 4-7/16" D [318mm W x 356mm L x 113mm D]

Standard Enclosure Brackets

- Accommodates up to 2" [51mm] diameter pole/post

Electrical

- Output Voltage: 14.4 VDC max
 - Maximum 125 mA continuous, 1A maximum operating the locking device — intermittent duty only. Number of daily lock operations will vary due to solar activity and current draw

Environmental

- Operating Temperature: -4° to °113F [-20° to 45°C]
- Panels: -40° to 185°F [-40° to 85°C]

Shipping Weight

- 15 lbs [6.8kg]

How to Order

Model Series	Solar Panel Output
BPSS	- 10
BPSS Solar Power Supply	10 10 Watts
	20 20 Watts

Securitron® AQE Single Port Injector

Power over Ethernet



Gigabit data and power all-in-one.

Securitron brings power and data together with our latest innovation. The Securitron AQE15 and AQE30 are single port Power over Ethernet (PoE) MidSpan Injectors designed for access control and security applications. These modules enable the powering of PoE devices from a non-PoE source. Securitron AQE Series Injectors power PoE cameras, access control door controllers and other PoE equipment.

Features

Standard Features

- Allows powering of PoE devices from a non-PoE source
- Operates from low voltage 24 VAC or 24VDC input
- Reset feature allows PoE shutdown
- Visual diagnostics via on board LED
- MagnaCare® lifetime replacement, no-fault, no questions asked warranty

Specifications

Certifications

- UL 294B Listed
- UL/CUL 60950-1
- 15W IEEE 802.3af
- 30W IEEE 802.3at
- CSA C22.2 No.205-M1983, Signal Equipment
- RoHS Compliant

Electrical

- 24 VAC or 24 VDC \pm 15% input
- 1.4 or 2.6A input current
- 50 VDC output
- 300 or 600 mA output current
- 5 to 24 VDC, 10 mA max shutdown terminals
- 100m (328 feet) max data cable length
- 10/100/1000 data rate Base-T compliant

Environmental

- Operating Temperature: 32° to 120°F [0° to 49°C]

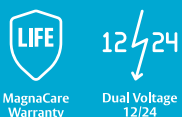


Product Number	AQE15	AQE30
Input Amps	1.4	2.6
Input Voltage	24 VAC or VDC	24 VAC or VDC
Output Current	300 mA	600 mA
Data Rate – BASE T	10/100	10/100/1000
UL 294B	Listed	Listed
UL/CUL 60950-1	Listed	Listed
IEEE 802.3at	Listed	Listed

How to Order

Model Series	Power	Function	Mounting Style
AQE	15		
AQE PoE	15 1.4A, Dual Voltage	(blank) PoE Injector	(blank) Single Port
	30 2.6A, Dual Voltage		

Items can only be ordered as listed above



MagnaCare
Warranty

12/24
Dual Voltage
12/24

Securitron® AQE Single Port Extractor

Power over Ethernet

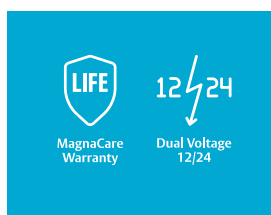


Gigabit data and power all-in-one.

The Securitron AQE30E is a single port Power over Ethernet (PoE) MidSpan Extractor designed for access control and security applications. This module provides 12 VDC up to a maximum of 25W output power to a non-PoE device from a PoE source. The Securitron AQE30E Extractor is used to power DC, IP and PTZ cameras, access control, door controllers and other similar equipment.

The AQE Series Extractor provides RJ45 connectors for data input and output and two terminal strips for the DC output and power level selection.

Product Number	AQE30E
Input Amps	0.6
Input Voltage	12 VDC
Output Current	1A/2A (13/25W)
Data Rate – BASE T	10/100/100
UL294B	Listed
UL/CUL 60950-1	Listed
IEEE 802.3at	Listed



Features

Standard Features

- Allows powering of non-PoE devices from a PoE source
- 12 VDC output power derived from PoE source
- Selectable for 13W or 25W output
- Visual diagnostics by on-board LED
- MagnaCare® lifetime replacement, no-fault, no questions asked warranty

Specifications

Certifications

- UL 294B Listed
- UL/CUL 60950-1
- 30W IEEE 802.3at
- CSA C22.2 No.205-M1983, Signal Equipment
- RoHS Compliant

Electrical

- 42.5 to 57 VDC PoE Input
- 0.6 A input current
- 12 VDC output, 13 or 25W
- 10/100/1000 data rate Base-T compliant

Environmental

- Operating Temperature: 32° to 120°F [0° to 49°C]



How to Order

Model Series	Power	Function	Mounting Style
AQE	30	E	
AQE PoE	30 2.6A, Dual Voltage	E PoE Extractor	(blank) Single Port

Items can only be ordered as listed above

Securitron[®] AQE Rack Mount Injector

Power over Ethernet



Centralize your PoE with remote manageability.

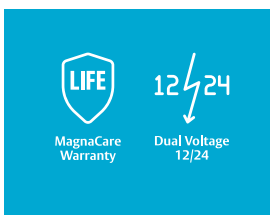
The Securitron AQE250R and AQE500R are 16 port, Power over Ethernet (PoE) injectors that can be monitored and managed online. This series provides power and data to PoE devices such as PTZ cameras, video, access control, door locks and other PoE devices.

These rack mounted power supplies feature (16) ports at up to 32W per port with 10/100/1000 Base-T Gigabyte support. They offer remote power monitoring and the ability to remotely shut down individual ports or all ports simultaneously. They also include a 48V battery charger for cost effective back-up power.

Features

Standard Features

- Up to 32W/port IEEE 802.3at, up to maximum output of 256W or 540W
- Extended temperature range operation up to 122°F [50°C]
- Remote managed system with browser interface
- Remote PoE shutdown per port or all ports simultaneously
- Identifies and protects non-PoE equipment
- Port status LED for easy diagnostics
- Overtemperature, overvoltage, overcurrent and short circuit protection
- Illuminated master power switch with circuit breaker
- 1U 19" [482.5mm] rack mount or wall mount (with bracket included)
- Accepts AC or DC input power
- MagnaCare[®] lifetime replacement, no-fault, no questions asked warranty



Securitron AQE Rack Mount Injector

Specifications

Certifications

- FCC part 15, Class A
- EN 55022 Class A (Emissions)
- EN55024 (Immunity)
- UL/CUL 60950-1
- IEEE.802.at
- CSA C22.2 No. 60950-1
- RoHS Compliant

Electrical

AQE Series AQE250R

- 16 ports
10/100/1000 Mbps data rate
- Up to 32W per port, IEEE.802at, up to 256W aggregate power
- AC Input Requirement
 - Input voltage: 100-240 VAC
 - Input current: 4.5A max
 - AC frequency: 47 to 63 Hz
- DC Input Requirement
 - Input voltage: 50 VDC \pm 10%
 - Input current: 7A max
- Battery Back-up Specification
 - Input voltage: 48 VDC nominal
- BTU rating: 116 BTU/Hr

AQE Series AQE500R

- 16 ports
10/100/1000 Mbps data rate
- 32W per port, IEEE.802.at, up to 540W aggregate power
- AC Input Requirement
 - Input voltage: 100-240 VAC
 - Input current: 9A max
 - AC frequency: 47 to 63 Hz
- DC Input Requirement
 - Input voltage: 50 VDC \pm 10%
 - Input current: 14A max
- Battery Back-up Specification
 - Input voltage: 48 VDC nominal
- BTU rating: 232 BTU/Hr

Environmental

- **Operating Temperature:**
 - AQE250R: -4° to 122°F [-20° to 50°C]
 - AQE500R: -4° to 122°F [-20° to 50°C]

Shipping Weight

- AQE250R: 12 lbs [5.44kg]
- AQE500R: 14 lbs [6.35kg]

Product Details

Product Number	AQE250R	AQE500R
# of Ports	16	16
Output Power	32W/port up to 256W	32W/port up to 540W
Class 2 Power Limited	100- 240 VAC at 4.5A 50 VDC \pm 10% 7A	100- 240 VAC at 9A 50 VDC \pm 10% 14A
Fuse Rating	10/100/1000	10/100/1000
Fuse Type	Listed	Listed
# of Relays	Listed	Listed

How to Order

Model Series	Power	Function	Mounting Style
AQE	250		R
AQE PoE	250 256W 500 540W	(blank) PoE Injector	R Rack Mount Multi-Port

Items can only be ordered as listed above

Securitron® PSP Medium Filtered DC Plug-In Power Supply

Medium capacity plug-in power supply



Securitron PSPs are ideal for powering a wide range of DC devices where power is available via an outlet.

The Securitron PSP Plug-in DC Power Supplies are available in 12 volts at 3A maximum capacity or 24 volts at 1.5A maximum capacity.

Features

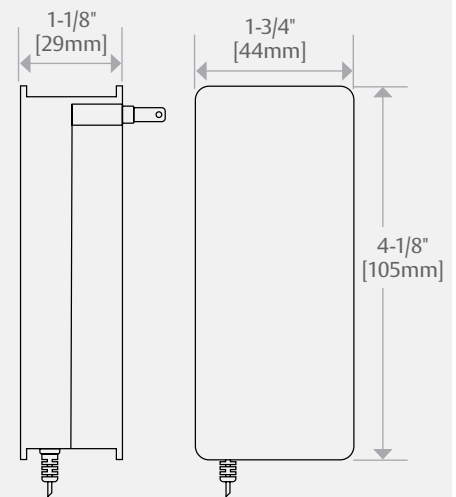
Standard Features

- 36 watts continuous output
- 6 ft. [1.8m] output cable included
- Folding, two-prong AC connector
- Input voltage 100 VAC to 240 VAC
- MagnaCare® lifetime replacement, no-fault, no questions asked warranty

Certifications

- UL listed

Dimensions



Part Number | Description

PSP-12-3	Power Supply Plug-In—Switching, Regulated, 12 VDC, 3A
PSP-24-1.5	Power Supply Plug-In—Switching, Regulated, 24 VDC, 1.5A



Securitron® PSP Small Filtered DC Plug-In Power Supply

Small capacity plug-in power supply



Securitron PSPs are ideal for powering a wide range of DC devices where power is available via an outlet.

The Securitron PSP Plug-in DC Power Supplies are available in 12 volts at 700 mA maximum capacity or 24 volts at 350 mA capacity.

Features

Standard Features

- Internal thermal fuse
- 12 ft. [3.6m] output cable included
- MagnaCare® lifetime replacement, no-fault, no questions asked warranty

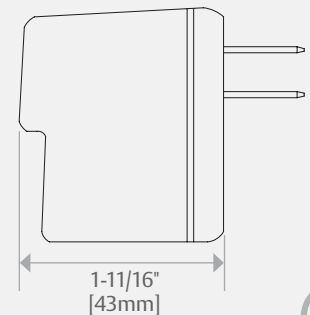
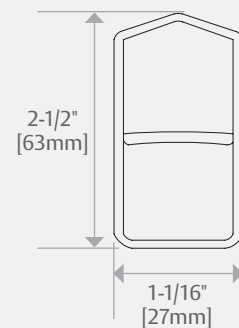
Certifications

- UL listed

Electrical

- 120-240 VAC input

Dimensions



Part Number | Description

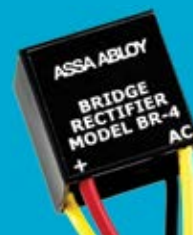
PSP-12	Power Supply Plug-In—12 VDC, 700 mA
PSP-24	Power Supply Plug-In—24 VDC, 350 mA



Securitron® Power Supply Accessories



B-12-5 / B-24-5 Lead Acid Battery



BR-4 Bridge Rectifier



CCB-8 Control Board



CKL Cabinet Key Lock

Sealed Lead Acid Battery

Lead Acid Batteries provide battery back up when used with linear, switching, or EcoPower power supplies, ensuring continued operation of access control devices when the AC source power is compromised.

- Batteries are not covered under warranty

BR-4 Bridge Rectifier

Converts AC input to full wave rectified DC output with a maximum 4A output capacity.

- MagnaCare® lifetime replacement, no-fault, no questions asked warranty

CCB-8 Control Board

Eight (8)-output power distribution board splits a BPS primary output into eight (8), Class 2 power-limited outputs protected by 2A polyswitch breakers.

- Slide switches connect or disconnect load from power
- LEDs indicate power status for each output zone
- Compatible with all BPS models larger than 2A output
- MagnaCare lifetime replacement, no-fault, no questions asked warranty

CKL Cabinet Key Lock

Fits the standard knockout on all Securitron power supply enclosures to protect against tampering and unauthorized access. Includes two (2) keys.

- MagnaCare lifetime replacement, no-fault, no questions asked warranty

Sealed Battery

B-12-5 Battery— 12VDC, 5Ah

B-24-5 Power Supply Plug-In—24 VDC, 5Ah

Bridge Rectifier

BR-4 Bridge Rectifier— 4A

Control Board

CCB-8-12 Central Control Board— 12VDC, 8 fused outputs

CCB-8-24 Central Control Board— 24VDC, 8 fused outputs

Cabinet Key Lock

CKL Cabinet key lock

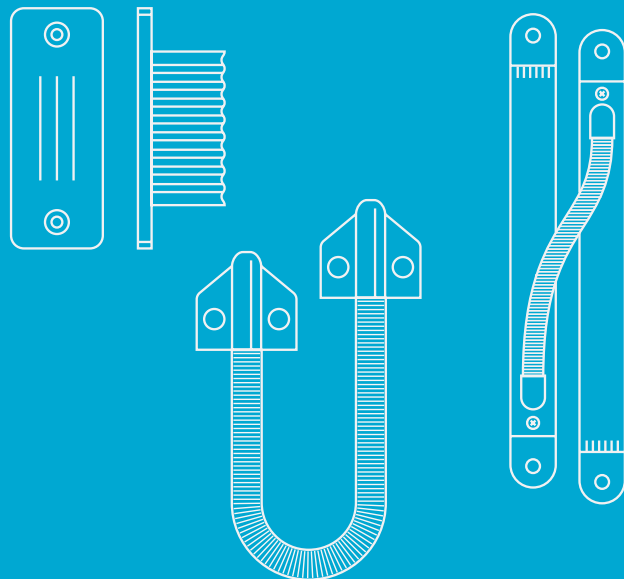


MagnaCare
Warranty

LIFE

12 ⚡ 24

Power Transfers



Securitron® PowerJump® ICPT Inductive Coupling Power Transfer

*No moving parts, no more broken wires,
no need to core drill the door*



The Securitron PowerJump ICPT transfers power contactlessly and invisibly across the door gap to run electrified hardware on the door.

With flexible installation placement on the latch side, hinge side or top of the door, it transfers power without pins or wires, eliminating points of vulnerability and wear—and no need to core drill the door.

Features

Standard Features

- Transfers power wirelessly across door gaps of up to 3/16" [4.7mm]
- Flexible mounting: can be installed on hinge side, latch side or top of frame
- Dual-voltage output 12 VDC or 24 VDC field selectable
- Intermittent duty only
- Recommended for fail secure devices
- Use with electrified locks, latches or other door hardware requiring up to 6 watts (0.5A at 12 VDC) of power
- Adhesive backed templates for accurate installation
- MagnaCare® lifetime replacement, no-fault, no questions asked warranty



MagnaCare
Warranty



Dual Voltage
12/24



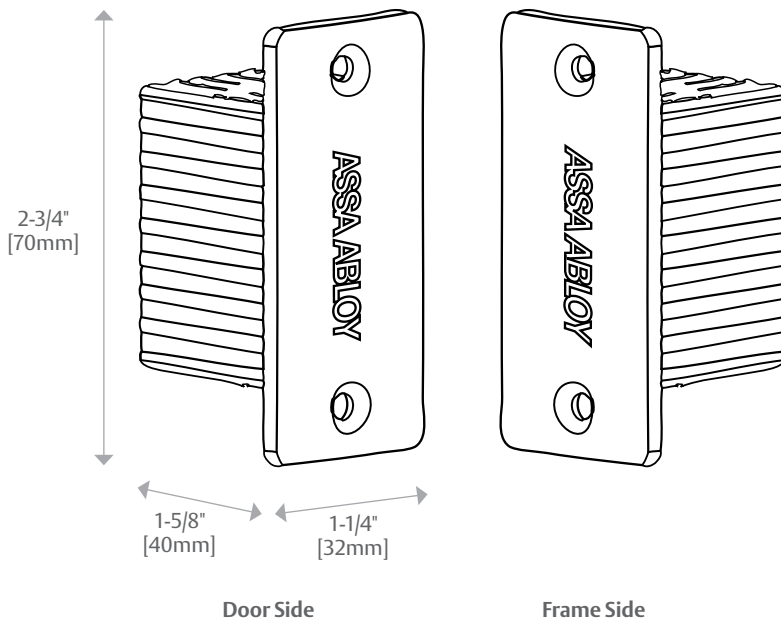
Fire Rated



Windstorm
Resistant

Securitron Powerjump ICPT Inductive Coupling Power Transfer

Dimensions



Watch how this power transfer works at <http://bit.ly/2ROI4K9>

Specifications

Certifications

- UL 10C Fire Rated, 3 hour
- CAN4-S101 (ULC-S104) fire door conformant
- ANSI/SDI-BHMA A250.13 (+/- 150 psi) Windstorm Listed
- FCC Part 15 compliant

Endurance

- 2 million cycles

Dimensions

- Send Unit: (Frame Side)
2-3/4"H x 1-1/4"W x 1-3/8"D
[50.8mm H x 25.4mm W x 34.9mm D]
- Receive Unit: (Door Side)
2-3/4"H x 1-1/4"W x 1-5/8"D
[50.8mm H x 25.4mm W x 41.3mm D]

Electrical

- Input: 24 VDC only 500 mA max
- Output: 500 mA at 12 VDC
250 mA at 24 VDC

Environmental

- Operating Temperature:
-40° to 120°F [-40° to 49°C]

Securitron® CEPT Concealed Electrical Power Transfer

*Beautifully crafted, compact,
secure power transfer*



The heavy-duty, tamper-resistant Concealed Electrical Power Transfer (CEPT) securely transfers power and data from the hinge side of the frame to electrified hardware on the door.

The unit is discreetly concealed between the frame and door when the door is closed. Available in three multi-wire configurations and four finishes, the CEPT complements any architectural setting.

Features

Standard Features

- Mortises into the edges of the door and frame
- Direct retrofit for competitor products
- Tamper resistant
- All metal construction including back boxes
- 7/8" [22.25mm] knockouts on back boxes accommodate EMF-type fittings
- Tested to 1 million cycles
- Compatible with butt hinges up to 6" [152.4mm] and continuous hinges with cutout
- MagnaCare® lifetime replacement, no-fault, no questions asked warranty

Optional Features

- CEPT-10 includes 8–22 AWG wires plus 2–18 AWG wires for higher current devices
- CEPT-C5E includes CAT5E compatible with 9–22 AWG wire stranded conductor, Molex connectors
- EL-CEPT is ElectroLynx® compatible with 12–22 AWG wires, ElectroLynx connectors



MagnaCare
Warranty



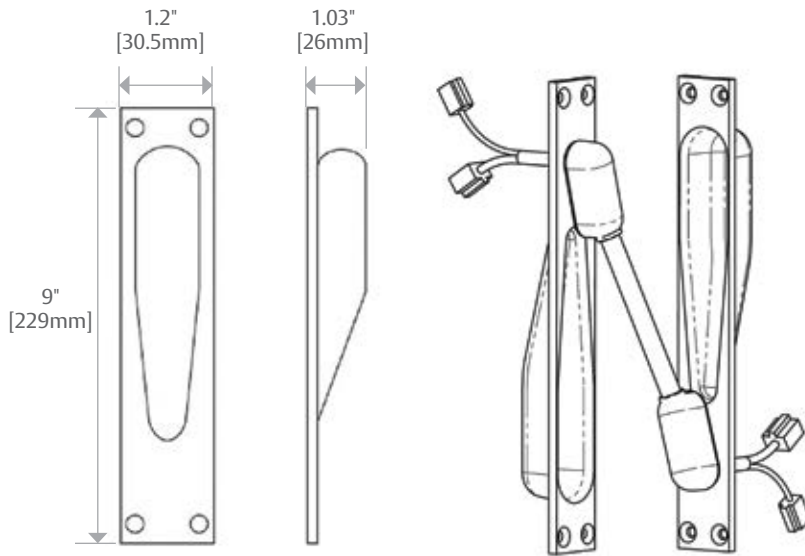
Fire Rated



Windstorm
Resistant

Securitron CEPT Concealed Electrical Power Transfer

Dimensions



Specifications

Certifications

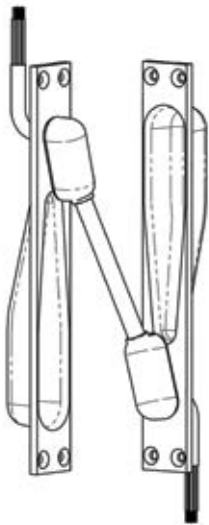
- ANSI/UL 10C Listed, 3 hour rated
- ULC-S318 Listed, 3 hour rated
- ANSI/SDI-BHMA A250.13 (+/- 150 psi) Windstorm Listed
- Florida Building Code Approved

Dimensions

- **CEPT Housing:**
9-1/16" L x 1-3/16" W x 1-7/16" D
[230.2mm L x 30.12mm W x 36.52mm D]

Shipping Weight

- 2.40 lbs [1.09kg]



Technical note:

- Not for use with center hung or balanced doors, pocket or offset pivots or swing clear hinges.
- Door swing ranges when installed with butt hinges are:

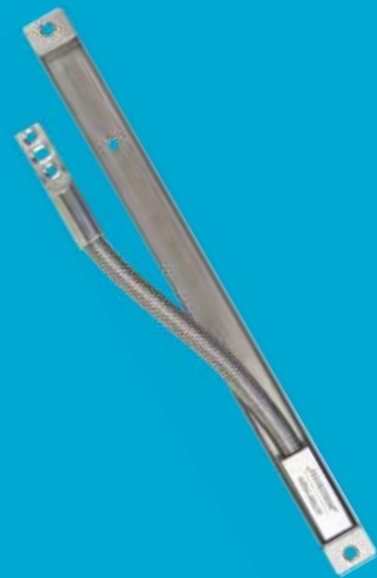
Hinge Size	Swing Range
5" [127mm] or less	up to 180°
5-1/2" [139.7mm]	up to 130°
6" [152.4mm] Butt Hinge	up to 110°

How to Order

Wire Connectors	Shape	Number of Wires	Finish
EL	– CEPT	– C5E	– 10B
(blank) No Connectors	CEPT Concealed Power Transfers	(blank) 12 Wires (EL option only)	(blank) 630 finish
EL ElectroLynx Connectors		10 10 Wires	04 606 finish
		C5E 9 Wires	10 612 finish
		NW no Wires	10B 613 finish

Securitron® SEPT Square-Cut Electrical Power Transfer

*Square tabs, medium length
for flexible power & data transfer*



Concealed, secure conduit for power and data transfer between a frame and door.

This unit is designed with a stamped steel housing and spring steel conduit to protect power and data wires. The square mounting tabs provide easier installation for recessed installation. The Securitron SEPT can be used on swing doors with butt hinges, continuous hinges or pivots with less than 3/4" offset.



Square mounting tabs simplify recessed prep on any door

Features

Standard Features

- Heavy duty design
- Installs in the door and frame edges
- Flexible steel shield protects wires – 1/4" [6.3mm] inside diameter
- Works with almost any type of butt hinge or continuous hinge
- MagnaCare® lifetime replacement, no-fault, no questions asked warranty

Optional Features

- SEPT-10 includes 8–22 AWG wires plus 2–18 AWG wires for higher current devices
- SEPT-C5E CAT5E compatible with 9-22 AWG wire stranded conductor, Molex connectors
- EL-SEPT ElectroLynx® compatible with 12-22 AWG Wires, ElectroLynx connectors



Specifications

Certifications

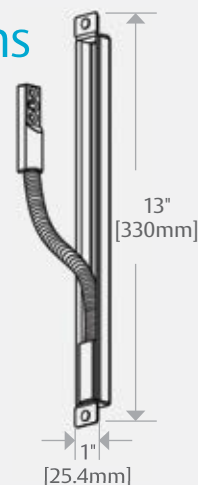
- UL 10C Listed
- CAN4-S104 Listed
- ANSI A250.13 (+/- 150 psi)
- Windstorm Listed

Shipping Weight

- 0.85 lbs [0.39kg]

Dimensions

- Interior Flex Shield: 1/4" [6.3mm]



How to Order

Wire Connectors	Shape	Number of Wires
EL	– SEPT	– C5E
(blank) No Connectors	SEPT Square Cut Power Transfer	(blank) 12 Wires
EL ElectroLynx Connectors		10 10 Wires
		C5E 9 Wires



Securitron® EPT Electrical Power Transfer

*Concealed, tamper resistant,
flexible power and data transfer*



The Securitron EPT Electric Power Transfer provides concealed, secure power and data conduit between a frame and door, transmitting power to electrified locks, exit bars and more.

Its durable stamped steel housing and flexible spring steel conduit make the Securitron EPT suitable for most types of swinging doors with butt or continuous hinges or pivot hinges up to 3/4" offset. The Securitron EPT-SC accommodates swing-clear hinges and most pivot hinges.

Features

Standard Features

- Installs in the door and frame edges
- Flexible steel shield protects wire bundles up to 5/16" [8mm] thick
- Works with almost any type butt hinge, continuous hinges and some pivot hinges.
- Rounded mounting tabs
- MagnaCare® lifetime replacement, no-fault, no questions asked warranty

Optional Features

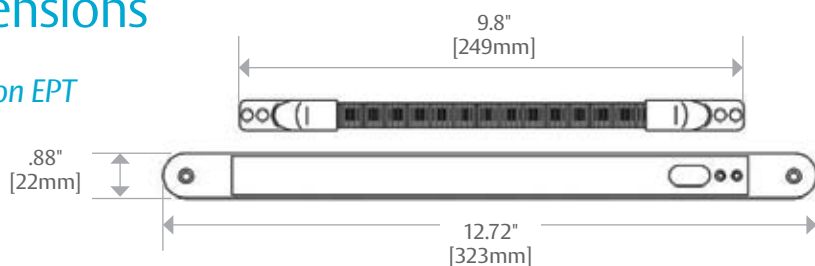
- **EPT** for standard hinges and pivot hinges less than 3/4" [19mm] offset
- **EPTL** for extended length up to 5" center to center
- **EPT-SC** for swing-clear hinges or pivot hinges with larger offset; not for use with center pivot doors
- **EL** Models are ElectroLynx® compatible including 12–22 AWG wires, ElectroLynx connectors



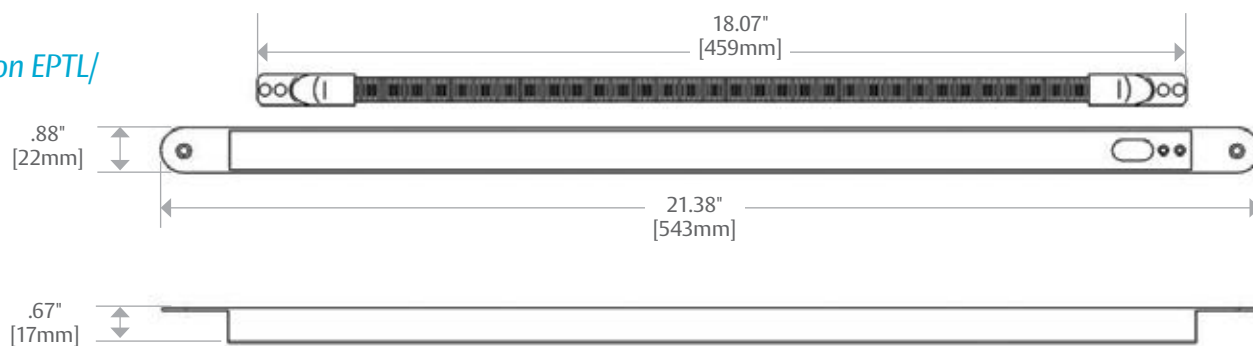
Securiton EPT Electrical Power Transfer

Dimensions

Securiton EPT



Securiton EPTL/ EPT-SC



Specifications

Certifications

- UL 10C Listed
- CAN4-S104 Listed
- UL 634 Listed (EL-EPT/ EL-EPTL)
- ULC/ORD-C634 (EL- EPT/EL-EPTL)
- ANSI/SDI-BHMA A250.13 (+/- 60 PSF) Windstorm Listed

Dimensions

- EPT Housing: 12-3/4" L x 7/8" W x 11/16" D [323.9mm L x 24.8mm W x 17.5mm D]
- EPTL Housing: 21-3/8" L x 7/8" W x 11/16" D [542.9mm L x 24.8mm W x 17.5mm D]
- Interior Flex Shield: 3/8" [9.5mm]

Shipping Weight

- EPT: 0.75 lbs [0.34kg]
- EPTL: 1.20 lbs [0.54kg]
- EPT-SC: 1.25 lbs [0.57kg]
- EL-EPT: 0.75 lbs [0.34kg]
- EL-EPTL: 1.20 lbs [0.54kg]
- EL-EPT-SC: 1.25 lbs [0.57kg]

How to Order

Wire Connectors	Shape	Door Swing/Options
EL	– EPT	– SC
(blank) No Connectors	EPT 10" Cord	(blank) Standard Swing
EL ElectroLynx® Connectors	EPTL 18" Cord	SC Swing Clear / Pivots
		CSE 9 Wires

Securitron® EH Electric Hinge

*Double duty hinge for
streamlined power transfer*



The Securitron EH is an efficient, discreet, concealed solution that provides secure power and data transfer from frame to door when streamlined wiring is needed.

Each hinge features concealed plug connectors that eliminate separate or exposed wiring. Ultimate concealment for tamper-resistance.

Features

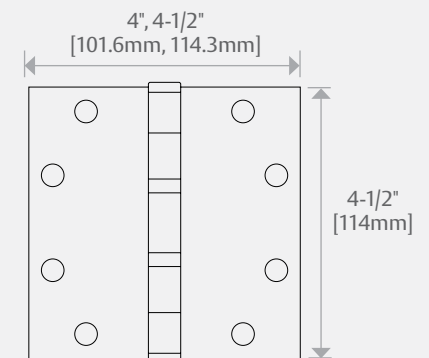
Standard Features

- Transfer power with the highest level of concealment
- Produces the most aesthetically pleasing appearance
- Available in 4-1/2" [114.3mm] or 4" [101.6mm] hinge length
- 500 mA power capability
- 6 conductor, 28 gauge wire
- 6" [152.4mm] pigtail provided for connections
- MagnaCare® lifetime replacement, no-fault, no questions asked warranty

Shipping Weight

- 1.10 lbs [0.50kg]

Dimensions



How to Order

Model Series	Size
EH	- 45
EH Electric Hinge	40 4" Length
	45 4.5" Length



Securitron® TSB-C Door Cord

Simple, affordable solution for durable, tamper resistant power and data transfer



The Securitron TSB-C Door Cord is the simplest and most economical solution for power transfer between a door frame and the door.

Designed with an armored stainless steel cable and mounting caps for ease of installation.



Features

Standard Features

- Flexible armored stainless steel cable conduit with plastic end caps
- Maximum flexibility for installation site on door/frame
- Include both gray and black end caps
- Interior diameter: 1/4" [6mm]
- MagnaCare® lifetime replacement, no-fault, no questions asked warranty

Optional Features

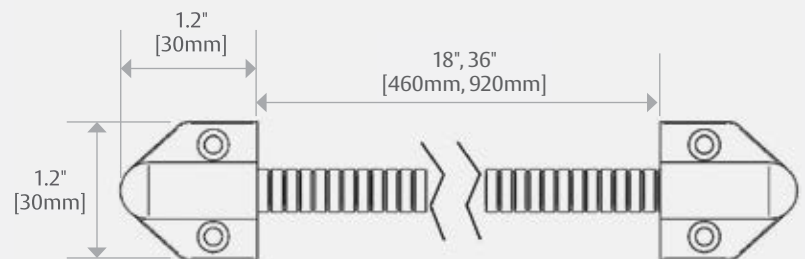
- Product Options
 - 18 18" [460mm] length
 - 36 36" [920mm] length

Specifications

Shipping Weight

- 0.10 lbs [0.05kg]

Dimensions



How to Order

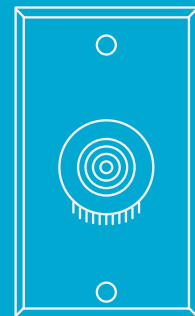
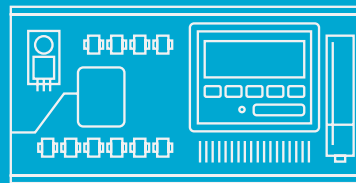
Model Series	Size
TSB-C	XL
TSB-C Door Cord	(blank) 18"
	XL 36"

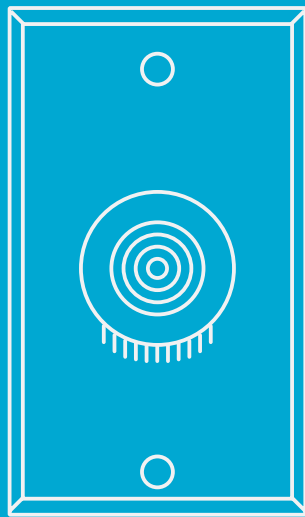
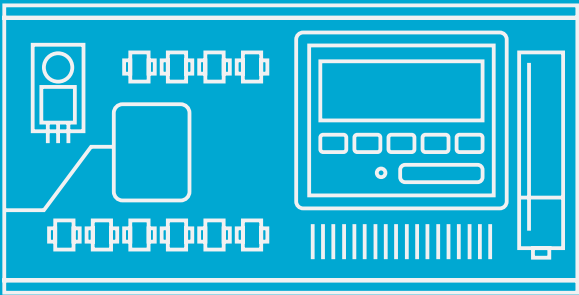
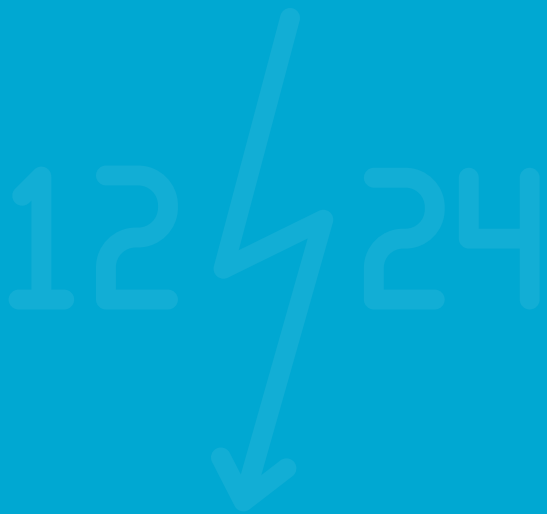


MagnaCare
Warranty



Accessories





Securitron® TM-2 Time Master II Multi-Function Timer



The Securitron TM-2 is a premium, industrial duty, multi-function timer that provides precise timing using stackable increments in seconds or minutes and easy-to-use dip switch settings.

Ideally suited for unusual time sequencing requests, like bank or ATM vaults.

Features

Standard Features

- Industrial quality multi-function timer for delay or time sequencing
- DIP switches select delay times of 1 to 255 seconds or minutes
- Flashing LED provides visual indication of remaining time or alert status
- Triggering can be from a NO or NC switch
- MagnaCare® lifetime replacement, no-fault, no questions asked warranty

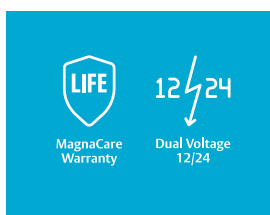
Specifications

Electrical

- 12 or 24 VAC or VDC
- 5A DPDT relay output

Environmental

- Operating Temperature: 32° to 149°F [0° to 65°C]



Securitron® TM-9 Time Mate Timer



The compact Securitron TM-9 extends the hold-open request of a momentary push button or keyswitch, enabling single-hand operation of the door or delaying re-arming of alarms.

Features

Standard Features

- Miniature timer extends momentary switches
- Fits in outlet boxes with push buttons or keyswitches
- 3A SPDT relay energizes for 2 to 36 seconds
- Time setting is selected by easy to configure DIP switches
- Applications include releasing electric locks and shunting alarm contacts
- MagnaCare® lifetime replacement, no-fault, no questions asked warranty

Specifications

Electrical

- 12 or 24 VAC or VDC
- 3A SPDT relay output

Environmental

- Operating Temperature: 32° to 149°F [0° to 65°C]



MagnaCare
Warranty



Dual Voltage
12/24

Securitron® DT-7 Prime Time Digital Timer



Control doors equipped with electrified hardware— with or without access control— with the Securitron DT-7 digital timer.

The Securitron DT-7 can be used as a stand-alone unit or in conjunction with Securitron DK-26 and other products. Versatile programming supports timed, unlocked, locked, or access-control-only states to turn electric locks or other security systems on and off at programmed times.

Features

Standard Features

- 7-day digital timer
- 10A DPDT relay can be operated in toggle or pulse mode
- 12 programmed on/off times
- Set daily (6 on, 6 off), on selected days, or on blocks of days
- “First Man In” feature delays preset action until first access
- AA battery provides backup to the display module program memory – battery not included
- MagnaCare® lifetime replacement, no-fault, no questions asked warranty

Specifications

Electrical

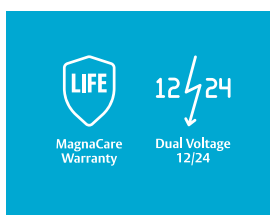
- 170 mA at 12 or 24 VAC or VDC

Environmental

- Operating Temperature: 32° to 113°F [0° to 45°C]

Shipping Weight

- 0.75 lbs [0.34kg]



Securitron® PZ1 Piezo Sounder



The Securitron PZ1 can be used as a local or remote alarm sounder for exit delay or door prop alarm.

Features

Standard Features

- Remote annunciator
- Powerful Piezo sounder — 86 db
- Includes anti-tamper screws
- Stainless steel single gang plate 4-1/2" x 2-3/4" [114mm x 70mm]
- MagnaCare® lifetime replacement, no-fault, no questions asked warranty

Specifications

Electrical

- Operates on 5 VDC – 28 VDC
- Rated at 20 mA operating current at 24 VDC
- 103 dB max at 1 ft and 24 VDC



MagnaCare
Warranty



Dual Voltage
12/24

Securitron® DPA Door Prop Alarm



The Securitron DPA complements door position/door state detection with timed logic and relays that provide escalating alerts when a door is held, propped or unsecure after a defined time period.

This unit promotes safety and loss prevention at ancillary exits for healthcare, commercial and retail facilities.

Features

Standard Features

- Multi-functional control timer provides relay action for alarms and alerts
- Monitors whether a door remains open after a defined time frame
- Includes three SPDT outputs providing local and remote signaling
- Digital time settings from 30 to 240 seconds
- Detects attempts to tamper with lock or door status
- Multiple time ranges for escalating alerts
- Bypass mode for valid access/egress needs
- Comes with Piezo sounder and LED
- MagnaCare® lifetime replacement, no-fault, no questions asked warranty

Specifications

Electrical

- Max draw 100 mA at 12 VDC
Max draw 50 mA at 24 VDC
- 5A SPDT Relays

Environmental

- Operating Temperature: 32° to 120°F [0° to 49°C]

Shipping Weight

- 2.05 lbs [0.93kg]

How to Order

Model Series	Voltage
BA-DPA	- 24
BA-DPA Door Prop Alarm Timer	12 12VDC 24 24VDC



Securitron® DPS Door Position Switches



Securitron DPS-W and DPS-M door position switches enable access control systems to monitor the open or closed state of a door.

These switches can transmit an initiate signal to Securitron XDT delayed exit logic timers and DPA door prop logic timers.

Features

Standard Features

- Mated magnetic switch and cylindrical magnetic contact
- Recesses into door and frame
- 3/4" [19mm] round installation, 15/16" [23.8125mm] deep
- Provides normally closed SPST switch
- Works with door gap up to 3/4" [18mm]
- Larger cylindrical magnet counters shielding effect of steel
- MagnaCare® lifetime replacement, no-fault, no questions asked warranty

Optional Features

- Available in white, gray or black

Specifications

Electrical

- Switching Current AC/DC (max): 0.4A

Environmental

- Operating Temperature: -40° to 150°F [-40° to 65°C]

How to Order

Model Series	Door Type	Finish
DPS	- M	- BK
DPS Door Position Switch	M Metal Door	BK Black
	W Wood Door	GY Gray
		WH White



MagnaCare
Warranty

Securitron® MSS Maximum Security Switches

Maximum security switches
for door position detection



Tamper-resistant switches provide versatile door monitoring with armored cable options to detect the status of opened areas in higher security settings.

With multiple options for different environments, MSS can be used with access control or alarm systems to provide peace of mind where status detection is a critical concern.

Features

Standard Features

- Interfaces to access control and alarm systems for remote indication of open/closed status
- Unique “mated” magnetic contact for preventing defeat attempts by foreign magnets
- Can be used to provide initiate signal to Securitron XDT delayed egress timer
- Hidden anti-tamper output (MSS-1 and MSS-1G)
- Layered protection for tamper detection and reporting
- SPDT Contact
- MagnaCare® lifetime replacement, no-fault, no questions asked warranty

Optional Features

- MSS-1 includes jacketed cable for hollow metal applications
- MSS-1G includes a 3-foot [936mm] stainless steel cable
- RT — Enables remote testing to confirm function
- C — Concealed

How to Order

Model Series	Mounting Method	Special Feature
MSS-1	C	– RT
MSS Magnetic Security Switch	C Concealed G Surface Mount	RT Remote Test

NOTE: No other combinations of model numbers can be ordered.

Specifications

Certifications

- UL 634 Listed
- ULC/ORD-C634 Listed

Electrical

- Main Output: SPDT at max of 125 mA at 24 VDC; 250 mA at 12 VDC
- Tamper Output: Closed when secure; open to alarm — 1A max current

Environmental

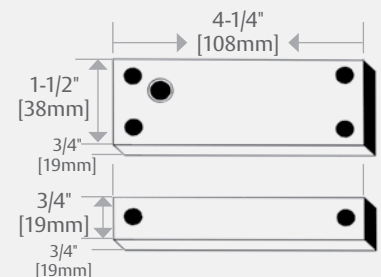
- Operating Temperature: -40° to 150°F [-40° to 65°C]

Shipping Weight

- 1.5 lbs [0.68 kg]



Dimensions



Securitron[®] LM Latch Monitors



The Securitron LM Series interfaces with an access control or alarm system to indicate the state of the latchbolt.

Used alone or in conjunction with a door position switch, the Securitron LM provides confirmation that the door is secure, preventing false alarms and unauthorized access while providing tamper detection. Can also be used to transmit an initiate signal to Securitron XDT delayed egress logic timers.

Features

Standard Features

- Electronically detects and reports mechanical latch and bolt positions
- Provides peace of mind that the door is secure
- Installs easily, conceals behind existing hardware
- Requires no jamb or strike plate modification
- MagnaCare[®] lifetime replacement, no-fault, no questions asked warranty

Optional Features

- LML-1 provides SPDT switch, fits ANSI 4-7/8" [123.825mm] cutout
- LMS-1 provides SPDT switch, fits ANSI 2-3/4" [69.85mm] cutout
- LML-2 monitors mortise latch and deadbolt separately with two SPDT switches

Specifications

Certifications

- UL 634 Listed
- ULC/ORD-C634 Listed
- ANSI/UL 294 Listed
- CSFM — California State Fire Marshal Approved

Electrical

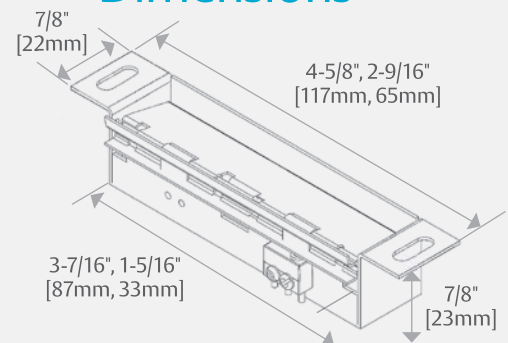
- Contact Rating: SPDT 2A at 24V

Environmental

- Operating Temperature: -40° to 160°F [-40° to 71°C]



Dimensions



How to Order

Model Series	Strike Size	Number of Switches
LM	L	- 2
LM Latch Monitor	L ANSI 4-7/8" Strike	1 Single Switch
	S ANSI 2-3/4" Strike	2 Dual Switches



MagnaCare
Warranty

Securitron® RB Relay Board



The relay board provides normally-open or normally-closed relays that can be interconnected.

Ideal for interlock installations or wherever a basic relay board is used to trigger action, shunt alarms or report status from an access control system.

Features

Standard Features

- 4 DPDT relays with 2A contacts
- Individual coil connections — common negative or positive
- Replaces socket mount relays
- Dry contact connections via screw terminals
- Relays have low current coils (13 mA at 12 VDC; 8 mA at 24 VDC)
- Allows operation from most LED drive outputs
- MagnaCare® lifetime replacement, no-fault, no questions asked warranty

Specifications

Dimensions

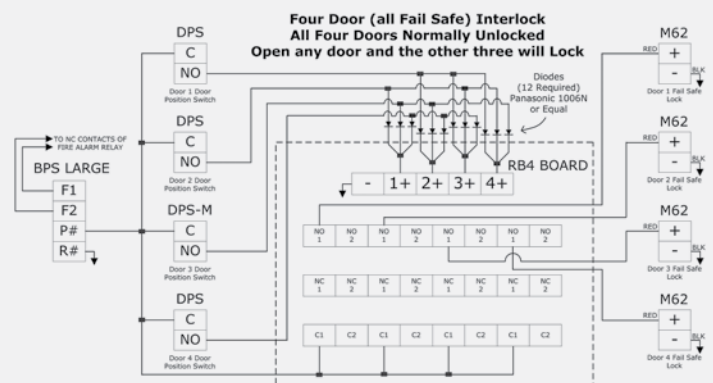
- 4"W x 3-1/2"H
[101.6mm W x 88.9mm H]

Electrical (Max Draw)

- 32 mA at 12 VDC or 32 mA at 24 VDC

Environmental

- Operating Temperature:
-13° to 158°F [-25° to 70°C]

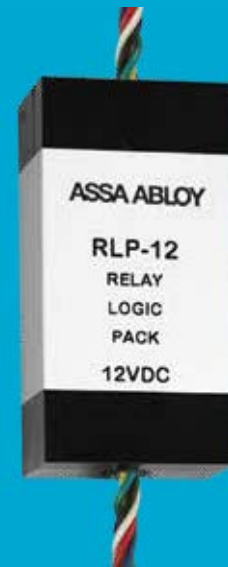


How to Order

Model Series	Voltage
RB-4	- 12
RB-4 Relay Board	12 12VDC
	24 24VDC



Securitron® RLP Relay Logic Pack



The economical, multi-function Securitron RLP logic circuit can be used as a DPDT latching alarm relay.

It can also provide a relay for two-door interlocks (mantrap), or can initiate a brief signal delay to eliminate timing problems among multiple monitoring points on a door under access control.

Features

Standard Features

- Provides additional relay to access control systems requiring NO or NC dry status signals
- Provides a brief delay to harmonize door state reporting from multiple detection points
- Can create a relay interlock circuit
- Use with locks to create an interlocked trap entry
- Provides time delay of door operator when electric lock is used
- MagnaCare® lifetime replacement, no-fault, no questions asked warranty

Specifications

Electrical

- 30 mA at 12 VDC
- 15 mA at 24 VDC
- 1A DPDT relay

Environmental

- Operating Temperature: -13° to 158°F [-25° to 70°C]

How to Order

Model Series	Voltage
RLP	- 12
RLP Relay Logic Pack	12 12VDC
RB-4 Relay Board	24 24VDC





Resources

Glossary of Common Electrified Locking Terms

Access Control

Any person, device or system that qualifies a request for access. This can include recognition by others, possession of the correct key or card, knowledge of the correct code, or having the biological features to pass biometric review (facial recognition, retina scans, fingerprints, hand geometry, etc.) Failure to qualify typically results in not gaining entry.

Egress Control

Any person, device or system that qualifies a request to exit. Such control is commonly used in institutional occupancies where elopement presents a danger to oneself or to others. Failure to qualify typically results in not being able to exit.

Free Egress

The ability to exit at will.

Free Ingress

The ability to enter at will.

Delayed Egress

A delay between the attempt to exit and the ability to exit. In door hardware systems, it is accomplished by the triggering of a switch within a component of the door hardware during the course of an exit attempt. The switch starts an irrevocable timing sequence, usually 15 seconds, leading to the unlocking of the door in the direction of egress.

Fail Secure

A term used to describe an electric lock that has a mechanical state of being locked and requires power to unlock it. Also known as electrically unlocked.

Fail Safe

A term used to describe an electric lock that has a mechanical state of being unlocked and requires power to lock it. Also known as electrically locked.

Switch Bar, aka Active Dummy with Switch

A panic style bar with no latching mechanism that is designed to switch a low voltage electrical current. Some are UL Listed for the purpose of directly breaking power to an electromagnetic lock.

Door Position Switch (DPS)

A door position switch (DPS) provides a signal to an access control system indicating whether the door is open or closed.

Request to Exit (REX)

Some access control hardware offer integrated motion detectors that automatically signal the lock to disengage when it detects approaching traffic.

Passive Infrared (PIR)

A passive infrared (PIR) sensor measures invisible radiant light radiating from objects in its field of view.

Metal Oxide Varistor (MOV)
















Metal Oxide Varistors (MOV) are used as compensation elements in circuits to protect against excessive transient voltages.

Lock Function









A term used to describe a selection from the classification system for the functional characteristics of locks. Four functions are commonly used with electrically controlled access systems:

- **Passage Function**
Free egress and ingress. No locking controls are present from either side. Commonly used with electromagnetic locks to provide necessary latching for fire-labeled doors.
- **Classroom Function**
Free egress. Exterior lever can be locked or unlocked using a key, resulting in a mechanical function change from passage to storeroom. Used, but not recommended for electric locking systems as it introduces the human error of forgetting to relock the door.
- **Storeroom Function**
Free egress. Non-functioning exterior lever. Key retracts latch for entry. Available as an electrically controllable lock in both fail secure and fail safe. Application or removal of electric current temporarily changes function to passage.
- **Asylum Function, aka Institutional Function**
Locked from both sides. Key required to retract latch from either side. Cannot be left unlocked from either side. Available as an electrically controllable lock in both fail secure and fail safe. Application or removal of electric current temporarily changes function to passage.

Icon Glossary

Icon	Descriptions	
 Grade 1	Grade 1	Electric Strikes — 1500lbs or greater static holding force, 70 ft lbs of dynamic holding force, and withstands 500,000 cycles of operation Electromagnetic Locks — 1500lbs or greater static holding force, 70 ft lbs of dynamic holding force, and withstands 1 Million cycles of operation
 Grade 2	Grade 2	Electric Strikes — 1000lbs or greater static holding force, 50 ft lbs of dynamic holding force, and withstands 300,000 cycles of operation Electromagnetic Locks — 1000lbs or greater static holding force, 50 ft lbs of dynamic holding force, and withstands 1 Million cycles of operation
 Grade 3	Grade 3	Electric Strikes — 500lbs or greater static holding force, 33 ft lbs of dynamic holding force, and withstands 100,000 cycles of operation Electromagnetic Locks — 1000lbs or greater static holding force, 33 ft lbs of dynamic holding force, and withstands 1 Million cycles of operation
 MagnaCare Warranty	MagnaCare® Warranty	ASSA ABLOY Electronic Security Hardware's exclusive MagnaCare® lifetime replacement, no-fault, no questions asked warranty
 SecuriCare Warranty	SecuriCare Warranty (10)	ASSA ABLOY Electronic Security Hardware's exclusive SecuriCare ten-year, no-fault, no questions asked warranty
 SecuriCare Warranty	SecuriCare Warranty (5)	ASSA ABLOY Electronic Security Hardware's exclusive SecuriCare five-year, no-fault, no questions asked warranty
 SecuriCare Warranty	SecuriCare Warranty (3)	ASSA ABLOY Electronic Security Hardware's exclusive SecuriCare three-year, no-fault, no questions asked warranty
 Mortise Locks with Deadbolt	Mortise Locks with Deadbolts	A lock case that fits into a prepared rectangular shaped recess in the edge of a door. Deadbolts are bolts having no spring action, but are operated by a thumb turn or key.
 Mortise Locks without Deadbolt	Mortise Locks without Deadbolt	A lock case that fits into a prepared rectangular shaped recess in the edge of a door. Latchbolts are a spring actuated bolt, with a beveled surface, which, when aligned with the strike plate, engages it automatically.
 Cylindrical Locksets	Cylindrical Lockset	A lock for a door prepared with one or more cross-bores and one or more edge-bores
 Rim Exit Devices	Rim Exit Devices	A latch mechanism that releases by depressing a cross bar or panel extending across the width of the door sometimes called a panic bar, panic exit hardware or fire exit bolt
 Specialty Locksets	Specialty Locksets	Includes specialty locksets including but not limited to cylindrical deadbolt, hook bolt, unit lock, weiser bolt, and narrow style aluminum lock
 Swinging Door	Swinging Door	For use on swinging doors or cabinets
 Sliding Door	Sliding Door	For use on sliding doors or cabinets
 Roll-Up Door	Roll-Up Door	For use on roll-up doors or cabinets

Icon Glossary

Icon	Descriptions	
 Drawers	Drawers	For use on cabinet drawers
 Field Selectable (Fail secure / Fail safe)	Field Selectable Fail Secure/Fail Safe	Product able to be configured in the field to operate in fail safe (power to lock) or fail secure (power to unlock)
 Dual Voltage 12/24	Dual Voltage	Product able to be configured in the field to operate on either 12 or 24 volts or provide 12 or 24 volts
 Auto Sensing Dual Voltage 12/24	Auto Sensing Dual Voltage	Product automatically configures to operate on either 12 or 24 volts
 PoE Friendly	PoE Friendly	An electronic locking device with a standby current draw of less than 300 mA at 12 VDC, which ensures compatibility with most PoE enabled door controllers with sufficient capacity to allow for other access control peripherals to be powered around the door
 Battery Backup	Battery Backup	Supports the addition of batteries to provide backup power in case of a primary source power outage
 Fire Rated	Fire-Rated	Products with a Fire Rating have been evaluated and listed to UL10B, "Fire Test of Door Assemblies" and UL10C, "Positive Pressure Fire Tests with Door Assemblies". The hourly rating qualification is also noted
 Windstorm Resistant	Windstorm Resistant	Windstorm resistant products are certified to meet the performance requirements of windstorm-rated assemblies on exterior swinging door applications (Products are designed and tested to perform in sustained winds up to 150 miles per hour)
 Preload	Preload Capable	Preload capable products are capable of opening under load as defined applicable ANSI/BHMA standards
 Outdoor Rated	Outdoor Rated	Product has been tested and shown to comply to UL1034, including the "Outdoor Equipment Use" section
 Burglary Rated	Burglary Rated	Product has been tested and shown to comply to UL1034
	UL Listed	UL Listed means that UL has tested representative samples of the product and determined that it meets UL's requirements. These requirements are based primarily on UL's published and nationally recognized Standards for Safety
	CE Listed	CE listed is a conformity marking for certain products sold within the European Economic Area (EEA)
	Environmental Product Declaration	A UL-certified Environmental Product Declaration (EPD) is a thorough, internationally harmonized report produced by a manufacturer documenting the ways a product, throughout its lifecycle, impacts the environment

Basic Magnetic Locking System

Use on any exit door where free egress is permitted

Inside Operation

The door is secured via the Magnalock®. Free egress is accomplished by pushing on the Securitron TSB which de-energizes the lock. Contact the factory for additional exit devices necessary for fire-rated installations.

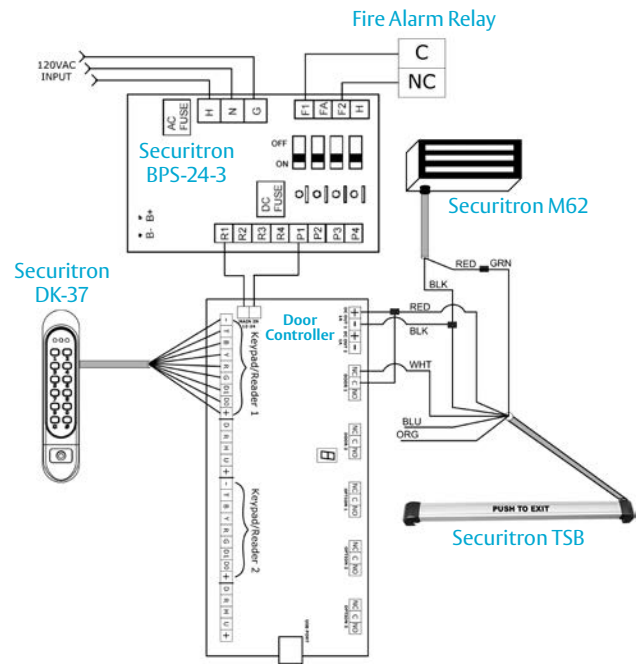
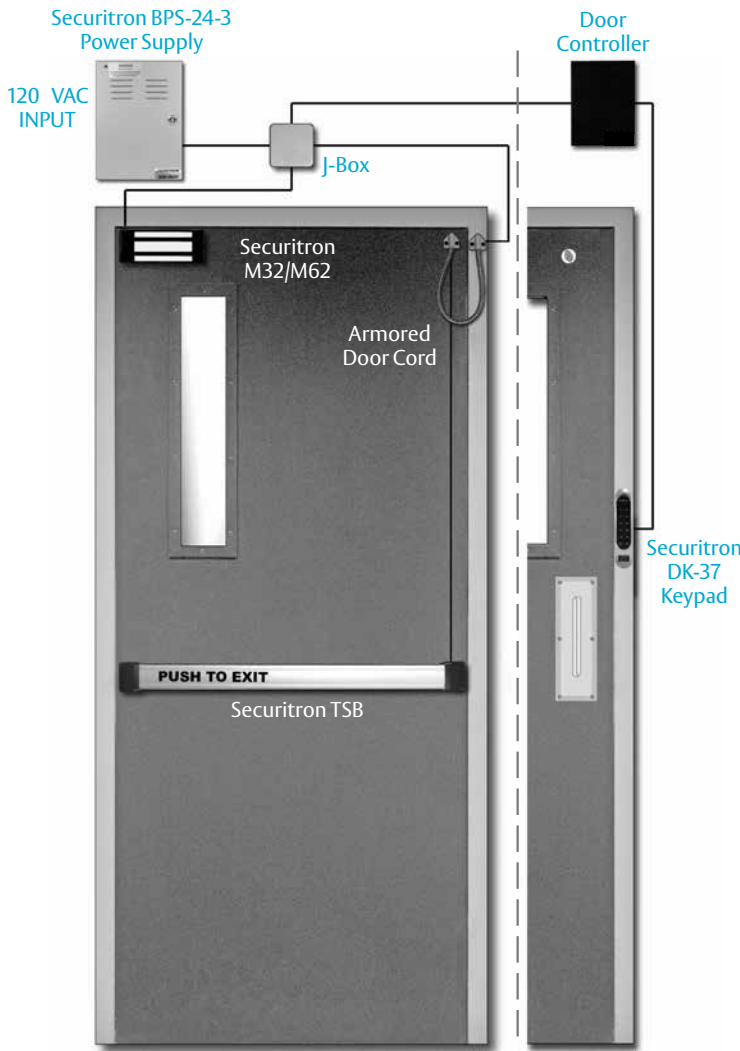
Outside Operation

The door is secured via the Securitron M62 Magnalock. Entry is permitted using an optional entry device which releases the magnetic lock.

System Components

Securitron M62 Magnalock	p.93
Securitron BPS-24-3 Power Supply	p. 193
Securitron TSB Touch Sense Bar	p. 185
Securitron DK-37 Digital Keypad	p. 161
Securitron TSB-C Door Cord*	p.232

*Door cord is included with the Securitron TSB Touch Sense Bar



Delayed Egress Magnetic Locking System

System Components

Securiton M62 Magnalock	p. 93
Securiton BPS-12/24-1 Power Supply	p. 193
Securiton TSB Touch Sense Bar	p. 185
Securiton DK-12 Digital Keypad	p. 155
Securiton MK Mortise Key switch	p.178
Securiton BA-XDT Exit Delay Timer	p.87
Securiton TSB-C Door Cord*	p.232

*Door cord is included with the TSB Touch Sense Bar

Use on exit doors where a 15 to 30 second delay is desirable before egress is allowed. This exit delay system is typically used to fight risk of loss by theft in retail sites, museums, libraries, etc. Exit delay technology is also an important safety consideration for hospitals and nursing homes as these facilities are often responsible for preventing unauthorized exit by patients under their supervision. This system meets NFPA life safety code 101 and all US/Canada model codes.

Inside Operation

The door is secured via the Magnalock. Egress without the alarm is accomplished using an optional bypass device. Emergency egress is accomplished when the BA-XDT is activated by pushing on the Securiton TSB bar which will initiate the exit delay cycle.

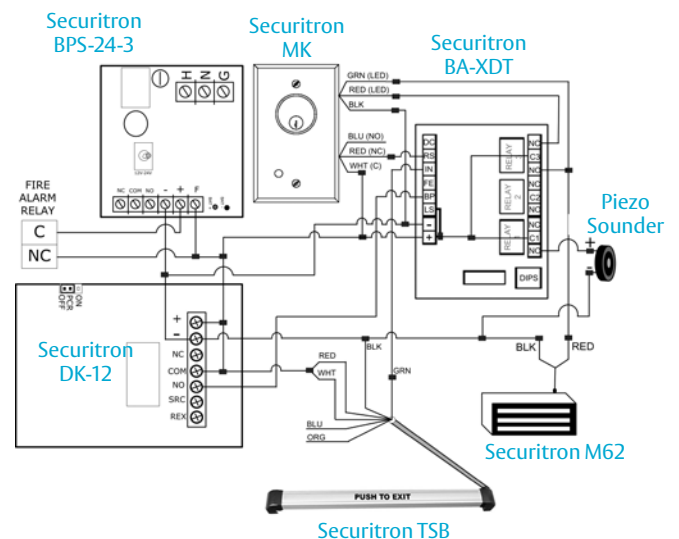
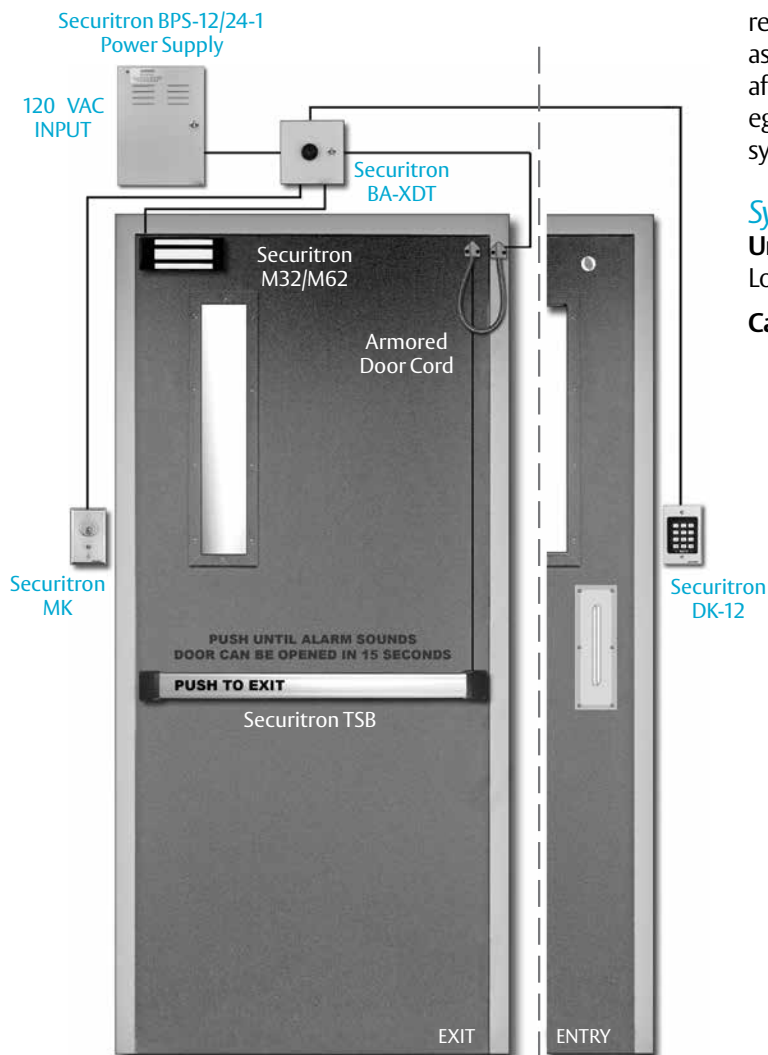
Outside Operation

The door is secured via the Securiton M62B Magnalock. Entry is permitted using an optional entry device which releases the magnetic lock and shunts the exit delay system as well as the alarm contacts. The Magnalock will release after the selected delay period has expired, allowing egress. The Magnalock will not resecure until the door system is reset using the Securiton MK Key switch.

System Approvals and Listings

Underwriter's Laboratories: FWAX Special Locking Arrangements File SA6635

California State Fire Marshal: 3774-0923:102



Store Front Magnetic Locking System

Use on any bi-directional exit door where free egress is permitted

Inside Operation

The door is secured via the SAM. Free egress is accomplished by pushing on the TSH which de-energizes the lock.

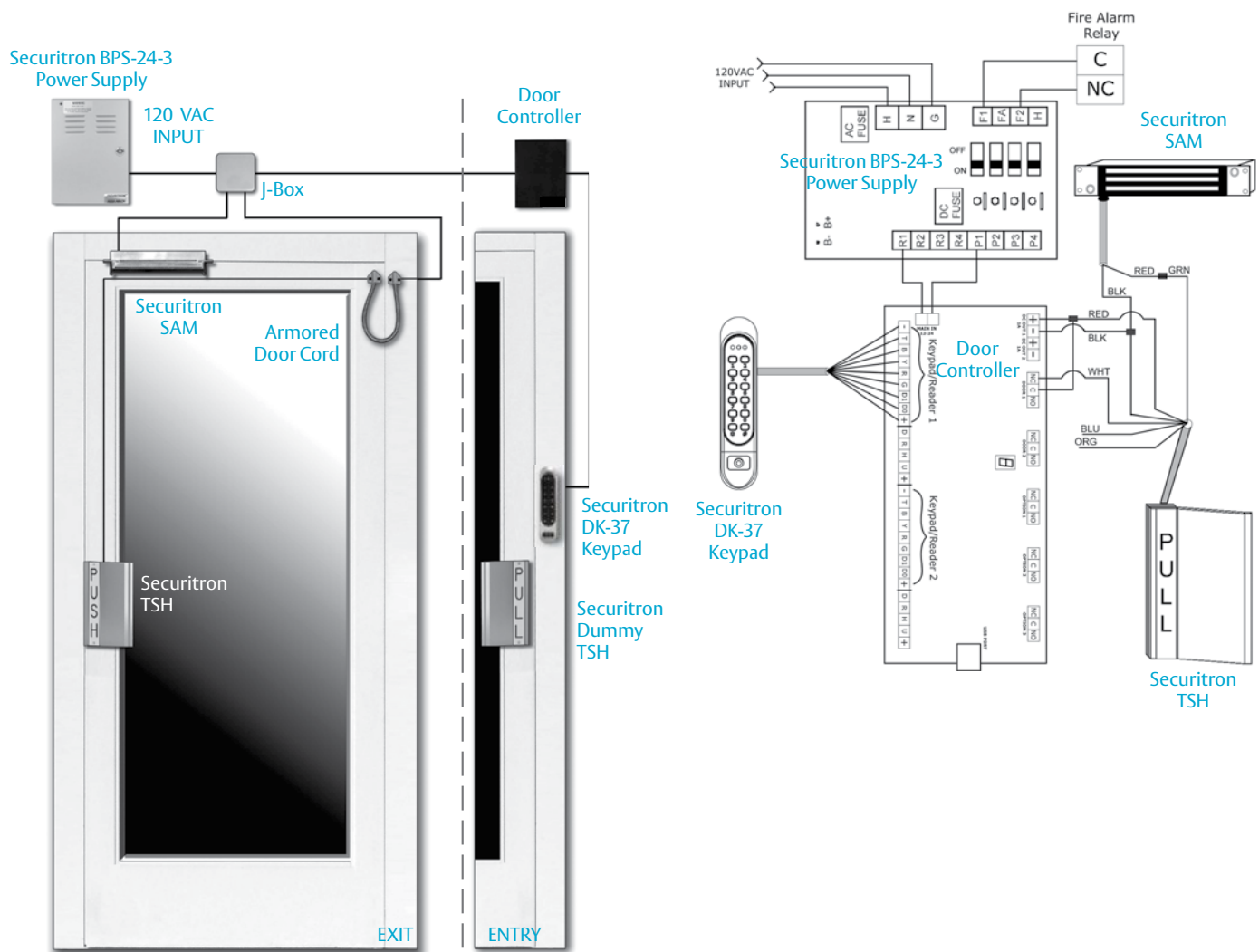
Outside Operation

The door is secured via the SAM Magnalock. Entry is permitted using an optional entry device which releases the magnetic lock.

System Components

Securiton SAM Shear Magnalock®	p. 112
Securiton BPS-24-3 Power Supply	p. 197
Securiton TSH Touch Sense Handle	p. 189
Securiton DTSH Dummy Touch Sense Handle	p. 189
Securiton DK-37 Digital Keypad	p. 163
Securiton TSB-C Door Cord*	p. 232

*Door cord is included with TSH Touch Sense Handle



Motion Activated Magnetic Locking System

Use on any interior or exterior access controlled egress security door

System Components

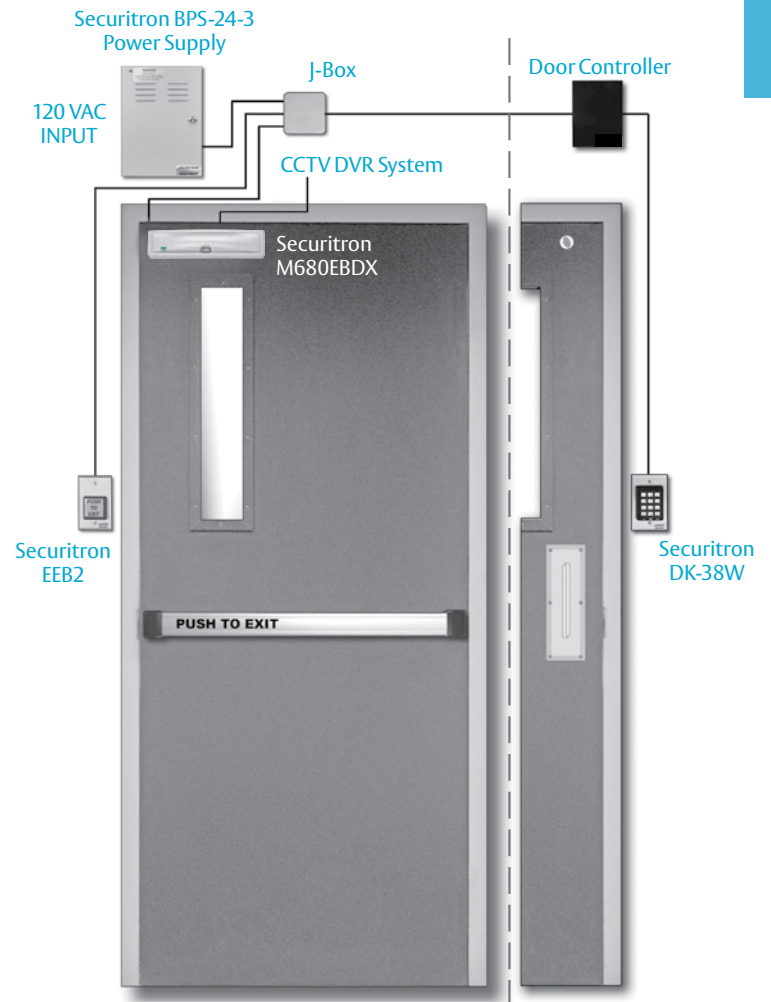
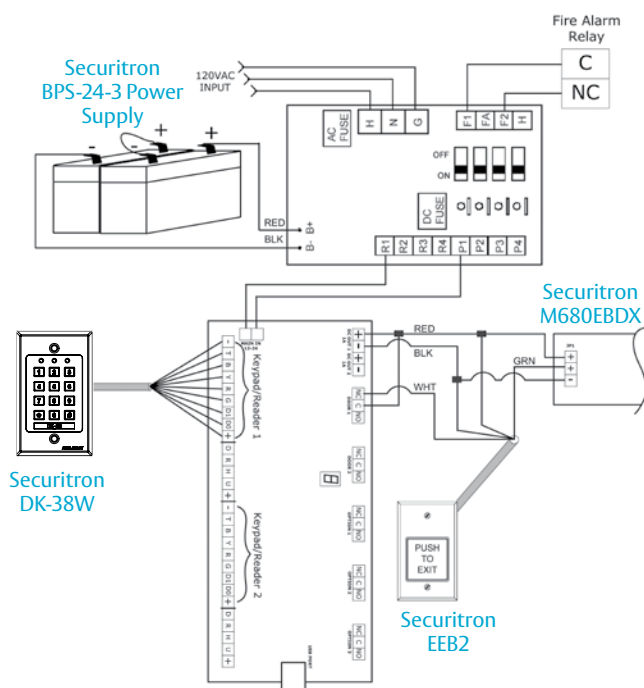
Securiton M680EBDX EcoMag®	p. 83
Securiton BPS-24-3 Power Supply	p. 197
Securiton EEB Emergency Exit Button	p. 170
Securiton DTSH Dummy Touch Sense Handle	p. 187
Securiton DK-38 Digital Keypad	p. 163
Securiton DTSB Dummy Touch Sense Bar	p. 185

Inside Operation

The door is secured via the Magnalock. Free egress is accomplished by activating the motion sensor or by pushing the emergency exit button. Both will de-energize the lock.

Outside Operation

The door is secured via the Securiton M680EBDX Magnalock. Entry is permitted using the keypad or optional entry device.



Glass Door Magnetic Locking System

Use on any full glass interior or exterior access controlled egress security door. The Securitron R100 surface mounted wireless reader with ASSA ABLOY Aperio® technology offers an aesthetically appealing way to extend access control to glass, stone, granite or marble entryways.

Inside Operation

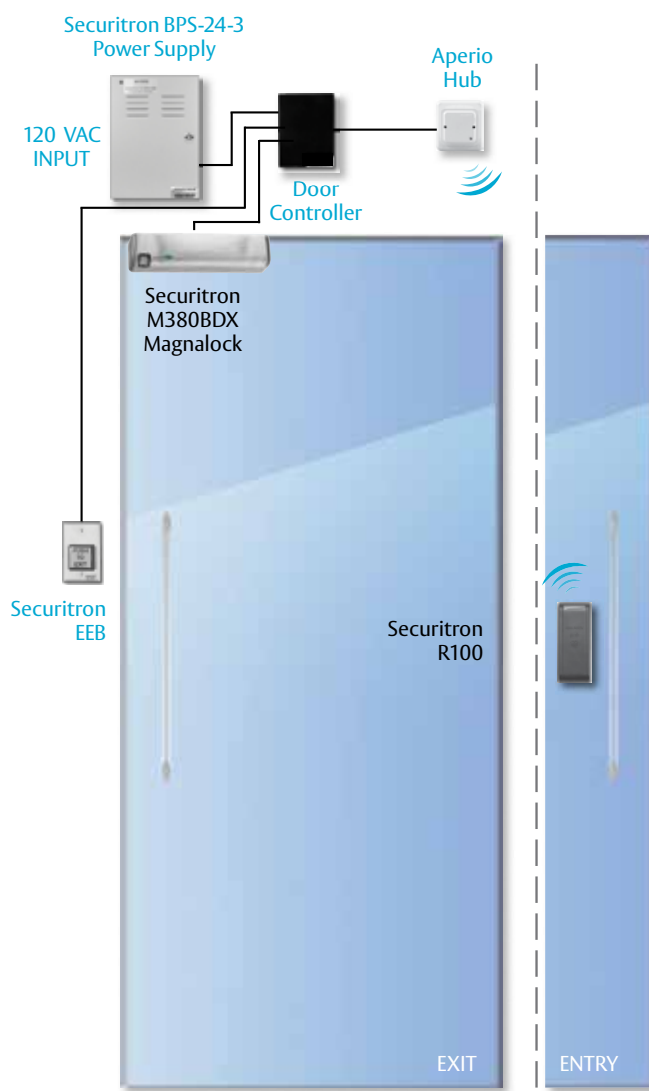
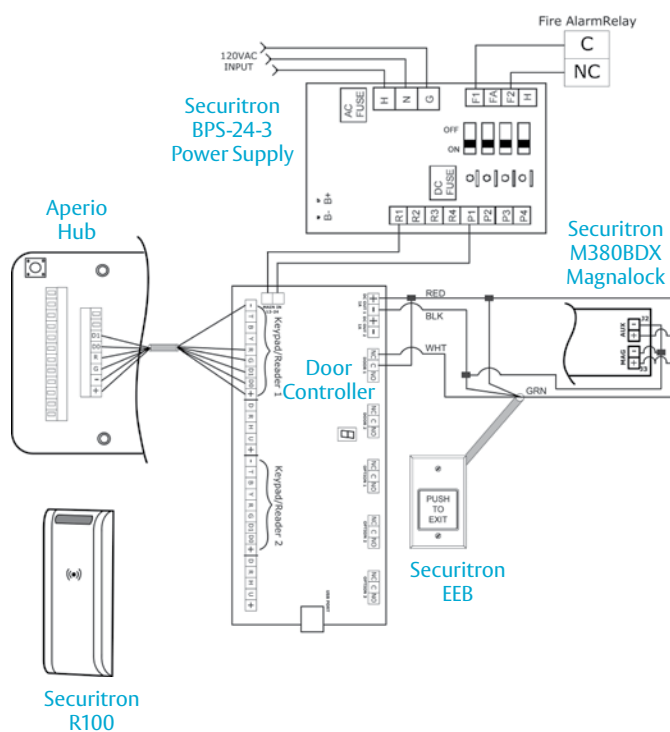
The door is secured via the Securitron M380BDX Magnalock adhered with Securitron's accessories for glass door installations. Free egress is accomplished by activating the Request to Exit or by pushing the emergency exit button. Both will de-energize the lock.

Outside Operation

To enter, an RFID credential is presented to the Securitron R100-H surface mount wireless reader. The door controller checks the credential and if it is approved, releases the Securitron M380BDX.

System Components

Securitron M380BDX Magnalock®	p. 81
Securitron BPS-24-3 Power Supply	p. 193
Securitron EEB Emergency Exit Button	p. 170
Securitron R100-1H	p. 165
Securitron Glass Mounting Components	p. 109



Gate Locking System

Use on any exterior access controlled security gate

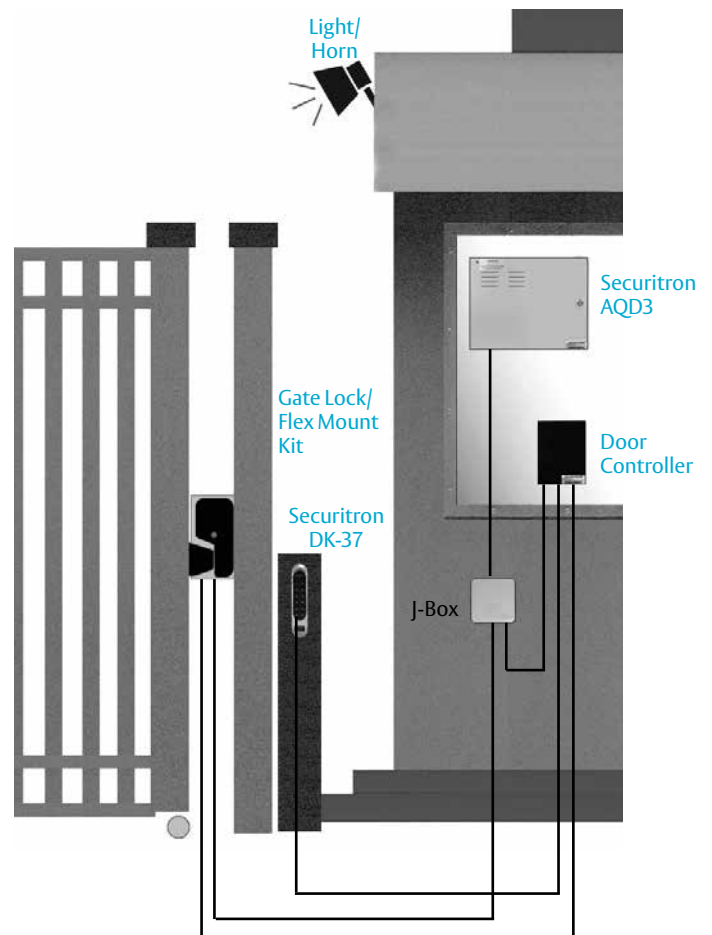
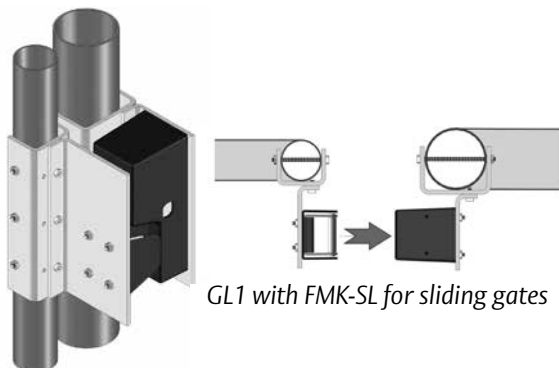
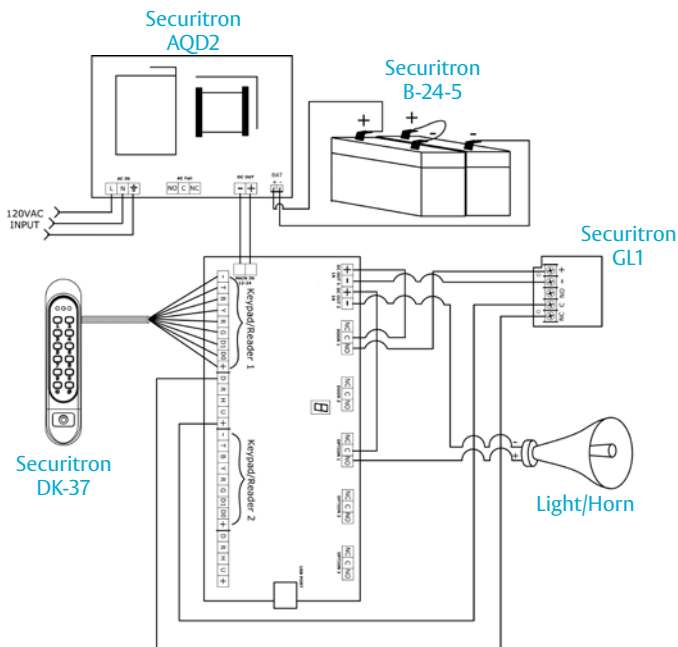
System Components

Securiton Gate Lock GL1-FS	p. 143
Securiton AQD2 Power Supply	p. 203
Securiton Flex Mounting Kit	p. 145
Securiton DK-37 Digital Keypad	p. 161
Securiton Battery B-24-5	p. 214

Maximize your Securiton gate locking system by pairing it with an Ameristar fence. ASSA ABLOY group brand Ameristar, based in Tulsa, Oklahoma, focuses on increasing strength and durability, enhancing the aesthetic appearance of modern fence products, and promoting ease of installation. Ameristar is known for producing the highest quality residential, commercial, industrial and high-end security fences in today's market place, including sites such as the Statue of Liberty, the 9/11 Memorial in New York City and the Dallas Cowboys Stadium.

Outside Operation

The gate is secured via the Securiton GL1 Gate Lock. Entry is permitted using the weatherproof keypad.



ASSA ABLOY Electronic Security Hardware Terms & Conditions

PRICES: All prices are subject to change without notice. Prices listed on the ASSA ABLOY Electronic Security Hardware website will serve as the most current list price. All shipments will be made at prices in effect at the time of shipment. The customer shall be responsible for payment of all applicable sales and/or use taxes and freight costs.

MINIMUM ORDER: Minimum product charge per invoice is \$150.00 USD.

PAYMENT TERMS: Net thirty (30) days from date of invoice. Interest at the rate of up to 1-1/2% per month may be charged on all past due accounts. An order received on an account which has not been paid within 45 days of the date of invoice may not be processed until the account is current. Custom orders may require a deposit.

DELIVERY TERMS: All prices are Ex-works factory. Purchaser assumes the risk of loss or damage to the goods while in transit from the point of shipment. ASSA ABLOY Electronic Security Hardware reserves the right to make delivery in installments. Installments shall be separately invoiced and paid for when due. Delay in delivery of an installment shall not relieve the purchaser of its obligation to accept remaining deliveries.

SHORTAGE: Any claim for shortages must be made to ASSA ABLOY Electronic Security Hardware in writing within one (1) week of receipt of merchandise.

WARRANTY RETURNS: A Customer Care Form (CCF) for defective product must be obtained from ASSA ABLOY Electronic Security Hardware before any merchandise can be returned. CCF's are valid for sixty (60) days from date of issuance. Goods returned under the terms of MagnaCare® and SecuriCare® Warranties may require a copy of the original invoice.

RETURNS: A Customer Care Form (CCF) must be obtained from ASSA ABLOY Electronic Security Hardware before any merchandise can be returned. CCF's are valid for sixty (60) days from date of issuance. Items that are not factory sealed, or that are returned later than 90 days from the date of receipt are subject to a restocking charge plus an additional charge for any damage.

CANCELLATIONS: Any order may be subject to a 5% cancellation charge for catalog items. Cancellation of non-catalog or custom items will be subject to a 20% cancellation charge plus all costs (both direct and indirect) incurred by manufacturing at the point of cancellation that are properly allocated to the cancelled item(s).

LIMITATION OF LIABILITY: Neither party will be liable to the other for any delay or failure in performance arising directly out of war, sabotage, insurrection, riot, and any other act of civil disobedience, act of public enemy, fire, explosion, flood, storm, or other act of God or nature, or similar cause beyond its reasonable control, including shortage or unavailability of labor or materials. If, notwithstanding the foregoing limitations, ASSA ABLOY Electronic Security Hardware has any liability to the purchaser, the purchaser agrees that the total liability to the purchaser for all losses, damages, and causes of action, whether in contract, equity, tort (including without limitation, negligence and gross negligence), or otherwise, will not exceed the amount the purchaser paid to ASSA ABLOY Electronic Security Hardware for the products (including, without limitation, incidental or consequential damages, damages for lost profits or business interruption, and punitive damages).

NO THIRD PARTY LIABILITY: If the purchaser uses the ASSA ABLOY Electronic Security Hardware Products on behalf of others or provides to others any products referenced herein, the ASSA ABLOY Electronic Security Hardware Parties shall have no liability to such persons whatsoever, and the purchaser agree to defend and indemnify the ASSA ABLOY Electronic Security Hardware Parties from any and all claims and demands asserted against them, and from any legal fees, costs and other expenses that the ASSA ABLOY Electronic Security Hardware Parties incur therewith.

Customers purchasing from Door Security Solutions Canada can find Canadian terms and conditions at assaabloydss.ca/terms

ASSA ABLOY Electronic Security Hardware Warranty Policy

In 1999 Securitron® introduced the first no-fault, no questions asked warranty to the industry, MagnaCare®. As a part of HES and Securitron's transition to ASSA ABLOY Electronic Security Hardware, we believe that the best products in the industry should be supported by our commitment to deliver the highest quality products and services. ASSA ABLOY Electronic Security Hardware is proud to now extend the most comprehensive no-fault, no questions asked warranty coverage to all of our products and solutions. This is our expectation and commitment to you – our valued customer.



MagnaCare Warranty

Duration: Lifetime
Condition: Any reason, including, but not limited to, installation error, vandalism or force majeure.

Replacement: Replacement product or equivalent shipped at ASSA ABLOY Electronic Security Hardware's expense via next day air freight in most cases.

Products Covered:

- Electromagnetic and Specialty Magnalocks
- Power Supplies (excluding BPSS) and Power Transfers
- Push Buttons, Keypads, Keyswitches and Egress Devices



SecuriCare 10-year Warranty

Duration: Ten years from date of shipment
Condition: Any reason including, but not limited to, installation error, vandalism or force majeure.

Replacement: Replacement product or equivalent shipped at ASSA ABLOY Electronic Security Hardware's expense via next day air freight in most cases.

Products Covered:

- HES 1500, 1600 Electric Strikes
- When installed with a HES Smart PAC III the following electric strikes are upgraded to the 10 year warranty:
 - HES 1006, 4500, 5000, 5200, 7500, 8000, 8300, 8500, 9400, 9500, 9600, 9700, 9800 Electric Strikes
 - HES Folger Adam 310, 712, 732, 742
 - Integrated Wiegand Electric Strikes



SecuriCare 5-year Warranty

Duration: Five years from date of shipment
Condition: Any reason including, but not limited to, installation error, vandalism or force majeure.

Replacement: Replacement product or equivalent shipped at ASSA ABLOY Electronic Security Hardware's expense via next day air freight in most cases.

Products Covered:

- HES 1006, 4500, 5000, 5200, 7500, 8000, 8300, 8500, 9400, 9500, 9600, 9700, 9800 Electric Strikes
- Folger Adam 310, 712, 732, 742 Electric Strikes
- Integrated Wiegand Electric Strikes
- Securitron MUNL, UNL Electric Strikes



SecuriCare 3-year Warranty

Duration: Three years from date of shipment
Condition: Any reason, including but not limited to installation error, vandalism or force majeure.

Replacement: Replacement product or equivalent shipped at ASSA ABLOY Electronic Security Hardware's expense via next day air freight in most cases.

Products Covered:

- Aperio® Wireless Products AS100, K100, KS100, R100
- HES 610, 660, K20, KP20 Cabinet Locks
- Integrated Wiegand Cabinet Locks HES K200, KS200
- BPSS Solar Power Supplies
- Accessories

ASSA ABLOY Electronic Security Hardware warranties apply to products shipped on or before January 1, 2018.

Check your individual product to determine warranty coverage. Batteries and consumables are not covered by ASSA ABLOY Electronic Security Hardware Warranty programs. Replacement products, at ASSA ABLOY Electronic Security Hardware's sole option, may be the identical item or a unit which serves as a functional replacement. If the customer has an account with ASSA ABLOY Electronic Security Hardware or a valid credit card, the customer may order an advance replacement product, whereby ASSA ABLOY Electronic Security Hardware will charge the customer's account for the price of the product plus next day air freight, and will credit back to the customer the full amount of the charge, including outbound freight, upon ASSA ABLOY Electronic Security Hardware's receipt of the original product from the customer. ASSA ABLOY Electronic Security Hardware's sole and exclusive liability, and customer's sole remedy, is limited to the replacement of the ASSA ABLOY Electronic Security Hardware product when delivered to ASSA ABLOY Electronic Security Hardware's facility (freight and insurance charges prepaid by customer).

Customers purchasing from Door Security Solutions Canada can find Canadian terms and conditions at assaabloy.ca/terms

Notes:

ASSA ABLOY is the global leader in door opening solutions, dedicated to satisfying end-user needs for security, safety and convenience



800.847.5625 | seclock.com

ASSA ABLOY

ELECTRONIC SECURITY HARDWARE

HES | Securitron

Patent pending and/or patent www.assaabloydss.com/patents

Copyright © 2019, Hanchett Entry Systems, Inc., an ASSA ABLOY Group company. All rights reserved. Reproduction in whole or in part without the express written permission of Hanchett Entry Systems, Inc. is prohibited. ESH-046-1118-SLD