

# SARGENT®

## ASSA ABLOY

# 11 Line Parts Manual



For assistance, contact SARGENT at  
800-727-5477 or [www.sargentlock.com](http://www.sargentlock.com)

**WARNING**  
This product can expose you to lead which is known to the state of California to cause cancer and birth defects or other reproductive harm. For more information go to [www.P65warnings.ca.gov](http://www.P65warnings.ca.gov).

08/2018

A8252B 3/19

Table of Contents..... 2

Function Descriptions ..... 3-5

11G04 Storeroom or Closet..... 6

11G05 Entrance or Office..... 7

11G24 Entrance or Office..... 8

11G37 Classroom..... 9

11G44 Service Station..... 10

11G50 Hotel, Dormitory or Apartment..... 11

11G54 Corridor..... 12

11G16 Classroom, Security, Apartment, Exit, Privacy..... 13

11G17 Utility, Asylum or Institutional..... 14

11G30 Communicating ..... 15

11G38 Classroom Security Intruder ..... 16

11G13 Exit..... 17

11U15 Passage ..... 18

11G15-3 Exit or Communicating ..... 19

11U65 Privacy/Bathroom..... 20

11U68 Hospital Privacy..... 21

11U93 Single Lever Pull ..... 22

11U94 Double Lever Pull..... 23

11U94-2 Double Lever Pull ..... 24

Sleeve Assemblies ..... 25-27

Bearing and Lock Body Assemblies ..... 28

Latch Assemblies ..... 29

Standard Levers and Components..... 30

Rose Assemblies ..... 31

Strikes ..... 32

Cylinders..... 33

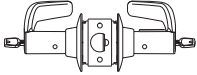
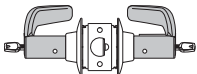
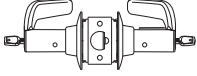
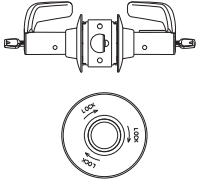
Miscellaneous Parts ..... 34


Single Cylinder Functions						
Inside	Outside	Series/ Function	Type	ANSI No.	Function Description	Page Number
		11G04	Storeroom or Closet	F86	<ul style="list-style-type: none"> <li>• Deadlocking latch</li> <li>• Latchbolt by lever inside or key outside</li> <li>• Outside lever rigid at all times</li> </ul>	6
		11G05	Entrance or Office	F81	<ul style="list-style-type: none"> <li>• Deadlocking latch</li> <li>• Latchbolt by either lever unless outside lever is locked by push/turn button in inside lever</li> <li>• Turn button must be released manually</li> <li>• Key only retracts latchbolt when outside lever is locked</li> </ul>	7
		11G24	Entrance or Office	F82	<ul style="list-style-type: none"> <li>• Deadlocking latch</li> <li>• Latchbolt by either lever unless outside lever is locked by push button in inside lever</li> <li>• Push button released by key or turning inside lever</li> <li>• Closing door does not unlock outside lever or release button</li> </ul>	8
		11G37	Classroom	F84	<ul style="list-style-type: none"> <li>• Deadlocking latch</li> <li>• Latchbolt by either lever unless outside lever is locked by key</li> <li>• Key in outside lever locks or unlocks outside lever</li> <li>• Inside lever always operative</li> </ul>	9
		11G44	Service Station	F92	<ul style="list-style-type: none"> <li>• Deadlocking latch</li> <li>• Latchbolt by either lever unless outside lever is locked by push button of inside lever</li> <li>• Key retracts latchbolt when outside lever is locked</li> <li>• Push button will not depress unless door is in closed position</li> <li>• Push button released by turning inside lever or by key in outside lever unless push button is fixed in locked position by turning coin slot in inside lever</li> </ul>	10
		11G50	Hotel, Dormitory or Apartment	F93	<ul style="list-style-type: none"> <li>• Deadlocking latch</li> <li>• Latchbolt by key outside and lever inside</li> <li>• Outside lever always rigid</li> <li>• Depressing push button when door is closed shuts out all keys except emergency key and projects visual occupancy indicator in cylinder face</li> <li>• Push button will not depress unless door is closed in position</li> <li>• Push button released by turning inside lever automatically reactivating all keys and retracting visual occupancy indicator</li> <li>• Lock out key fixes push button in locked position, shutting out all keys except emergency</li> <li>• Lock out key must be ordered separately (10-0042).</li> </ul>	11
		11G54	Corridor	F90	<ul style="list-style-type: none"> <li>• Deadlocking latch</li> <li>• Latchbolt by either lever unless outside lever is locked by push button inside or key outside</li> <li>• Rotating inside lever releases button</li> <li>• Push button will not depress unless door is in closed position</li> <li>• Key outside locks or unlocks outside lever and releases inside button</li> </ul>	12

Shaded lever indicates it is rigid at all times.

The warranty on SARGENT® products becomes void if the product is modified in any way, regardless of whether the modification causes or contributes to any alleged defect. If a SARGENT product is modified it may no longer meet industry certification and quality control standards applicable to the original product and is no longer a genuine SARGENT product.

Copyright ©2018-2019 Sargent Manufacturing Company, an ASSA ABLOY Group company. All rights reserved. Reproduction in whole or in part without the express written permission of Sargent Manufacturing Company is prohibited.

Double Cylinder Functions						
Inside	Outside	Series/ Function	Type	ANSI No.	Function Description	Page Number
		11G16	Classroom, Security, Apartment, Exit, Privacy	F88	<ul style="list-style-type: none"> <li>• Deadlocking latch</li> <li>• Latchbolt by either lever unless outside lever is locked by key in inside lever</li> <li>• Key in outside lever only retracts latchbolt when outside lever is locked</li> </ul>	13
		11G17	Utility, Asylum or Institutional	F87	<ul style="list-style-type: none"> <li>• Deadlocking latch</li> <li>• Both levers rigid at all times</li> <li>• Latchbolt by key either side</li> <li>• Use only on rooms with more than one exit</li> </ul>	14
		11G30	Communicating	F80	<ul style="list-style-type: none"> <li>• Deadlocking latch</li> <li>• Latchbolt by either lever</li> <li>• Key in either lever locks or unlocks its own lever only</li> <li>• Use only on rooms with more than one exit</li> </ul>	15
		11G38	Classroom Security Intruder	—	<ul style="list-style-type: none"> <li>• Deadlocking latch</li> <li>• Latchbolt by either lever unless outside lever is locked by key</li> <li>• Key in either lever locks or unlocks outside lever</li> <li>• When inside key locks the outside lever only the inside key can unlock the outside lever. The outside key only retracts the latchbolt until outside lever is unlocked by inside key</li> <li>• Inside lever always operable</li> <li>• Locking direction indicated on inside rose standard with this function. Available on rose designs E, L and O</li> </ul>	16

 Shaded lever indicates it is rigid at all times.

Non-Cylinder Functions						
Inside	Outside	Series/ Function	Type	ANSI No.	Function Description	Page Number
		11G13	Exit	F89	<ul style="list-style-type: none"> <li>• Deadlocking latch</li> <li>• Latchbolt by inside lever</li> <li>• Outside lever rigid at all times</li> </ul>	17
		11U15	Passage	F75	<ul style="list-style-type: none"> <li>• Latchbolt by either lever</li> </ul>	18
		11G15-3	Exit or Communicating	—	<ul style="list-style-type: none"> <li>• Deadlocking latch</li> <li>• Blank rose outside</li> <li>• Latchbolt by lever inside</li> <li>• Minimum clearance of 1-1/4" (32mm) required between doors</li> </ul>	19
		11U65	Privacy/Bathroom	F76A	<ul style="list-style-type: none"> <li>• Latchbolt by either lever unless outside lever is locked by push button in inside lever</li> <li>• Turning inside lever or closing door releases button</li> <li>• Emergency button in outside lever unlocks, with use of a blade screw driver in outside lever and releases inside button</li> <li>• Emergency key supplied only when ordered separately (14-0057)</li> </ul>	20
		11U68	Hospital Privacy	—	<ul style="list-style-type: none"> <li>• Latch by either lever unless outside lever is locked by push button in inside lever</li> <li>• Turning inside lever or closing door releases button</li> <li>• Rotating thumbturn in outside lever unlocks the outside lever and releases the inside button</li> <li>• Not available in the "J" lever design</li> </ul>	21
		11U93	Single Lever Pull	—	<ul style="list-style-type: none"> <li>• For wood or custom hollow metal doors</li> <li>• Lever and rose attached by through-bolt and four surface applied screws (hidden)</li> <li>• Requires 5/16" (8mm) diameter hole</li> </ul>	22
		11U94	Double Lever Pull	—	<ul style="list-style-type: none"> <li>• For wood or custom hollow metal doors</li> <li>• Lever and rose both sides joined by one through-bolt and four surface applied screws each side (hidden)</li> <li>• Requires special door preparation – see template</li> </ul>	23
		11U94-2	Double Lever Pull	—	<ul style="list-style-type: none"> <li>• Lever and rose both sides joined by aligning tube and latchbolt tube</li> <li>• Dummy latch plate</li> </ul>	24

Shaded lever indicates it is rigid at all times.

The warranty on SARGENT® products becomes void if the product is modified in any way, regardless of whether the modification causes or contributes to any alleged defect. If a SARGENT product is modified it may no longer meet industry certification and quality control standards applicable to the original product and is no longer a genuine SARGENT product.

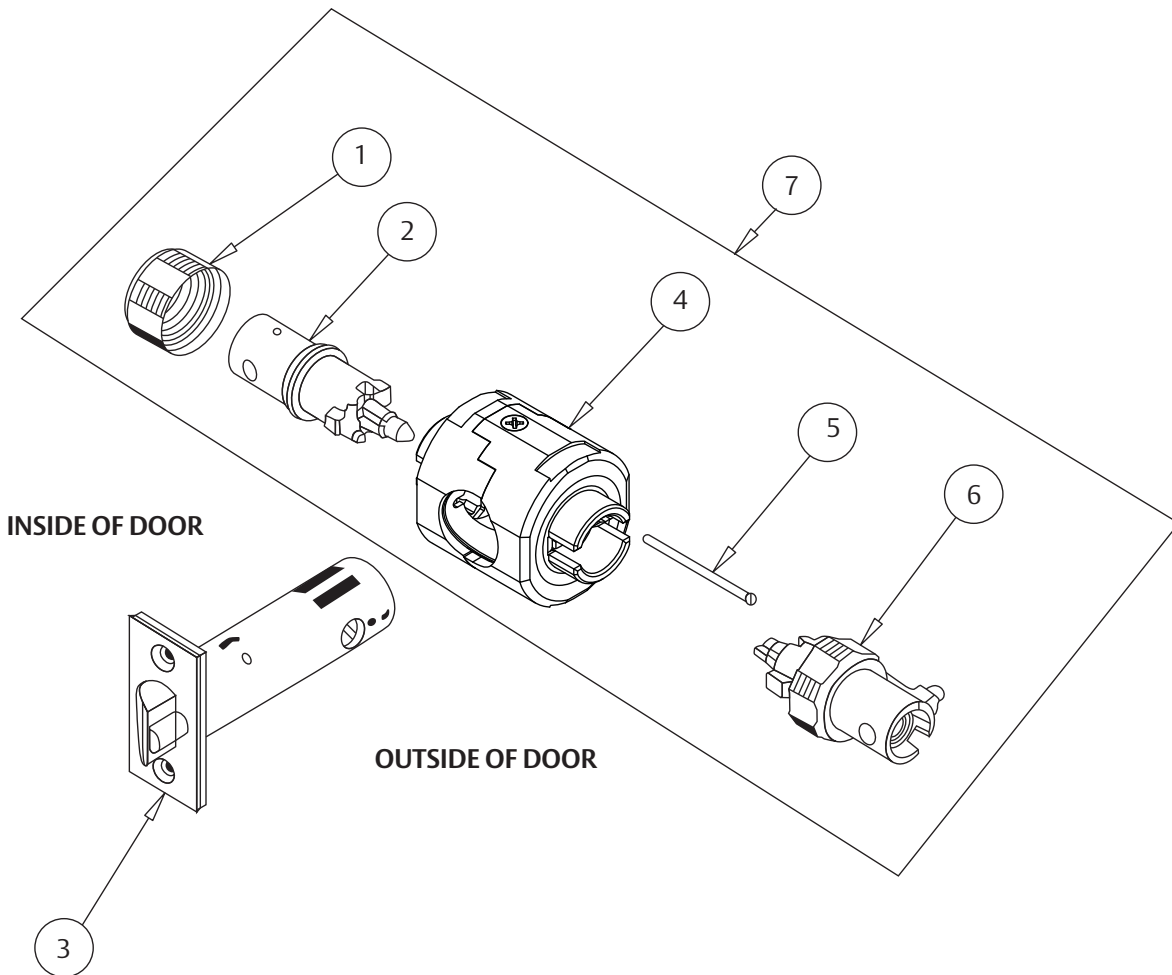
Copyright ©2018-2019 Sargent Manufacturing Company, an ASSA ABLOY Group company. All rights reserved. Reproduction in whole or in part without the express written permission of Sargent Manufacturing Company is prohibited.

Item	Part Number	Description	Quantity
1	11-0031	Inside Collar	1
2	11-2151	Non-Locking Sleeve Assembly	1
3	*11-2106	Latch Assembly, B	1
4	11-2899	Bearing Assembly	1
5	11-0394	Aligning Pin	1
6	11-2009	Locking Sleeve Assembly	1
7	11-2294	Lock Body Assembly	1

\* Specify Finish

Notes:

- Part numbers listed are for 1-3/4" thick doors. Consult factory for part numbers associated with non-standard doors.
- Part numbers listed are for standard cylinder and latch configurations. For other options, see pages 25-29.
- For lever and rose options, see pages 30-31.



A8252:B 3/19

The warranty on SARGENT® products becomes void if the product is modified in any way, regardless of whether the modification causes or contributes to any alleged defect. If a SARGENT product is modified it may no longer meet industry certification and quality control standards applicable to the original product and is no longer a genuine SARGENT product.

Copyright ©2018-2019 Sargent Manufacturing Company, an ASSA ABLOY Group company. All rights reserved. Reproduction in whole or in part without the express written permission of Sargent Manufacturing Company is prohibited.

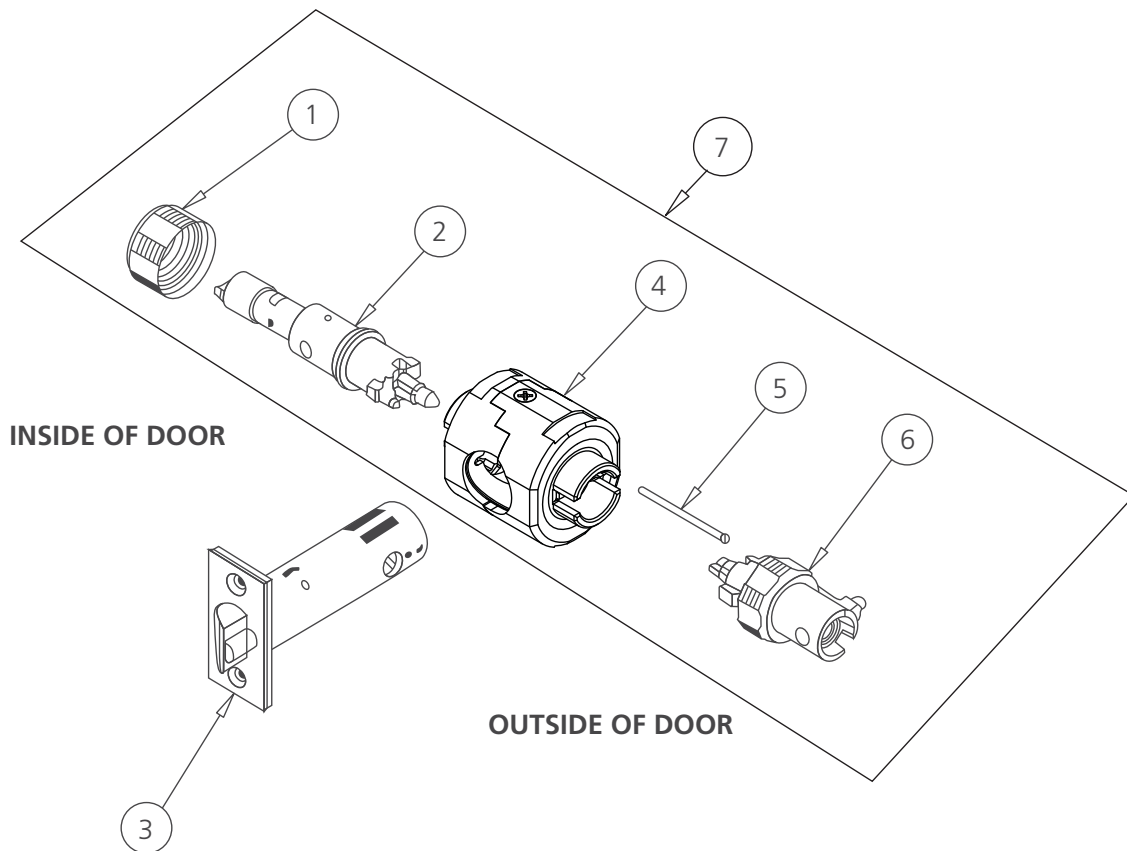
ASSA ABLOY, the global leader in door opening solutions

Item	Part Number	Description	Quantity
1	11-0031	Inside Collar	1
2	*11-2152	Non-Locking Sleeve Assembly	1
3	*11-2106	Latch Assembly, B	1
4	11-2899	Bearing Assembly	1
5	11-0394	Aligning Pin	1
6	11-2009	Locking Sleeve Assembly	1
7	11-2295	Lock Body Assembly	1

\* Specify Finish

Notes:

- Part numbers listed are for 1-3/4" thick doors. Consult factory for part numbers associated with non-standard doors.
- Part numbers listed are for standard cylinder and latch configurations. For other options, see pages 25-29.
- For lever and rose options, see pages 30-31.



The warranty on SARGENT® products becomes void if the product is modified in any way, regardless of whether the modification causes or contributes to any alleged defect. If a SARGENT product is modified it may no longer meet industry certification and quality control standards applicable to the original product and is no longer a genuine SARGENT product.

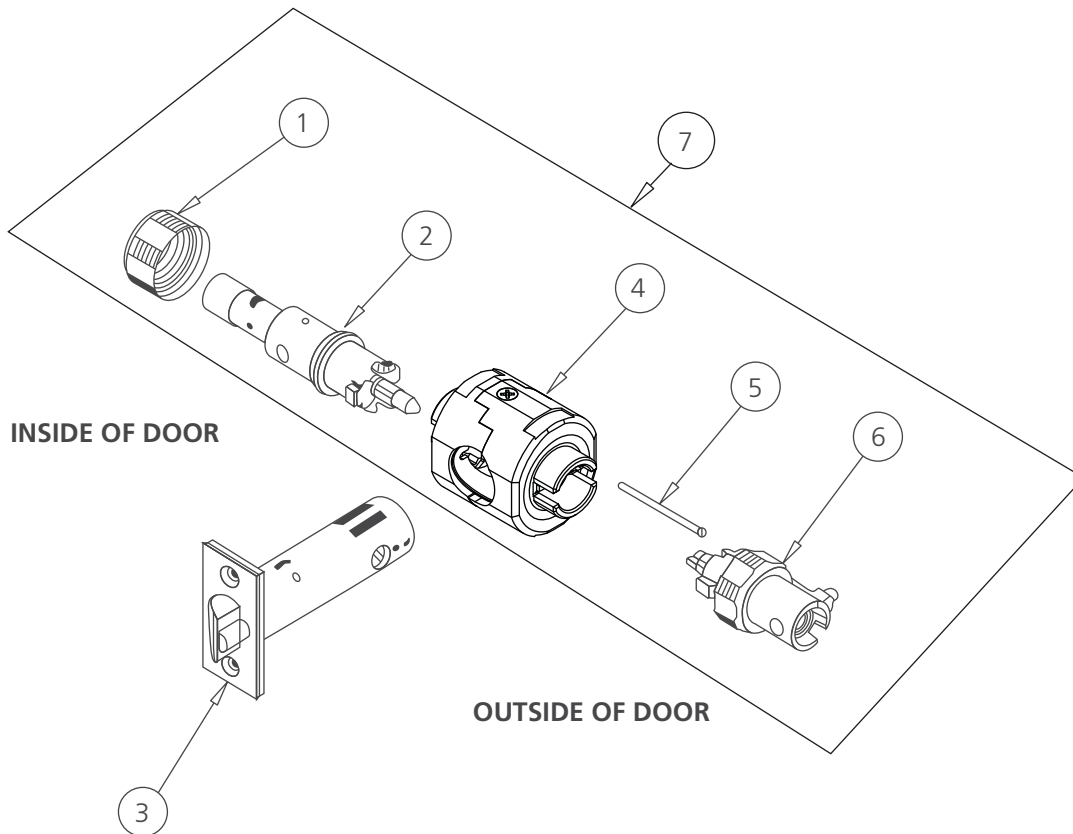
Copyright ©2018-2019 Sargent Manufacturing Company, an ASSA ABLOY Group company. All rights reserved. Reproduction in whole or in part without the express written permission of Sargent Manufacturing Company is prohibited.

Item	Part Number	Description	Quantity
1	11-0031	Inside Collar	1
2	*11-2157	Non-Locking Sleeve Assembly	1
3	*11-2108	Latch Assembly, K	1
4	11-2899	Bearing Assembly	1
5	11-0394	Aligning Pin	1
6	11-2909	Locking Sleeve Assembly	1
7	11-2301	Lock Body Assembly	1

\*Specify Finish

Notes:

- Part numbers listed are for 1-3/4" thick doors. Consult factory for part numbers associated with non-standard doors.
- Part numbers listed are for standard cylinder and latch configurations. For other options, see pages 25-29.
- For lever and rose options, see pages 30-31.



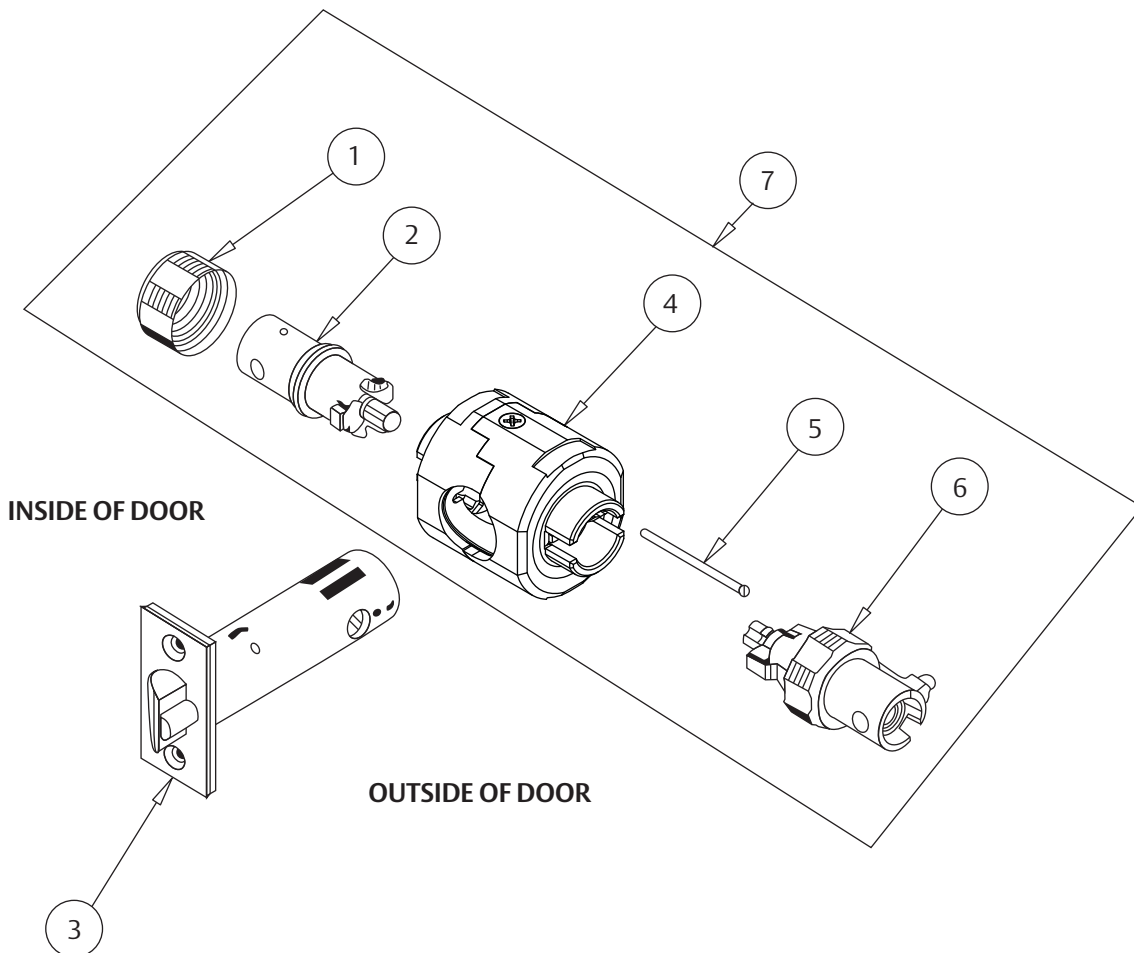


Item	Part Number	Description	Quantity
1	11-0031	Inside Collar	1
2	11-2153	Locking Sleeve Assembly	1
3	*11-2106	Latch Assembly, B	1
4	11-2899	Bearing Assembly	1
5	11-0394	Aligning Pin	1
6	11-2014	Locking Sleeve Assembly	1
7	11-2304	Lock Body Assembly	1

\* Specify Finish

Notes:

- Part numbers listed are for 1-3/4" thick doors. Consult factory for part numbers associated with non-standard doors.
- Part numbers listed are for standard cylinder and latch configurations. For other options, see pages 25-29.
- For lever and rose options, see pages 30-31.



The warranty on SARGENT® products becomes void if the product is modified in any way, regardless of whether the modification causes or contributes to any alleged defect. If a SARGENT product is modified it may no longer meet industry certification and quality control standards applicable to the original product and is no longer a genuine SARGENT product.

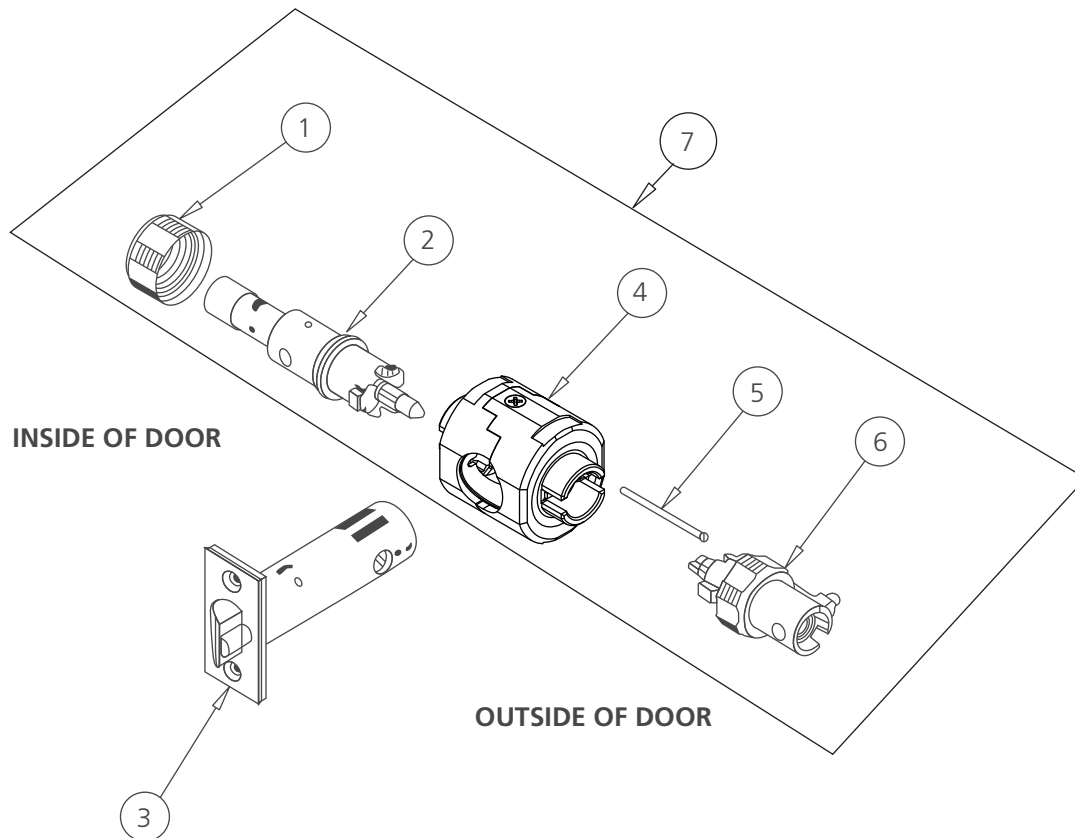
Copyright ©2018-2019 Sargent Manufacturing Company, an ASSA ABLOY Group company. All rights reserved. Reproduction in whole or in part without the express written permission of Sargent Manufacturing Company is prohibited.

Item	Part Number	Description	Quantity
1	11-0031	Inside Collar	1
2	*11-2154	Non-Locking Sleeve Assembly	1
3	*11-2110	Latch Assembly, D	1
4	11-2899	Bearing Assembly	1
5	11-0394	Aligning Pin	1
6	11-2009	Locking Sleeve Assembly	1
7	11-2305	Lock Body Assembly	1

\* Specify Finish

Notes:

- Part numbers listed are for 1-3/4" thick doors. Consult factory for part numbers associated with non-standard doors.
- Part numbers listed are for standard cylinder and latch configurations. For other options, see pages 25-29.
- For lever and rose options, see pages 30-31.

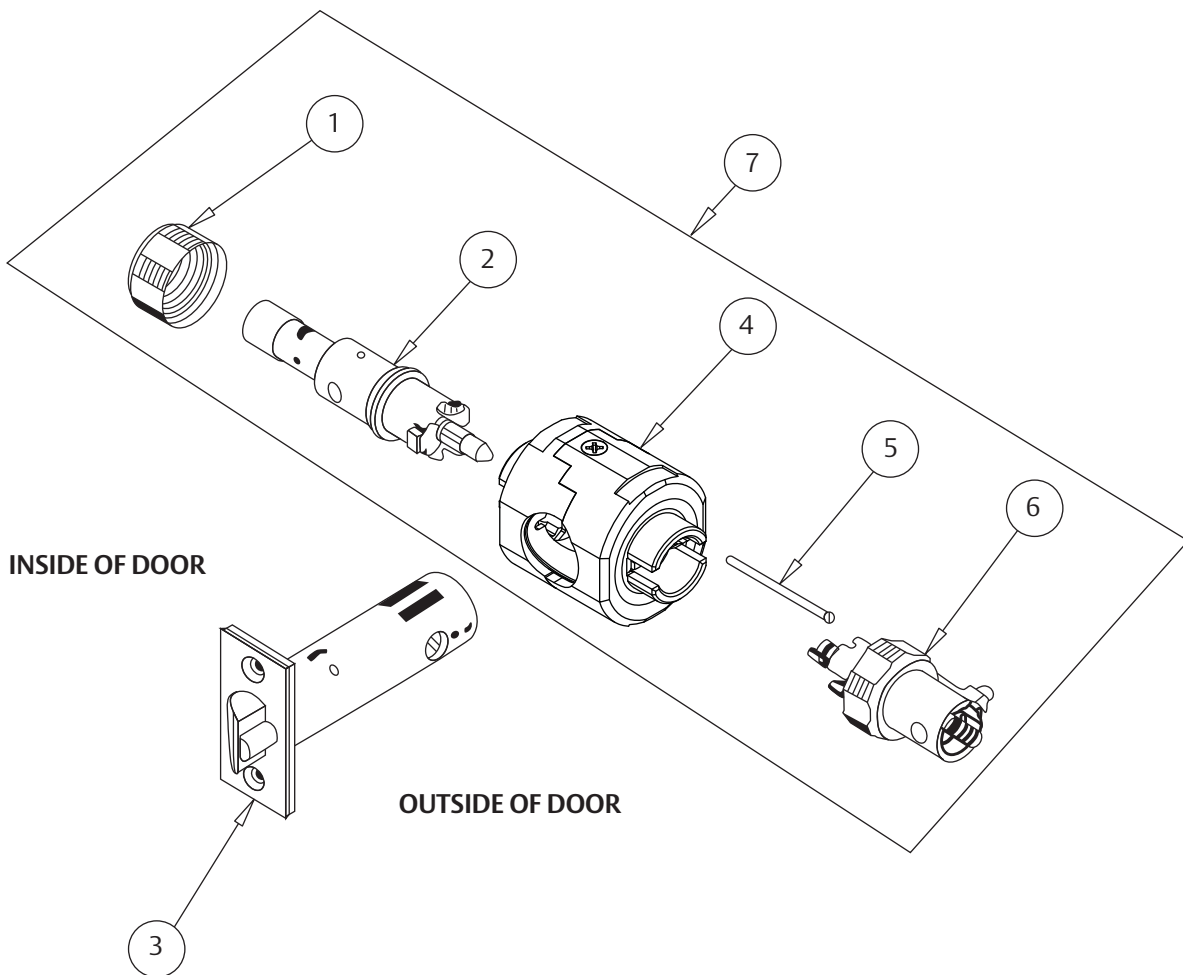


Item	Part Number	Description	Quantity
1	11-0031	Inside Collar	1
2	*11-2155	Non-Locking Sleeve Assembly	1
3	*11-2110	Latch Assembly, D	1
4	11-2899	Bearing Assembly	1
5	11-0394	Aligning Pin	1
6	11-2016	Locking Sleeve Assembly	1
7	11-2306	Lock Body Assembly	1

\*Specify Finish

Notes:

- Part numbers listed are for 1-3/4" thick doors. Consult factory for part numbers associated with non-standard doors.
- Part numbers listed are for standard cylinder and latch configurations. For other options, see pages 25-29.
- For lever and rose options, see pages 30-31.



The warranty on SARGENT® products becomes void if the product is modified in any way, regardless of whether the modification causes or contributes to any alleged defect. If a SARGENT product is modified it may no longer meet industry certification and quality control standards applicable to the original product and is no longer a genuine SARGENT product.

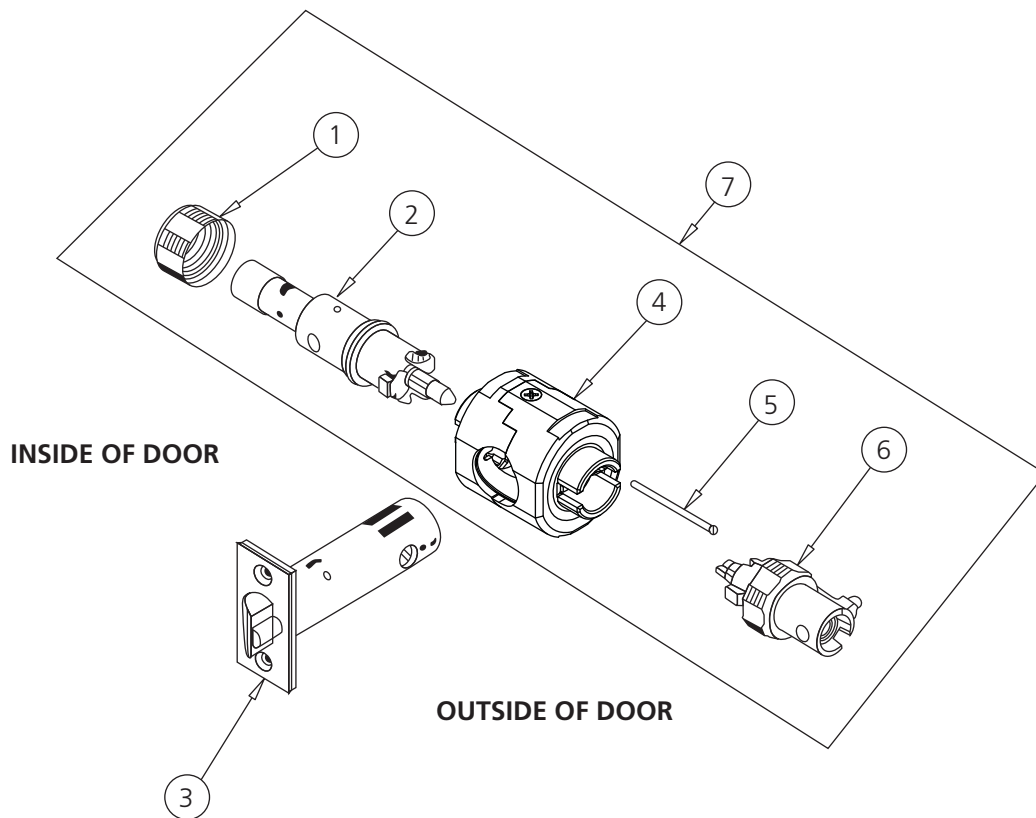
Copyright ©2018-2019 Sargent Manufacturing Company, an ASSA ABLOY Group company. All rights reserved. Reproduction in whole or in part without the express written permission of Sargent Manufacturing Company is prohibited.

Item	Part Number	Description	Quantity
1	11-0031	Inside Collar	1
2	*11-2156	Non-Locking Sleeve Assembly	1
3	*11-2110	Latch Assembly, B	1
4	11-2899	Bearing Assembly	1
5	11-0394	Aligning Pin	1
6	11-2017	Locking Sleeve Assembly	1
7	11-2307	Lock Body Assembly	1

\* Specify Finish

Notes:

- Part numbers listed are for 1-3/4" thick doors. Consult factory for part numbers associated with non-standard doors.
- Part numbers listed are for standard cylinder and latch configurations. For other options, see pages 25-29.
- For lever and rose options, see pages 30-31.

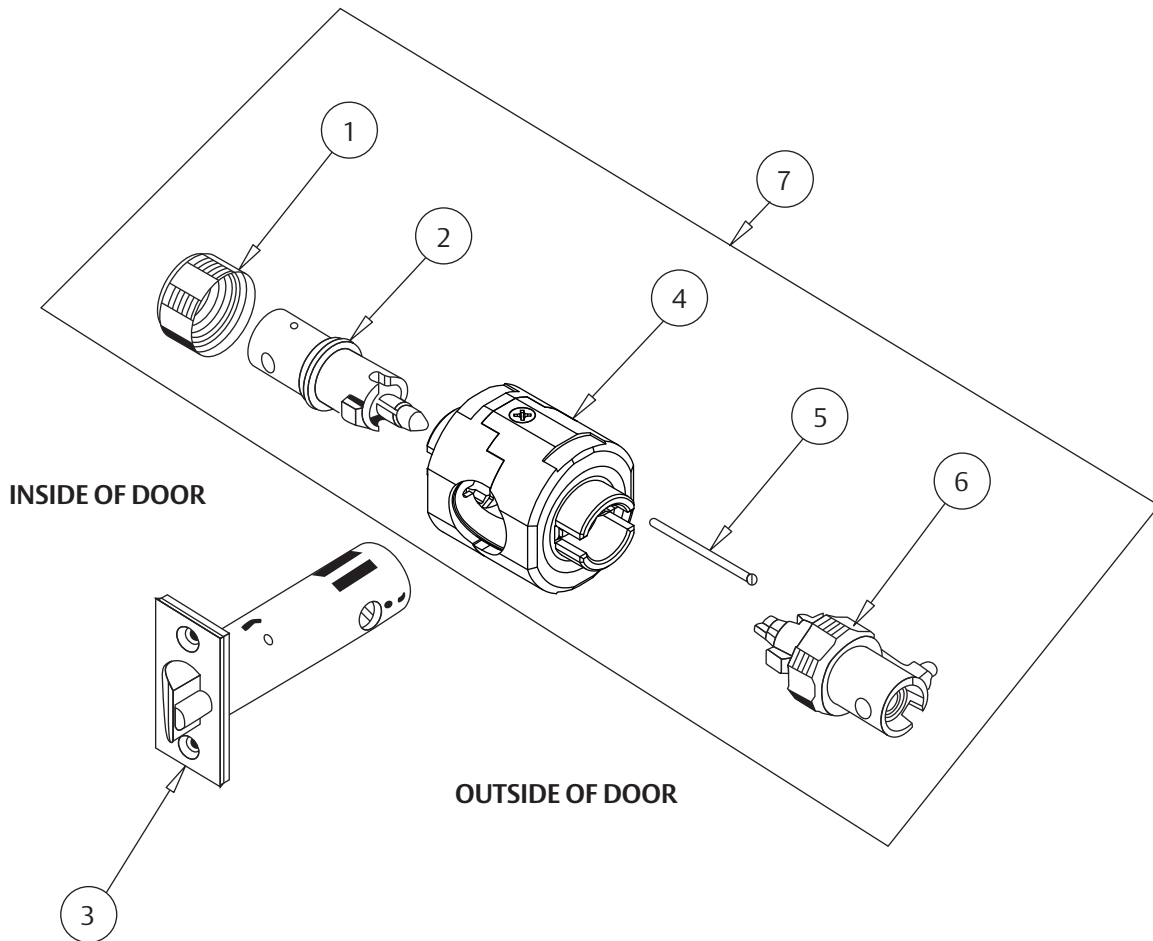


Item	Part Number	Description	Quantity
1	11-0031	Inside Collar	1
2	11-2011	Locking Sleeve Assembly	1
3	*11-2106	Latch Assembly, B	1
4	11-2899	Bearing Assembly	1
5	11-0394	Aligning Pin	2
6	11-2009	Locking Sleeve Assembly	1
7	11-2299	Lock Body Assembly	1

\* Specify Finish

Notes:

- Part numbers listed are for 1-3/4" thick doors. Consult factory for part numbers associated with non-standard doors.
- Part numbers listed are for standard cylinder and latch configurations. For other options, see pages 25-29.
- For lever and rose options, see pages 30-31.



The warranty on SARGENT® products becomes void if the product is modified in any way, regardless of whether the modification causes or contributes to any alleged defect. If a SARGENT product is modified it may no longer meet industry certification and quality control standards applicable to the original product and is no longer a genuine SARGENT product.

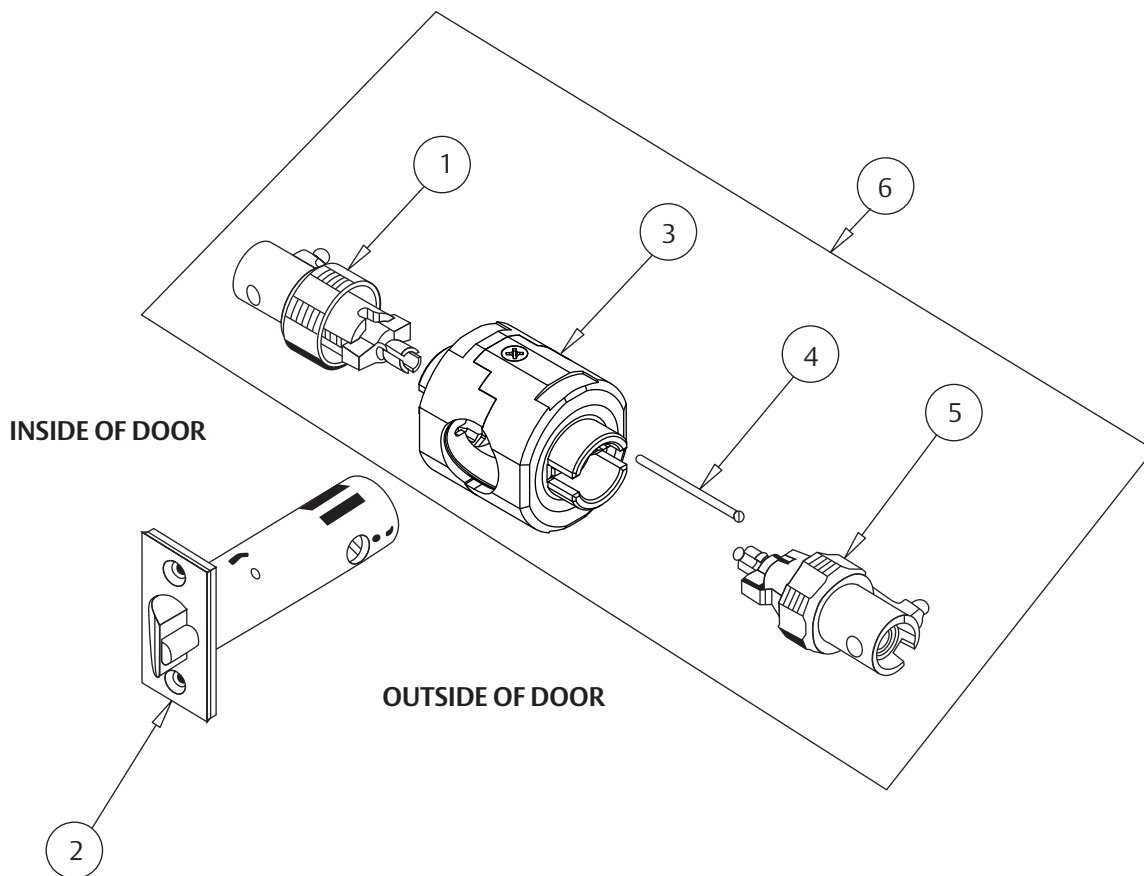
Copyright ©2018-2019 Sargent Manufacturing Company, an ASSA ABLOY Group company. All rights reserved. Reproduction in whole or in part without the express written permission of Sargent Manufacturing Company is prohibited.

Item	Part Number	Description	Quantity
1	11-2013	Locking Sleeve Assembly	1
2	*11-2106	Latch Assembly, B	1
3	11-2899	Bearing Assembly	1
4	11-0394	Aligning Pin	1
5	11-2012	Locking Sleeve Assembly	1
6	11-2300	Lock Body Assembly	1

\* Specify Finish

Notes:

- Part numbers listed are for 1-3/4" thick doors. Consult factory for part numbers associated with non-standard doors.
- Part numbers listed are for standard cylinder and latch configurations. For other options, see pages 25-29.
- For lever and rose options, see pages 30-31.

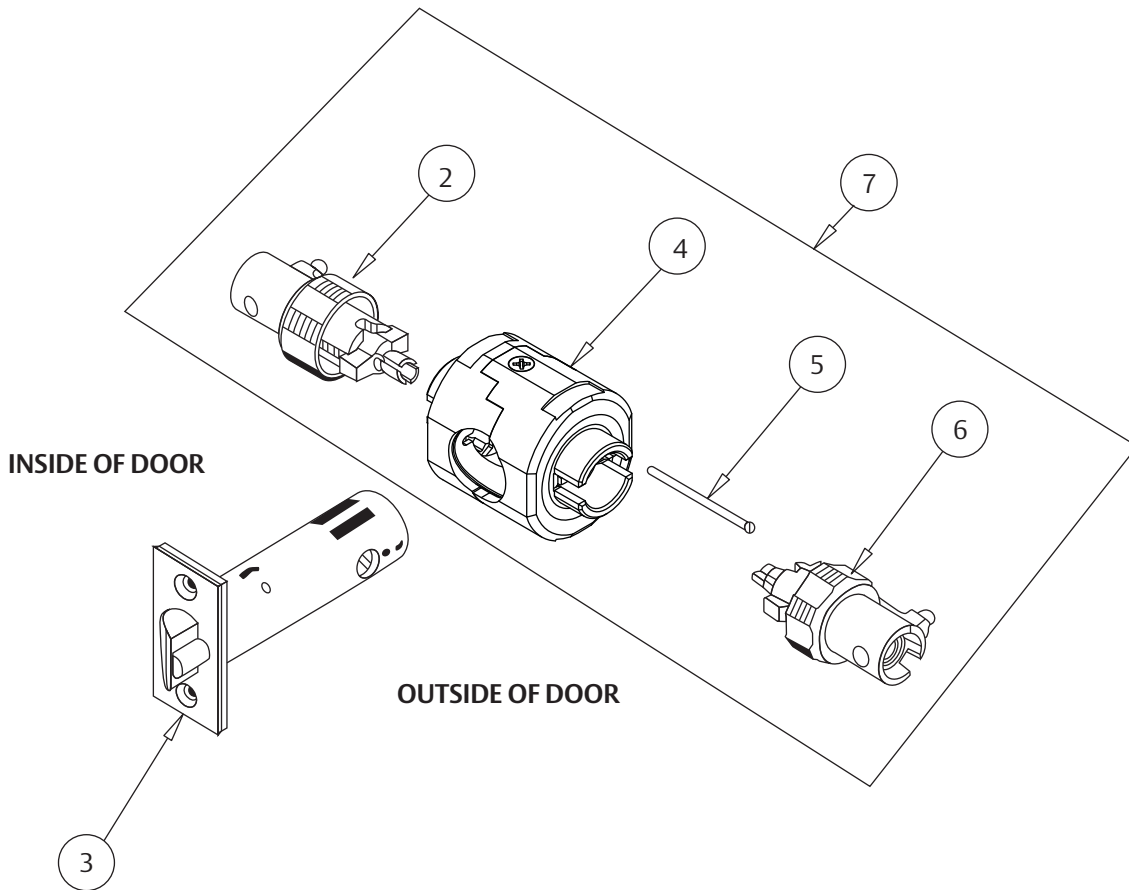


Item	Part Number	Description	Quantity
2	11-2015	Locking Sleeve Assembly	1
3	*11-2106	Latch Assembly, B	1
4	11-2001	Bearing Assembly	1
5	11-0394	Aligning Pin	2
6	11-2014	Locking Sleeve Assembly	1
7	11-2303	Lock Body Assembly	1

\* Specify Finish

Notes:

- Part numbers listed are for 1-3/4" thick doors. Consult factory for part numbers associated with non-standard doors.
- Part numbers listed are for standard cylinder and latch configurations. For other options, see pages 25-29.
- For lever and rose options, see pages 30-31.



The warranty on SARGENT® products becomes void if the product is modified in any way, regardless of whether the modification causes or contributes to any alleged defect. If a SARGENT product is modified it may no longer meet industry certification and quality control standards applicable to the original product and is no longer a genuine SARGENT product.

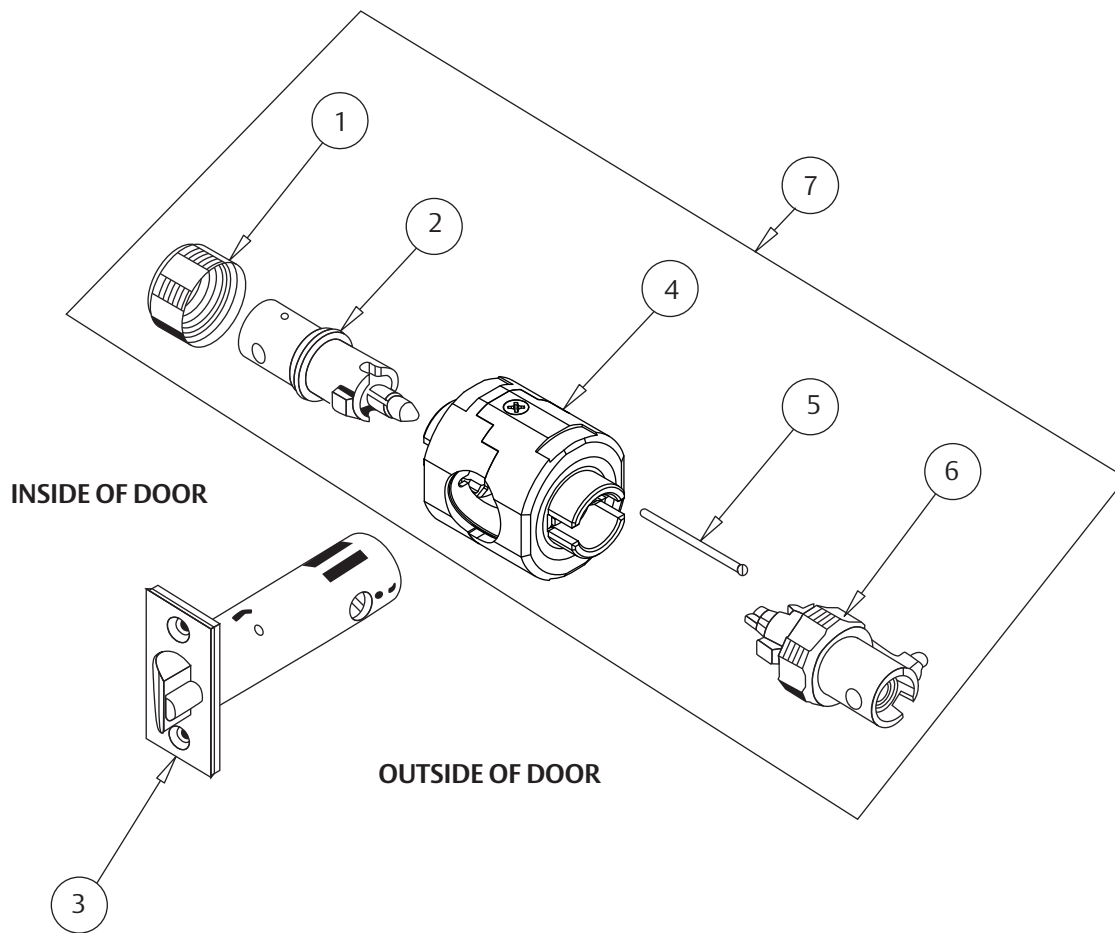
Copyright ©2018-2019 Sargent Manufacturing Company, an ASSA ABLOY Group company. All rights reserved. Reproduction in whole or in part without the express written permission of Sargent Manufacturing Company is prohibited.

Item	Part Number	Description	Quantity
1	11-0031	Inside Collar	1
2	11-2011	Non-Locking Sleeve Assembly	1
3	*11-2106	Latch Assembly, B	1
4	11-2899	Bearing Assembly	1
5	11-0394	Aligning Pin	2
6	11-2017	Locking Sleeve Assembly	1
7	11-2311	Lock Body Assembly	1

\* Specify Finish

Notes:

- Part numbers listed are for 1-3/4" thick doors. Consult factory for part numbers associated with non-standard doors.
- Part numbers listed are for standard cylinder and latch configurations. For other options, see pages 25-29.
- For lever and rose options, see pages 30-31.



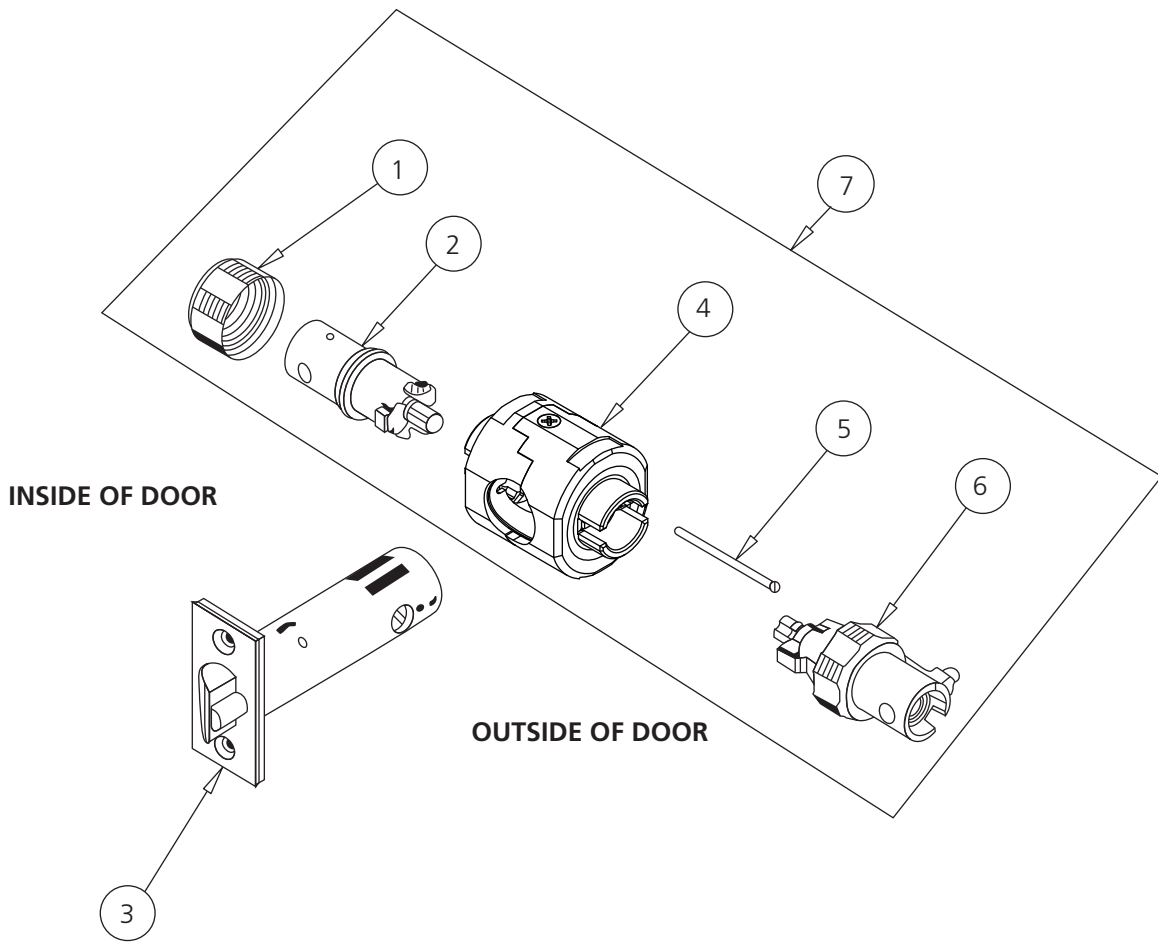


Item	Part Number	Description	Quantity
1	11-0031	Inside Collar	1
2	11-2151	Non-Locking Sleeve Assembly	1
3	*11-2106	Latch Assembly, B	1
4	11-2899	Bearing Assembly	1
5	11-0394	Aligning Pin	1
6	11-2009	Locking Sleeve Assembly	1
7	11-2296	Lock Body Assembly	1

\*Specify Finish

Notes:

- Part numbers listed are for 1-3/4" thick doors. Consult factory for part numbers associated with non-standard doors.
- Part numbers listed are for standard cylinder and latch configurations. For other options, see pages 25-29.
- For lever and rose options, see pages 30-31.



The warranty on SARGENT® products becomes void if the product is modified in any way, regardless of whether the modification causes or contributes to any alleged defect. If a SARGENT product is modified it may no longer meet industry certification and quality control standards applicable to the original product and is no longer a genuine SARGENT product.

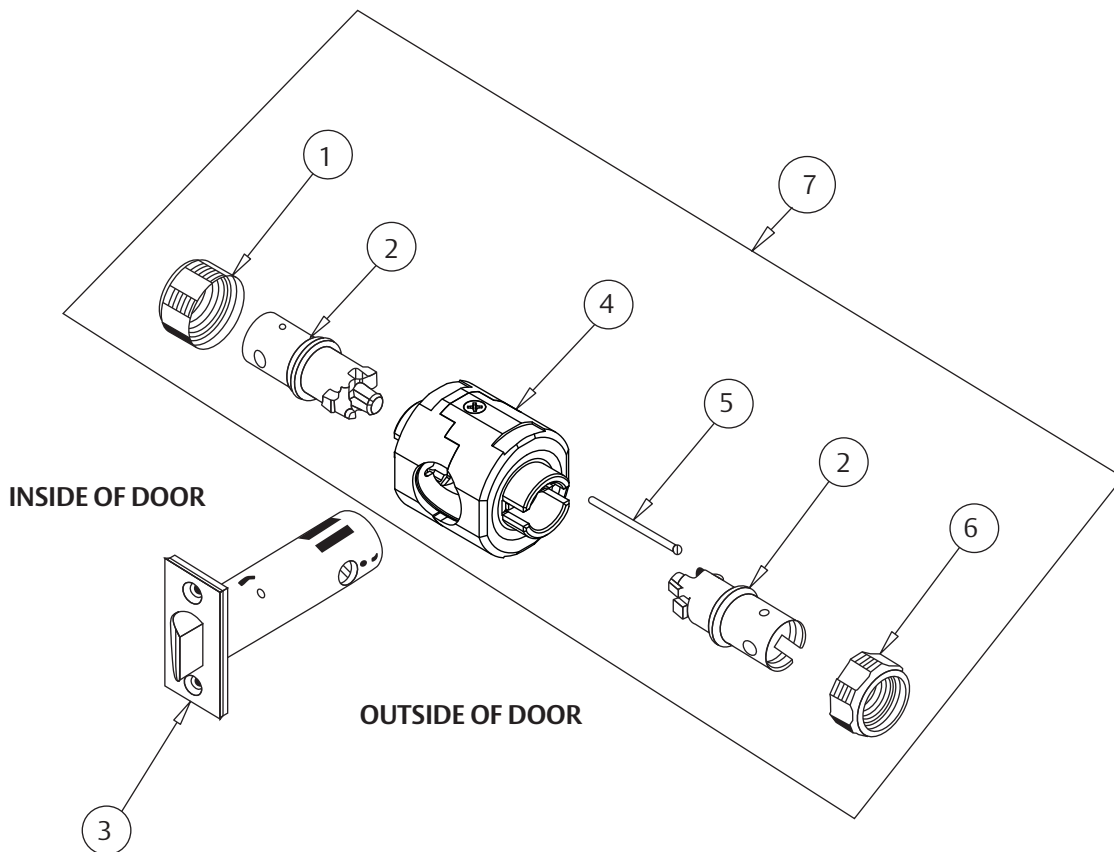
Copyright ©2018-2019 Sargent Manufacturing Company, an ASSA ABLOY Group company. All rights reserved. Reproduction in whole or in part without the express written permission of Sargent Manufacturing Company is prohibited.

Item	Part Number	Description	Quantity
1	11-0031	Inside Collar	1
2	11-2153	Non-Locking Sleeve Assembly	2
3	*11-2107	Latch Assembly, A	1
4	11-2899	Bearing Assembly	1
5	11-0394	Aligning Pin	1
6	11-0032	Outside Collar	1
7	11-2297	Lock Body Assembly	1

\* Specify Finish

Notes:

- Part numbers listed are for 1-3/4" thick doors. Consult factory for part numbers associated with non-standard doors.
- Part numbers listed are for standard cylinder and latch configurations. For other options, see pages 25-29.
- For lever and rose options, see pages 30-31.

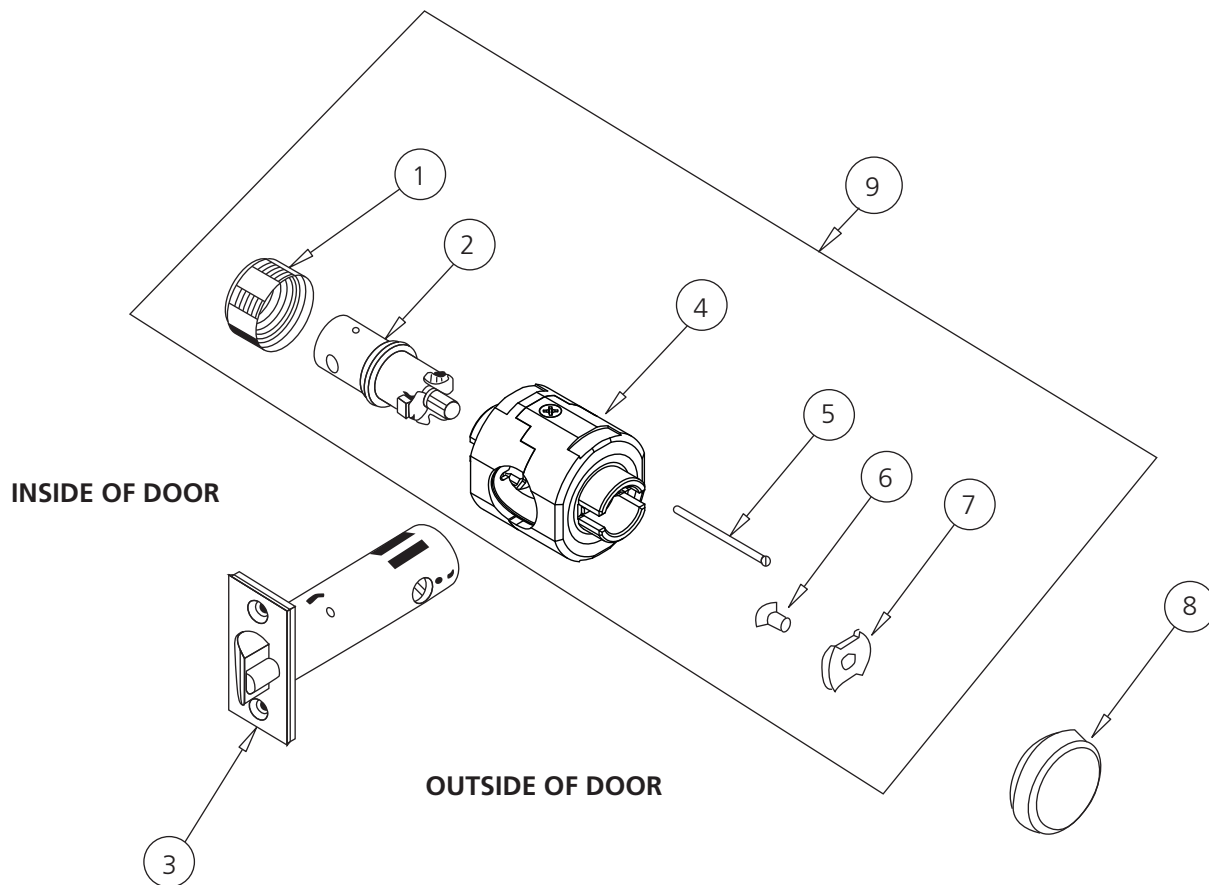


Item	Part Number	Description	Quantity
1	11-0031	Inside Collar	1
2	11-2153	Non-Locking Sleeve Assembly	1
3	*11-2106	Latch Assembly, B	1
4	11-2899	Bearing Assembly	1
5	11-0394	Aligning Pin	1
6	01-1027	Countersunk Flat Head Screw 10-24 x 3/8" (1-3/4" Door)	1
7	11-0174	Anchor Plate	1
8	N/A	Rosette Plug (Included as Part of Rose Assembly, see page 29)	1
9	11-2298	Lock Body Assembly	1

\* Specify Finish

Notes:

- Part numbers listed are for 1-3/4" thick doors. Consult factory for part numbers associated with non-standard doors.
- Part numbers listed are for standard cylinder and latch configurations. For other options, see pages 25-29.
- For lever and rose options, see pages 30-31.



The warranty on SARGENT® products becomes void if the product is modified in any way, regardless of whether the modification causes or contributes to any alleged defect. If a SARGENT product is modified it may no longer meet industry certification and quality control standards applicable to the original product and is no longer a genuine SARGENT product.

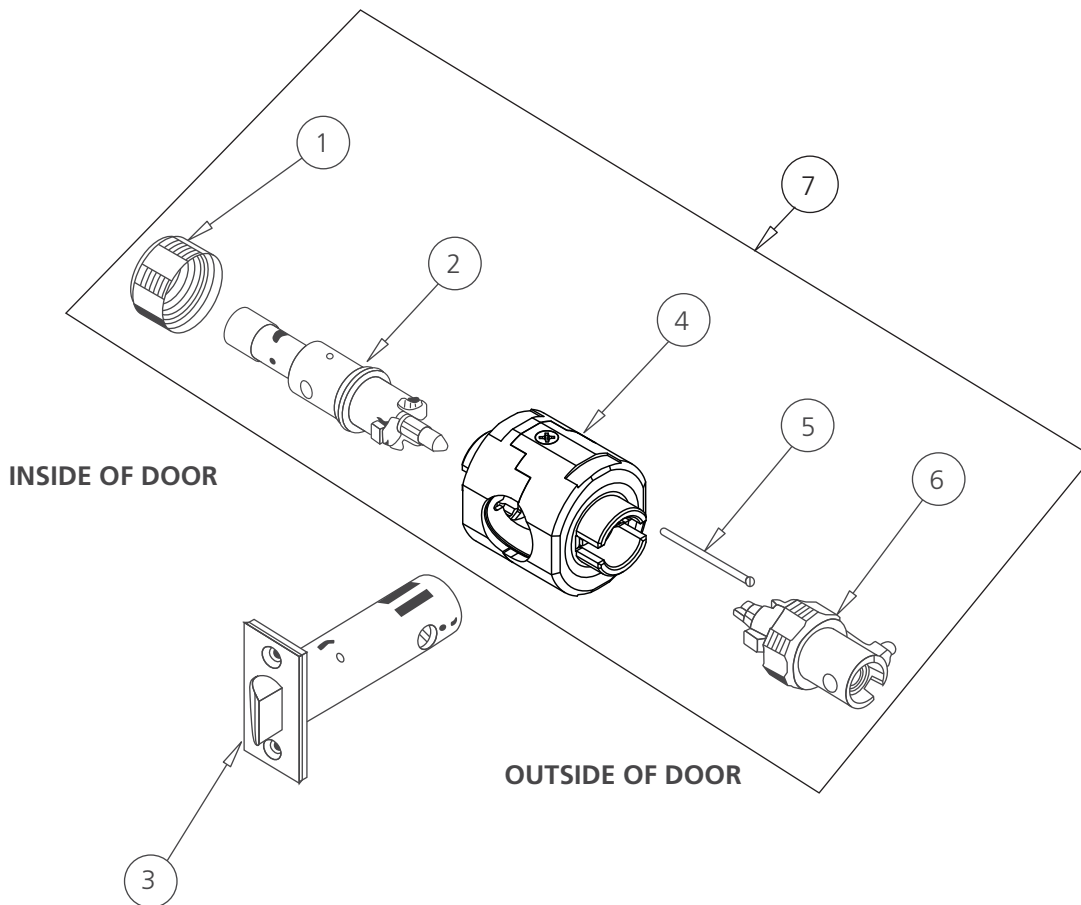
Copyright ©2018-2019 Sargent Manufacturing Company, an ASSA ABLOY Group company. All rights reserved. Reproduction in whole or in part without the express written permission of Sargent Manufacturing Company is prohibited.

Item	Part Number	Description	Quantity
1	11-0031	Inside Collar	1
2	*11-2156	Non-Locking Sleeve Assembly	1
3	*11-2111	Latch Assembly, C	1
4	11-2899	Bearing Assembly	1
5	11-0394	Aligning Pin	1
6	11-2055	Locking Sleeve Assembly	1
7	11-2308	Lock Body Assembly	1

\* Specify Finish

Notes:

- Part numbers listed are for 1-3/4" thick doors. Consult factory for part numbers associated with non-standard doors.
- Part numbers listed are for standard cylinder and latch configurations. For other options, see pages 25-29.
- For lever and rose options, see pages 30-31.

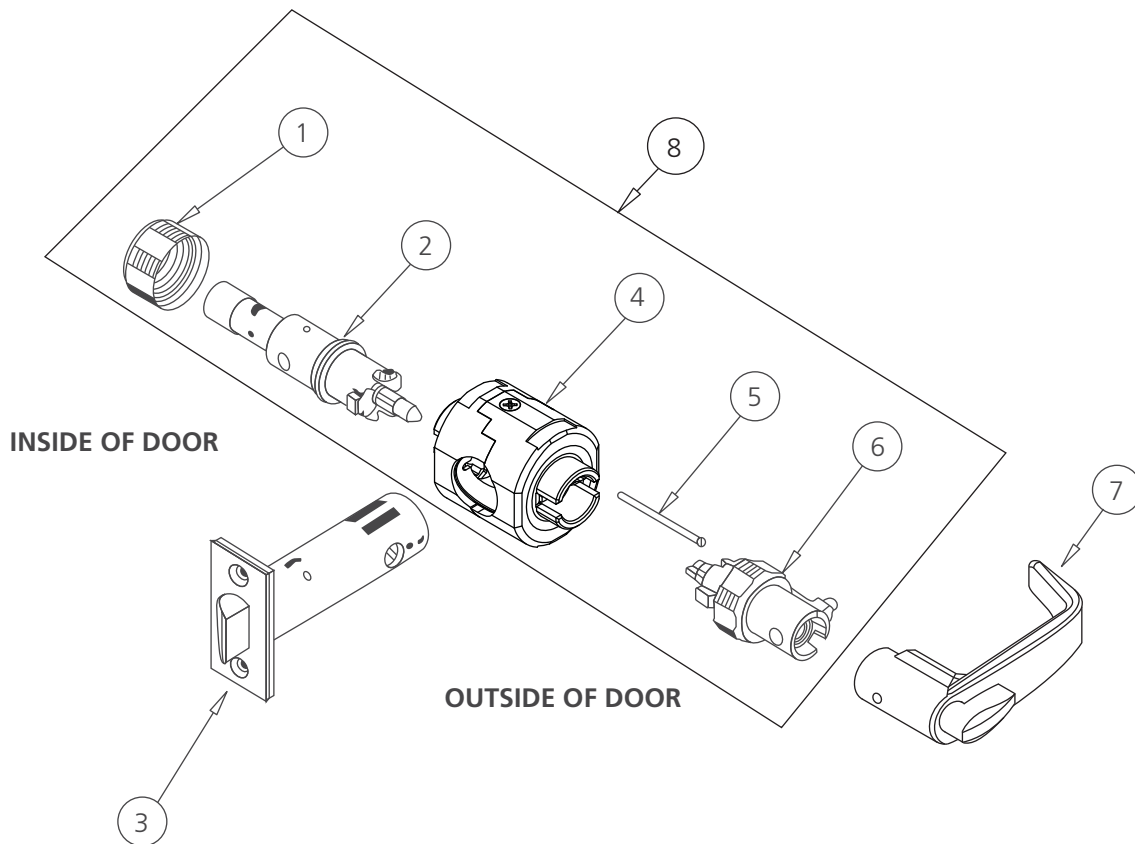


Item	Part Number	Description	Quantity
1	11-0031	Inside Collar	1
2	*11-2156	Non-Locking Sleeve Assembly	1
3	*11-2111	Latch Assembly, C	1
4	11-2899	Bearing Assembly	1
5	11-0394	Aligning Pin	1
6	11-2055	Locking Sleeve Assembly	1
7	11-4064	Lever/Turnpiece Assembly (B Lever)	1
	11-4065	Lever/Turnpiece Assembly (J Lever)	
	11-4066	Lever/Turnpiece Assembly (L Lever)	
	11-4067	Lever/Turnpiece Assembly (P Lever)	
8	11-2308	Lock Body Assembly	1

\* Specify Finish

Notes:

- Part numbers listed are for 1-3/4" thick doors. Consult factory for part numbers associated with non-standard doors.
- Part numbers listed are for standard cylinder and latch configurations. For other options, see pages 25-29.
- For lever and rose options, see pages 30-31.



The warranty on SARGENT® products becomes void if the product is modified in any way, regardless of whether the modification causes or contributes to any alleged defect. If a SARGENT product is modified it may no longer meet industry certification and quality control standards applicable to the original product and is no longer a genuine SARGENT product.

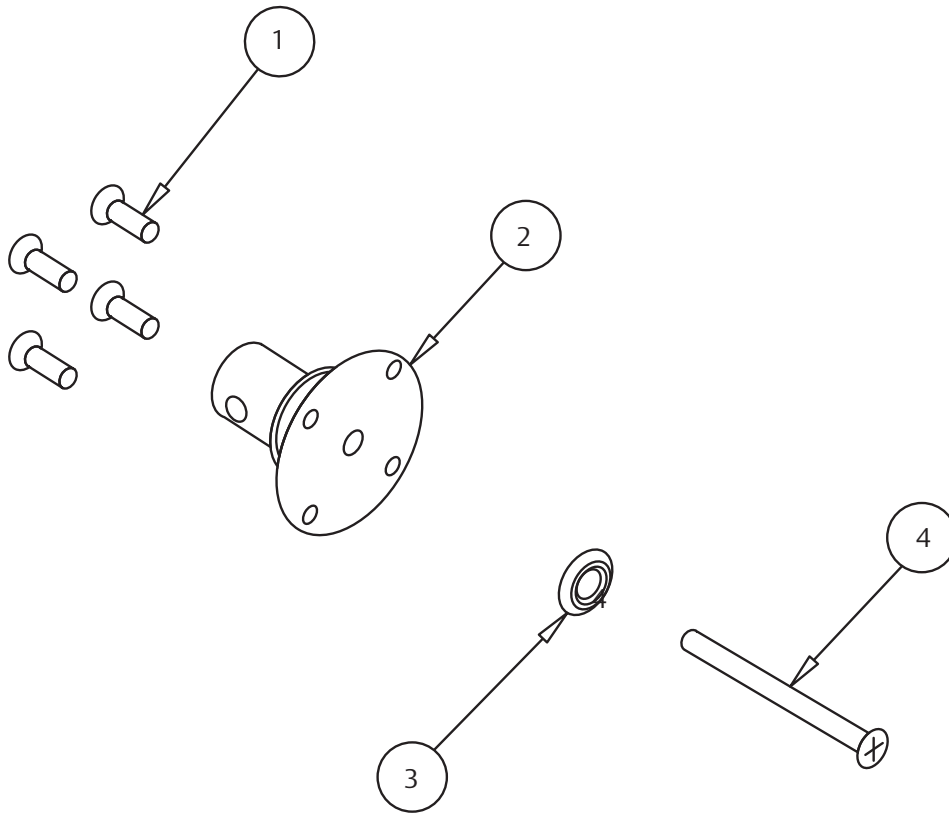
Copyright ©2018-2019 Sargent Manufacturing Company, an ASSA ABLOY Group company. All rights reserved. Reproduction in whole or in part without the express written permission of Sargent Manufacturing Company is prohibited.

Item	Part Number	Description	Quantity
1	01-2201	Wood Screw #4 x 1/2"	4
	01-3337	Machine Screw #4-40 x 1/2"	
2	11-2495	Mounting Flange Assembly	1
3	*01-0225	Cup Washer	1
4	*01-4373	Countersunk Flat Head Screw 1/4-20 x 2-3/4"	1

\* Specify Finish

Notes:

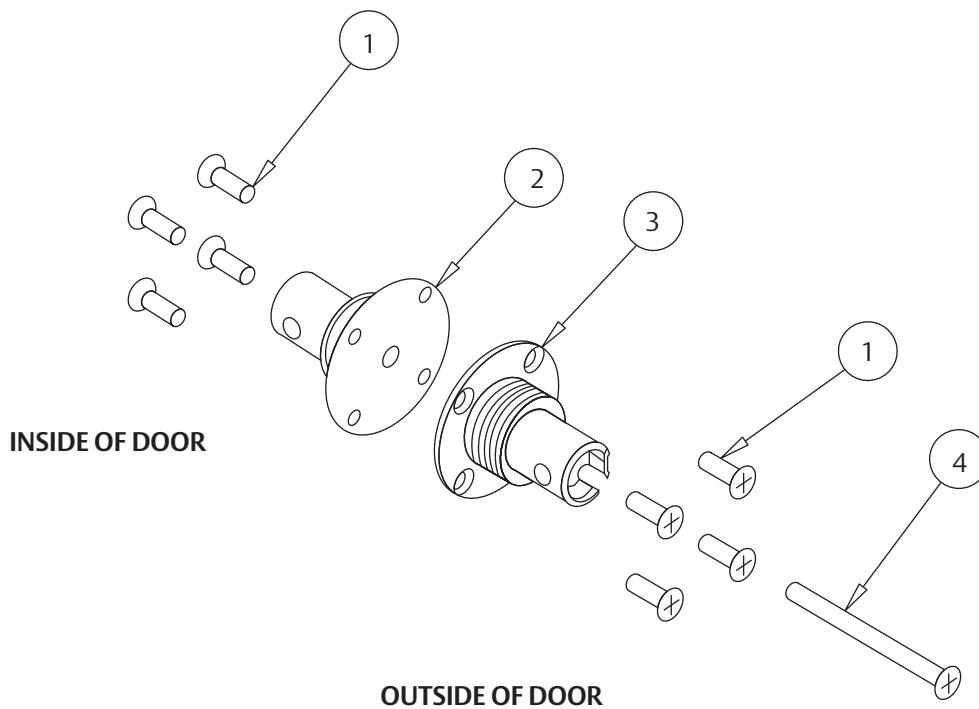
- Part numbers listed are for 1-3/4" thick doors. Consult factory for part numbers associated with non-standard doors.
- For lever and rose options, see pages 30-31.



Item	Part Number	Description	Quantity
1	01-2201	Wood Screw #4 x 1/2"	8
	01-3337	Machine Screw #4-40 x 1/2"	
2	11-2495	Inside Mounting Flange Assembly	1
3	11-2496	Outside Mounting Flange Assembly	1
4	01-4373	Countersunk Flat Head Screw 1/4-20 x 2-3/4"	1

Notes:

- Part numbers listed are for 1-3/4" thick doors. Consult factory for part numbers associated with non-standard doors.
- For lever and rose options, see pages 30-31.



The warranty on SARGENT® products becomes void if the product is modified in any way, regardless of whether the modification causes or contributes to any alleged defect. If a SARGENT product is modified it may no longer meet industry certification and quality control standards applicable to the original product and is no longer a genuine SARGENT product.

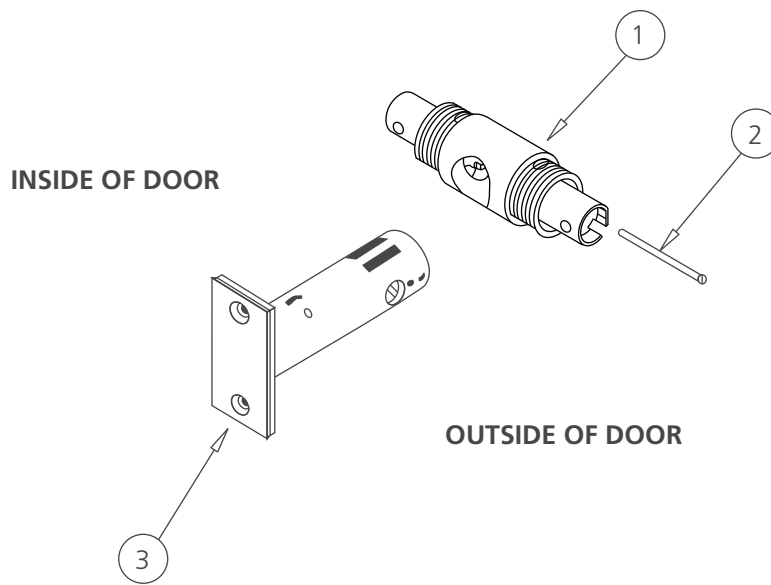
Copyright ©2018-2019 Sargent Manufacturing Company, an ASSA ABLOY Group company. All rights reserved. Reproduction in whole or in part without the express written permission of Sargent Manufacturing Company is prohibited.

Item	Part Number	Description	Quantity
1	11-2501	Tube Assembly	1
2	11-0394	Aligning Pin	1
3	*11-2112	Latch Assembly	1

\*Specify Finish

Notes:

- Part numbers listed are for 1-3/4" thick doors. Consult factory for part numbers associated with non-standard doors.
- Part numbers listed are for standard latch configurations. For other options, see page 27.
- For lever and rose options, see pages 30-31.





**Standard Cylinder Functions**

Part Number	Lock Function														
	04	05	13	15	15-3	16	17	24	30	37	38	44	50	54	65
11-2009	O/S	O/S				O/S						O/S			
11-2010			O/S												
11-2011						I/S					I/S				
11-2012							O/S								
11-2013							I/S								
11-2014									O/S	O/S					
11-2015									I/S						
11-2016													O/S		
11-2017											O/S			O/S	
11-2055															O/S
11-2909								O/S							
11-2151	I/S		I/S												
11-2152*		I/S													
11-2153				I/S - O/S	I/S					I/S					
11-2154*											I/S				
11-2155*												I/S	I/S		
11-2156*														I/S	I/S
11-2157*								I/S							

\* Specify Finish

**Standard Cylinder Functions - 3/4" Throw Latch (41- Option)**

Part Number	Lock Function					
	04	05	15	15-3	16	37
11-2028	O/S	O/S			O/S	
11-2029					I/S	
11-2030						O/S
11-2166	I/S					
11-2167*		I/S				
11-2168			I/S - O/S	I/S		I/S

\* Specify Finish

**LFIC (60- Option) and SFIC (70- Option) Functions Including Schlage® (SF- Option) and Yale® (YRC- Option)**

Part Number	Lock Function									
	04	05	16	17	24	30	37	38	44	54
11-2031	O/S	O/S	O/S						O/S	
11-2032			I/S					I/S		
11-2033				O/S						
11-2034				I/S						
11-2035						O/S	O/S			
11-2036						I/S				
11-2037								O/S		O/S
11-2911					O/S					

Note: Part numbers listed are for 1-3/4" thick doors. Consult factory for part numbers associated with non-standard doors.

The warranty on SARGENT® products becomes void if the product is modified in any way, regardless of whether the modification causes or contributes to any alleged defect. If a SARGENT product is modified it may no longer meet industry certification and quality control standards applicable to the original product and is no longer a genuine SARGENT product.

Copyright ©2018-2019 Sargent Manufacturing Company, an ASSA ABLOY Group company. All rights reserved. Reproduction in whole or in part without the express written permission of Sargent Manufacturing Company is prohibited.

**KESO (82- Option)**

Part Number	Lock Function									
	04	05	16	17	24	30	37	38	44	54
11-2069	O/S	O/S	O/S						O/S	
11-2070			I/S					I/S		
11-2071				O/S						
11-2072				I/S						
11-2073						O/S	O/S			
11-2074						I/S				
11-2075								O/S		O/S
11-2915					O/S					

**ASSA V-10 (VC- Option)**

Part Number	Lock Function									
	04	05	16	17	24	30	37	38	44	54
11-2039	O/S	O/S	O/S						O/S	
11-2040			I/S					I/S		
11-2041				O/S						
11-2042				I/S						
11-2043						O/S	O/S			
11-2044						I/S				
11-2045								O/S		O/S
11-2913					O/S					

**Sleeve Assembly Color Coding**

Selected sleeves are color coded for easy identification.

	Lock Functions			
Red	04	05	16	44
Green	38	54		
Blue	65			
Yellow	24			

Note: Part numbers listed are for 1-3/4" thick doors. Consult factory for part numbers associated with non-standard doors.

**SL- Option Standard Cylinder Functions**

Part Number	Lock Function														
	04	05	13	15	15-3	16	17	24	30	37	38	44	50	54	65
11-2597	O/S	O/S				O/S		O/S				O/S			
11-2598						I/S					I/S				
11-2599							O/S								
11-2600							I/S								
11-2601									O/S	O/S					
11-2602									I/S						
11-2603													O/S		
11-2604											O/S			O/S	

**SL- Option Standard Cylinder Functions - 3/4" Throw Latch (41- Option)**

Part Number	Lock Function					
	04	05	15	15-3	16	37
11-2614	O/S	O/S			O/S	
11-2615					I/S	
11-2616						O/S

**SL- Option LFIC (SL-60- Option) and SFIC (SL-70- Option) Functions Including Schlage® (SL-SF- Option)**

Part Number	Lock Function									
	04	05	16	17	24	30	37	38	44	54
11-2617	O/S	O/S	O/S		O/S				O/S	
11-2618			I/S					I/S		
11-2619				O/S						
11-2620				I/S						
11-2621						O/S	O/S			
11-2622						I/S				
11-2623								O/S		O/S

**SL- Option KESO (SL-82- Option)**

Part Number	Lock Function									
	04	05	16	17	24	30	37	38	44	54
11-2653	O/S	O/S	O/S		O/S				O/S	
11-2654			I/S					I/S		
11-2655				O/S						
11-2656				I/S						
11-2657						O/S	O/S			
11-2658						I/S				
11-2659								O/S		O/S

**SL- Option ASSA V-10 (SL-VC- Option)**

Part Number	Lock Function									
	04	05	16	17	24	30	37	38	44	54
11-2635	O/S	O/S	O/S		O/S				O/S	
11-2636			I/S					I/S		
11-2637				O/S						
11-2638				I/S						
11-2639						O/S	O/S			
11-2640						I/S				
11-2641								O/S		O/S

Note: Part numbers listed are for 1-3/4" thick doors. Consult factory for part numbers associated with non-standard doors.

The warranty on SARGENT® products becomes void if the product is modified in any way, regardless of whether the modification causes or contributes to any alleged defect. If a SARGENT product is modified it may no longer meet industry certification and quality control standards applicable to the original product and is no longer a genuine SARGENT product.

Copyright ©2018-2019 Sargent Manufacturing Company, an ASSA ABLOY Group company. All rights reserved. Reproduction in whole or in part without the express written permission of Sargent Manufacturing Company is prohibited.

**Bearing Assemblies**

Part Number	Description
11-2004	Used with 2-1/4" -2-1/2" Thick Doors (31- Option)
11-2005	Used with 3/4" Throw Latch (41- Option)
11-2899	Standard

**Lock Body Assemblies**

Description	Lock Function														
	04	05*	13	15	15-3	16	17	24*	30	37	38	44*	50*	54*	65/68*
Non Cylinder and Standard Cylinder	11-2294	11-2295	11-2296	11-2297	11-2298	11-2299	11-2300	11-2301	11-2303	11-2304	11-2311	11-2305	11-2306	11-2307	11-2308
41- Option Non-Cylinder and Standard Cylinder	11-2337	11-2338		11-2339	11-2340	11-2341				11-2355					
LFIC and SFIC	11-2349	11-2350				11-2351	11-2352	11-2353	11-2354	11-2355	11-2361	11-2356		11-2358	
41- LFIC and SFIC	11-2380	11-2381				11-2382				11-2383					
82- KESO	11-2426	11-2427				11-2428	11-2429	11-2430	11-2431	11-2432	11-2433	11-2434		11-2435	
41-82-KESO	11-2585	11-2586				11-2587				11-2588					
VC- ASSA V10	11-2388	11-2389				11-2390	11-2391	11-2392	11-2393	11-2394	11-2395	11-2396		11-2397	
41-VC ASSA V10	11-2418	11-2419				11-2420				11-2421					
SL- Option Non Cylinder and Standard Cylinder	11-2672	11-2673				11-2674	11-2675	11-2676	11-2677	11-2678	11-2679	11-2680	11-2681	11-2682	
SL- Option, 41- Option Non-Cylinder and Standard Cylinder	11-2696	11-2697				11-2698				11-2699					
SL- Option LFIC	11-2700	11-2701				11-2702	11-2703	11-2704	11-2705	11-2706	11-2707	11-2708		11-2709	
SL- Option, 41- Option LFIC	11-2722	11-2723				11-2724				11-2725					
SL- Option SFIC	11-2775	11-2776				11-2777	11-2778	11-2779	11-2780	11-2781	11-2782	11-2783		11-2784	
SL- Option, 41- Option SFIC	11-2813	11-2814				11-2815				11-2816					
SL- Option KESO	11-2843	11-2844				11-2845	11-2846	11-2847	11-2848	11-2849	11-2850	11-2851		11-2854	
SL- Option, 41- Option KESO	11-2865	11-2866				11-2867				11-2868					
SL- Option VC- ASSA V10	11-2817	11-2818				11-2819	11-2820	11-2821	11-2822	11-2823	11-2824	11-2825		11-2826	
SL- Option, 31- Option, VC- ASSA V10	11-2829	11-2830				11-2831	11-2832	11-2833	11-2834	11-2835	11-2836	11-2837		11-2838	
SL- Option, 41- Option, VC- ASSA V10	11-2839	11-2840				11-2841				11-2842					

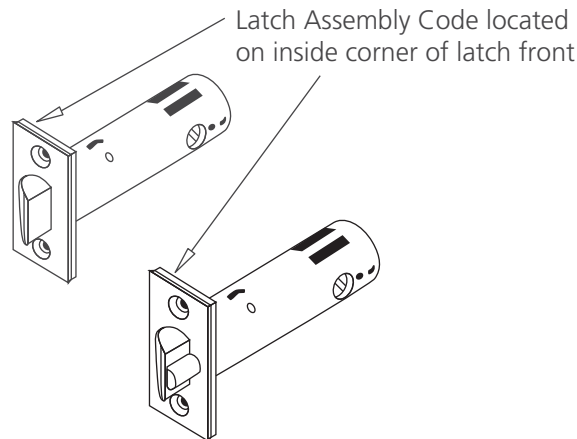
\*Specify Finish

Note: Lockbody assemblies are shipped with bearing assembly, inside/outside sleeve, and inside/outside collar.

Note: Part numbers listed are for 1-3/4" thick doors. Consult factory for part numbers associated with non-standard doors.

Part Number	Assembly Code	Lock Function																
		04	05	13	15	15-3	16	17	24	30	37	38	44	50	54	65	68	94-2
<b>Standard 2-3/4" (70mm) Backset</b>																		
11-2106	B	x	x	x		x	x	x		x	x	x						
11-2107	A				x													
11-2108	K								x									
11-2110	D												x	x	x			
11-2111	C															x	x	
11-2112	—																	x
<b>23-option 3-3/4" (95mm) Backset</b>																		
11-2113	B	x	x	x		x	x	x		x	x	x						
11-2114	A				x													
11-2115	K								x									
11-2117	D												x	x	x			
11-2118	C															x	x	
11-2119	—																	x
<b>25-option 5" (127mm) Backset</b>																		
11-2120	B	x	x	x		x	x	x		x	x	x						
11-2121	A				x													
11-2122	K								x									
11-2124	D												x	x	x			
11-2125	C															x	x	
11-2126	—																	x
<b>41-option 3/4" (19mm) Throw</b>																		
08-2517	—	x	x		x	x	x				x	x						

Note: Code letter stamped on inside corner of latch front identifies function(s) compatible with the latch assembly. Specify Finish



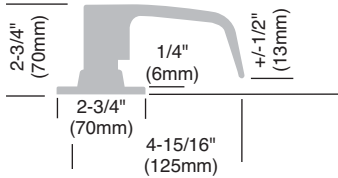
The warranty on SARGENT® products becomes void if the product is modified in any way, regardless of whether the modification causes or contributes to any alleged defect. If a SARGENT product is modified it may no longer meet industry certification and quality control standards applicable to the original product and is no longer a genuine SARGENT product.

Copyright ©2018-2019 Sargent Manufacturing Company, an ASSA ABLOY Group company. All rights reserved. Reproduction in whole or in part without the express written permission of Sargent Manufacturing Company is prohibited.

Lever & Rose Designs

**OL Design**

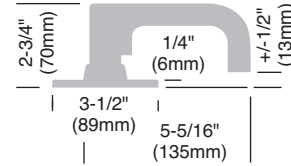
- Rose: O - Wrought
- Lever: L - Cast



**Note:** Any rose and lever on this page can be combined to suit individual taste

**LJ Design**

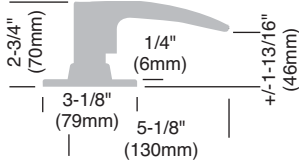
- Rose: L - Wrought
- Lever: J - Cast



**Note:** Lever projections shown are for 1-3/4\"/>

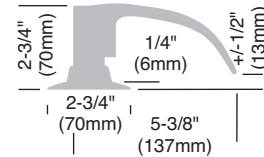
**EB Design**

- Rose: E - Wrought
- Lever: B - Cast



**BP Design**

- Rose: B - Wrought
- Lever: P - Cast



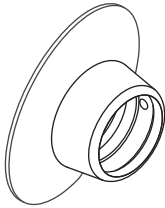
Levers	Plain	Std Cylinder, Button & Emergency Release	Sargent LFIC 60- Option	SFIC 70- Option	KESO 82- Option	Schlage® 30- Option	Schlage® SF- Option	ASSA V10 VC- Option	Yale® 6 or 7 Pin YC- and YC-7P- Options	Yale® LFIC 6 Pin YRC- Option	Yale® LFIC 7 Pin YRC-7P- Option
B	11-0061	11-0063	11-0064	11-0065	11-0068	11-0066		11-0067			
J	11-2558	11-2560	11-2561	11-2562	11-2565	11-2563		11-2564			
L	11-0041	11-0043	11-0044	11-0045	11-0048	11-0046	11-0399	11-0047	11-0441	11-0443	11-0445
P	11-0101	11-0103	11-0104	11-0105	11-0108	11-0106		11-0107	11-0447	11-0449	11-0451
SL-B		11-0317	11-0318	11-0319	11-0322	11-0320		11-0321			
SL-J		11-2869	11-2870	11-2871	11-2874	11-2872		11-2873			
SL-L		11-0301	11-0302	11-0303	11-0306	11-0304	11-0401	11-0305			
SL-P		11-0349	11-0350	11-0351	11-0354	11-0352		11-0353			

Specify Finish

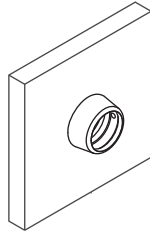
The warranty on SARGENT® products becomes void if the product is modified in any way, regardless of whether the modification causes or contributes to any alleged defect. If a SARGENT product is modified it may no longer meet industry certification and quality control standards applicable to the original product and is no longer a genuine SARGENT product.

Copyright ©2018-2019 Sargent Manufacturing Company, an ASSA ABLOY Group company. All rights reserved. Reproduction in whole or in part without the express written permission of Sargent Manufacturing Company is prohibited.

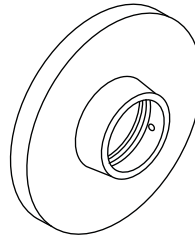
B Rose  
2-3/4" Dia.  
Brass



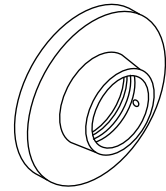
E Rose  
3-1/8" Sq.  
Brass



L Rose  
3-1/2" Dia.  
Brass



O Rose  
2-3/4" Dia.  
Brass

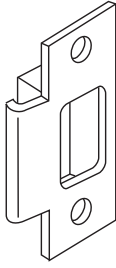


Part Number	Rose	Description
11-2445	B	Assembly for inside or outside of all functions except outside for 15-3, 93 and 94
11-2483	B	Assembly for outside of 15-3 function
11-2449	B	Assembly for inside or outside of 93 and 94 functions
11-2447	E	Assembly for inside or outside of all functions except outside for 15-3, 93, 94 and inside of 38 functions
11-2484	E	Assembly for outside of 15-3 function
11-2889	E	Assembly for inside of 38 function
11-2451	E	Assembly for inside or outside of 93 and 94 functions
11-2446	L	Assembly for inside or outside of all functions except outside for 15-3, 93, 94 and inside of 38 functions
11-2485	L	Assembly for outside of 15-3 function
11-2888	L	Assembly for inside of 38 function
11-2450	L	Assembly for inside or outside of 93 and 94 functions
11-2444	O	Assembly for inside or outside of all functions except outside for 15-3, 93, 94 and inside of 38 functions
11-2482	O	Assembly for outside of 15-3 function
11-2887	O	Assembly for inside of 38 function
11-2448	O	Assembly for inside or outside of 93 and 94 functions

Specify Finish

The warranty on SARGENT® products becomes void if the product is modified in any way, regardless of whether the modification causes or contributes to any alleged defect. If a SARGENT product is modified it may no longer meet industry certification and quality control standards applicable to the original product and is no longer a genuine SARGENT product.

Copyright ©2018-2019 Sargent Manufacturing Company, an ASSA ABLOY Group company. All rights reserved. Reproduction in whole or in part without the express written permission of Sargent Manufacturing Company is prohibited.



**Curved Lip "T" Strike (Standard)**

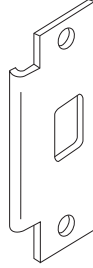
Brass, bronze or stainless steel.

2-3/4" (70mm) x 1-1/8" (29mm) x 1-1/4" (32mm) lip to center.

Optional lip lengths: 1" (25mm), 1-1/2" (38mm), 1-3/4" (44mm) and 2" (51mm).

To order separately, specify model no x finish.

Plastic strike box AM-0044 available separately.



**ANSI Curved Lip (Optional) (28-Option)**

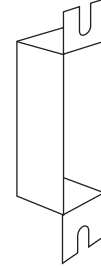
Brass, bronze or stainless steel.

4-7/8" (124mm) x 1-1/4" (32mm) x 1-1/4" (32mm) lip to center.

Optional lip lengths: 1-1/8" (29mm), 1-3/8" (35mm), 1-5/8" (42mm), 1-7/8" (48mm), 2-1/8" (54mm), 2-3/8" (60mm), 2-5/8" (66mm), 2-7/8" (73mm)

To order separately, specify model no x finish.

Strike box 77-1141 available separately.



**ANSI Wrought Strike Box**

Used with ANSI curved lip strike.

To order separately, specify 77-1141.

**Strikes - 2-3/4" T-Curved Lip\* (Standard)**

Model No.	Description
800 x 1"	1" Lip Length
800 x 1-1/4"	1-1/4" Lip Length
800 x 1-1/2"	1-1/2" Lip Length
800 x 1-3/4"	1-3/4" Lip Length
800 x 2"	2" Lip Length

**Strike Box**

Model No.	Description
77-1141	4-7/8" ANSI wrought strike box
AM-0044	Plastic strike box for T-strike

**Strikes - 4-7/8" ANSI Curved Lip\* (28-Option)**

Model No.	Description
808 x 1-1/8"	1-1/8" Lip Length
808 x 1-1/4"	1-1/4" Lip Length
808 x 1-3/8"	1-3/8" Lip Length
808 x 1-5/8"	1-5/8" Lip Length
808 x 1-7/8"	1-7/8" Lip Length
808 x 2-1/8"	2-1/8" Lip Length
808 x 2-3/8"	2-3/8" Lip Length
808 x 2-5/8"	2-5/8" Lip Length
808 x 2-7/8"	2-7/8" Lip Length

\*Specify Finish



		
Brass, 6-pin 2 nickel silver keys Finishes: 04, 15	Brass, 6-pin 2 nickel silver keys Finishes: 04, 15	Brass, 6-pin 2 nickel silver keys Finishes: 04, 15

Type	Pins	Standard Cylinder	Hotel Cylinder	Interchangeable Core <sup>^</sup>	
				Large Format	Small Format
Conventional	6	C11-1	C11-2	6300	7300B
	7	N/A	N/A	N/A	7P-7300B
Signature	6	10-C11-1	N/A	10-6300	N/A
XC	6	11-C11-1	N/A	11-6300	N/A
	7	N/A	N/A	N/A	11-7P-7300B
Degree <sup>®</sup> DG1	6	DG1-C11-1	DG1-C11-2	DG1-6300	N/A
Degree <sup>®</sup> DG2	6	DG2-C11-1	N/A	DG2-6300	N/A
Degree <sup>®</sup> DG3	6	DG3-C11-1	N/A	DG3-6300	N/A

<sup>^</sup> Locks will be provided with the applicable tailpiece per the type interchangeable and/or removable core being used.

**Cylinder Parts**

Part #	Description
C11-3	Emergency Release Cylinder (65)

**Tailpieces and Tailpiece Packs**

Part Number	Description
11-0403	Cylinder tailpiece for SF- option Schlage <sup>®</sup> LFIC
11-0171	Cylinder tailpiece - SFIC 6 pin
11-0172	Cylinder tailpiece - SFIC 7 pin, LFIC 6 Pin
11-0276	Cylinder tailpiece pack for 11- SFIC 7 pin
11-2578	Cylinder tailpiece pack for 30- option Schlage <sup>®</sup> fixed core
11-5003	Cylinder tailpiece and retainer pack, DG/XC LFIC
11-5004	Cylinder spacer for Yale <sup>®</sup> 6 pin fixed core cylinder
11-5005	Cylinder tailpiece pack for Yale <sup>®</sup> 6 or 7 pin LFIC
13-1385	Cylinder tailpiece - adapts 10L cylinder to 11L

The warranty on SARGENT<sup>®</sup> products becomes void if the product is modified in any way, regardless of whether the modification causes or contributes to any alleged defect. If a SARGENT product is modified it may no longer meet industry certification and quality control standards applicable to the original product and is no longer a genuine SARGENT product.

Copyright ©2018-2019 Sargent Manufacturing Company, an ASSA ABLOY Group company. All rights reserved. Reproduction in whole or in part without the express written permission of Sargent Manufacturing Company is prohibited.

**Screws and Screw Packs**

Part Number*	Description
01-1018	Countersunk flat head screw 10-24 x 1/2" (2" Dr)
01-1027	Countersunk flat head screw 10-24 x 3/8" (1-3/4" Dr)
01-1316	Spanner set screw - for lever only (bit size #6)
01-1426	6-Lobe security set screw for lever only 1/4-28 x .1675 (bit size T-20)
01-2201	Wood screw #4 x 1/2"
01-3337	Machine screw #4-40 x 1/2"
01-4373	Countersunk flat head security screw 1/4-20 x 2-3/4"
01-5000	Countersunk flat head security screw 8-32 x 3/4"
01-5001	Subfront screws (6010 kit)
01-9109	Machine screw #6-32 x 3/8"
11-2520	Screw pack
11-2521	Screw pack for 93 and 94 functions
11-2522	Screw pack for 36- option
11-2523	Screw pack for 36- option for 93 and 94 functions
11-2526	Screw pack for 28- option
11-2527	Screw pack for 28-36- option
11-2528	Screw pack for 28-37- option
11-2529	Screw pack for 41- option
11-2530	Screw pack for 41-36- option
11-2531	Screw pack for 41-37- option
82-3855	6-Lobe bit pack - includes 6 bits, sizes T8, T9, T10, T15, T20, T25, T27
82-3856	Spanner bit pack - includes 6 bits, sizes 6, 8, 10, 12, 14

**Misc Parts**

Part Number	Description
01-0225*	Cup washer
01-4530	6-Lobe security tool (Torx™) to assemble lever set screw
08-0562	Subfront (6010 kit)
11-0031	Collar inside
11-0032	Collar outside
11-0138	Installation wrench to assemble rose and collars
11-0174	Anchor plate
11-0263	Threaded plunger, SL- option
11-0266	Screwdriver
11-0394	Aligning pin, standard
11-0396	Aligning pin, 2-1/4" door
11-0397	Aligning pin, 2-1/2" door
11-2263*	Thumbturn, 68 function
11-2495	Mounting flange assembly for 93 and 94 functions
11-2496	Mounting flange assembly for 94 function
11-2501	Tube assembly for 94-2 function
11-4068	Lever catch assembly with screw, standard
11-4069	Lever catch assembly with screw, SL- option
14-0057	Emergency key privacy function only
14-0299	Lockout key for 50 function

**01-4530 6 Lobe Security Tool (T-20)**



**11-0138 Installation Wrench**



**14-0299 Lockout Key**



A8252:B 3/19

\* Specify finish

The warranty on SARGENT® products becomes void if the product is modified in any way, regardless of whether the modification causes or contributes to any alleged defect. If a SARGENT product is modified it may no longer meet industry certification and quality control standards applicable to the original product and is no longer a genuine SARGENT product.



SARGENT Manufacturing Company  
100 Sargent Drive  
New Haven, CT 06511 USA  
800-727-5477  
[www.sargentlock.com](http://www.sargentlock.com)

ASSA ABLOY is the global  
leader in door opening solutions,  
dedicated to satisfying  
end-user needs for security,  
safety and convenience