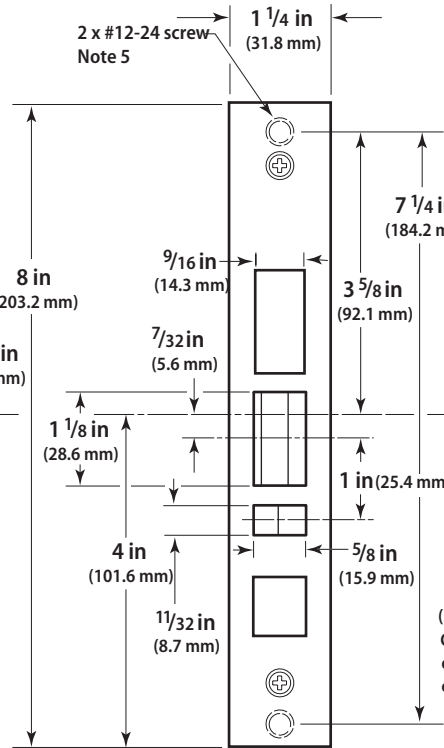
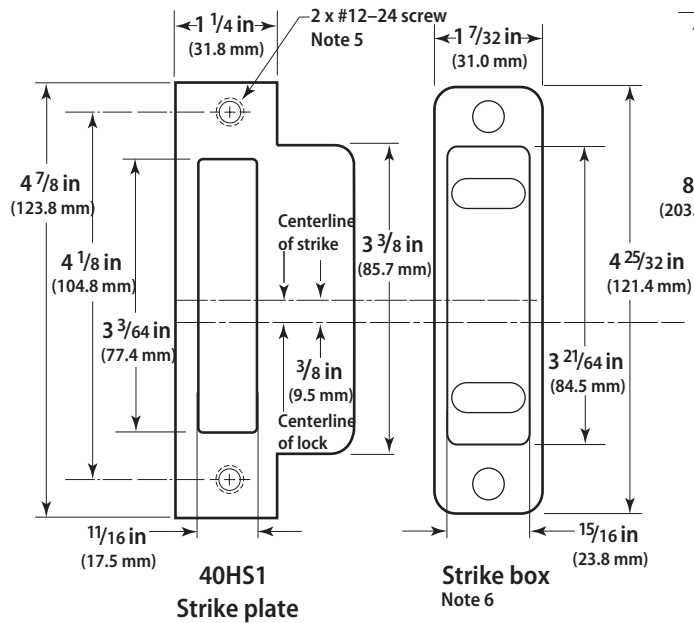
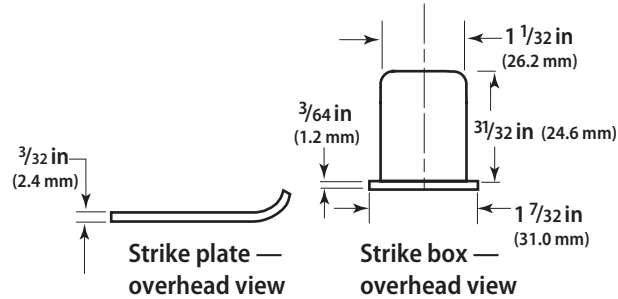


Series 45HW & 47HW	Backset 2 3/4"	Trim style H, J, M, N, R, S	Door thickness 1 3/4" to 5"	Rev date 1/2007	Template number H19	Rev B
Installation Specifications for 45HW & 47HW Electrified Mortise Locks						
BEST ACCESS SYSTEMS						

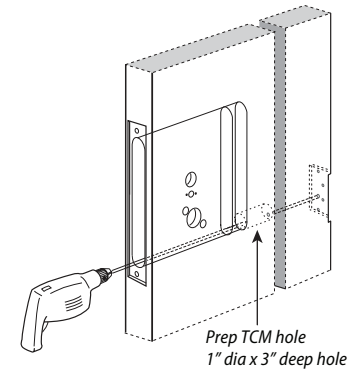
Notes

- Before drilling, check the H15 Template: Installation Template for 45H & 47H Mortise Locks and 45HW & 47HW Electrified Mortise Locks (T81163).
- The maximum door-to-frame gap is 3/16" (4.8mm).
- Allow 3/64" (1.2mm) clearance for the strike box thickness.
- For metal doors, lock case support is required from the door manufacturer.
- Tap for a #12-24 machine screw or drill for a #12 wood screw (a combination screw is supplied)
- If using an optional magnetic strike box, position the magnet at the top.



7. Lock case holes:

- C** Cylinder hole -
For 45HW Locks, 1 1/4" (32mm) dia.
For 47HW Locks, 1 3/4" (45mm) dia.
- F** Emergency key / thumb turn access hole - 1/2" (13mm) dia.
- G** Trim mounting hole - 3/8" (10mm) dia. (two required)
- H** Lever hole - 7/8" (23mm) dia.



Mortise case — overhead view

