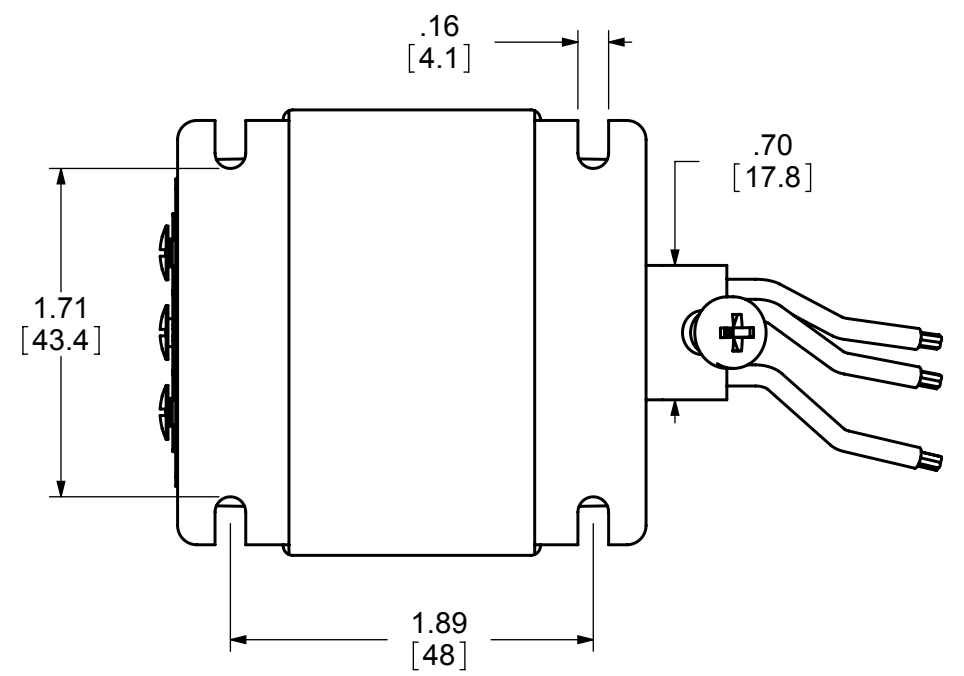
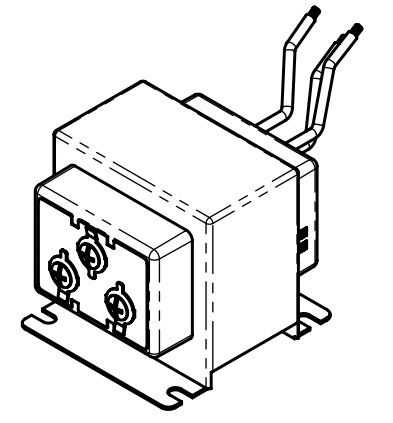
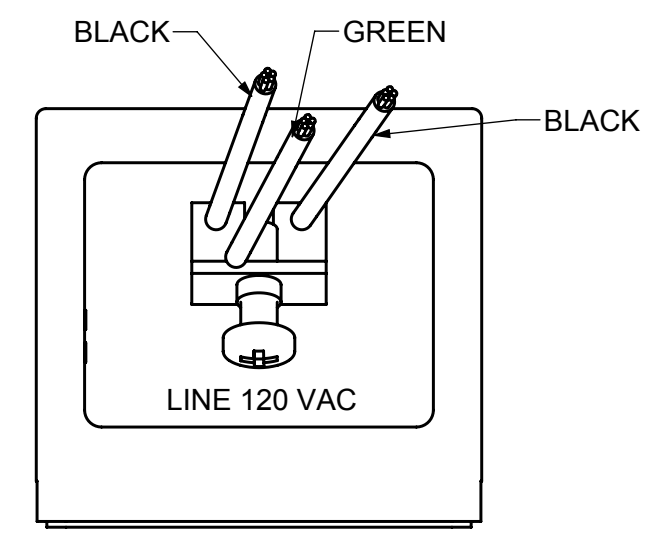
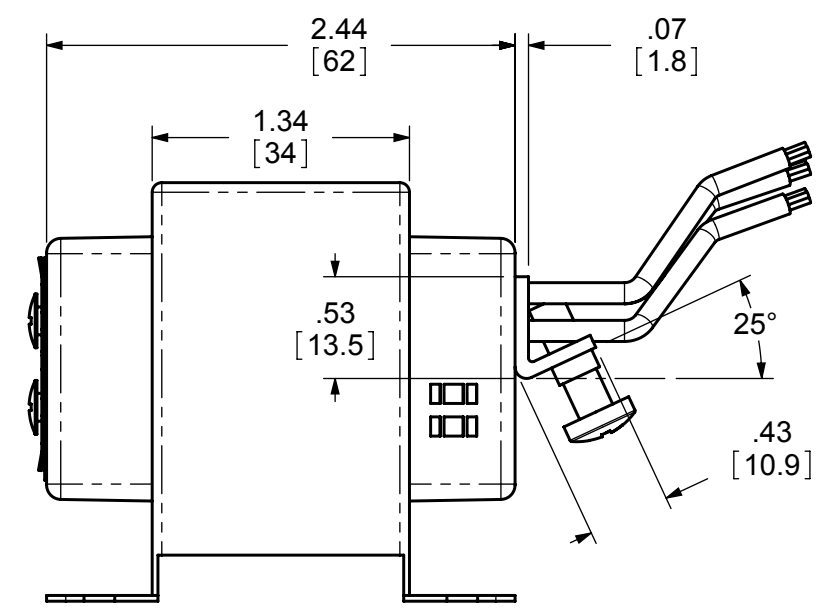
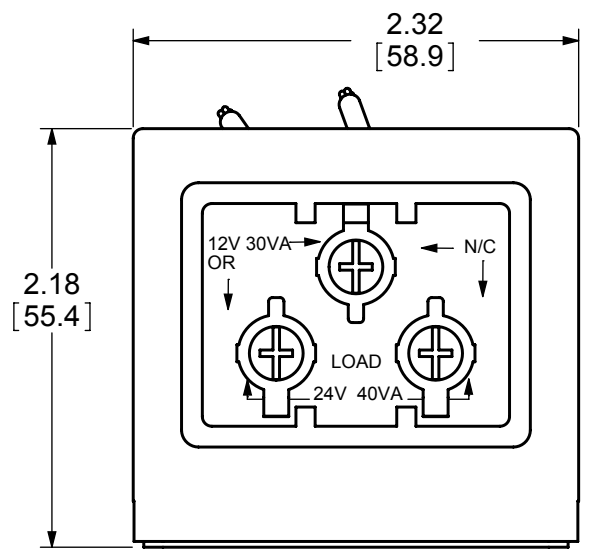


REV	DESCRIPTION	ECN	DATE	REV. BY	APVD
A	DWG No 4605 WAS 29-0355	9992	---	---	---
B	REDRAWN ON SOLIDWORKS & UPDATED	11630	8/24/10	PN	MP



INPUT VOLTAGE: 120 VAC  
 OUTPUT VOLTAGE: 24 VAC / 12 VAC  
 RATING: 40 VA (24 VAC) / 30 VA (12 VAC)  
 AGENCY APPROVAL: UNDERWRITERS LABORATORIES, #UL1585/CSA  
 SOURCE: HELMS-MAN INDUSTRIAL, ARCADIA CA, P/N T57-0487H OR ENGINEERING APPROVED EQUIVALENT.

- 3. DIMENSIONS IN PARENTHESE ARE IN METRIC.
  - 2. ALL FILLETS AND RADII ARE 0.015 MAX.
  - 1. ALL DIMENSIONS ARE IN INCHES AND TO THERETICAL CORNERS.
- NOTES: UNLESS OTHERWISE SPECIFIED.

		TOLERANCE UNLESS OTHERWISE SPECIFIED		
		UNIT	ENGLISH	METRIC
00-0000	0000	FRACTIONS	± 1/32	---
00-0000	0000	.X	± .1	---
00-0000	0000	.XX	± .01	± .25
00-0000	0000	.XXX	± .005	± .12
00-0000	0000	ANGLES	± 1	± 1
00-0000	4560	∠ ⊥	.010 TIR	.25 TIR
	NEXT ASSY	≡	.005 TIR	.12 TIR
	PRODUCT	◎		
	APPLICATION	○		

THIS DRAWING REMAINS THE PROPERTY OF ADAMS RITE MFG. CO. IT MUST BE KEPT CONFIDENTIAL AND EMPLOYED ONLY FOR THE PURPOSE FOR WHICH IT WAS ISSUED. UNAUTHORIZED USE, REPRODUCTION, DISCLOSURE OR RETENTION IS EXPRESSLY PROHIBITED. ALL PROPRIETARY AND MANUFACTURING RIGHTS RESERVED.

DESIGN HISTORY	DATE
P. NGUYEN	08/24/10
PROJECT ENGINEER	
M. PANOSSIAN	

	Adams Rite Manufacturing Co. 260 Santa Fe Street, Pomona, CA 91767 Phone: 909-632-2300 Fax: 909-632-2369 www.adamsrite.com	
	<b>ASSA ABLOY</b>	
<b>POWER SUPPLY / TRANSFORMER</b>		
SIZE	DWG. NO.	REV
B	<b>4605</b>	<b>B</b>
SCALE	DO NOT SCALE DRAWING	SHEET 1 OF 1
1:1		