

**Corbin
Russwin** 

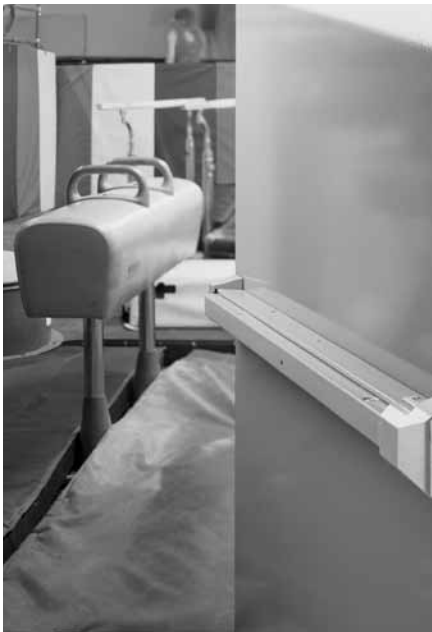
ASSA ABLOY

ED8000 Series

Pushpad Exit Devices



ASSA ABLOY, the global leader
in door opening solutions



Introduction

ED8000

Applications

Heavy-duty steel construction and Grade 1 performance, priced for outstanding value.

Meets rigorous life safety and security requirements, while offering pleasing aesthetics and trouble-free operation. Designed for high-use, high-abuse situations, ED8000 Pushpad Exit Devices can be teamed with a variety of Corbin Russwin trims to provide desired functions, styles and finishes in new construction and renovations, including these settings:

- School and University
- Health Care
- Government and Public
- Commercial and Industrial
- Office and Retail
- Transportation and Utilities
- Hotels and Conference Centers
- Religious

Advantages

- Meets ANSI Grade 1 requirements
- Easy-to-use pushpad for quick egress and ADA compliance
- Heavy-duty steel construction
- 3/4" latchbolt standard on rim device
- Low profile and projection for barrier-free code compliance
- No projecting parts to inhibit egress
- Devices accommodate various trim functions for flexibility
- Wide range of trim styles and finishes to match other Corbin Russwin products
- One-point dogging standard on panic-listed devices
- Devices available to satisfy C-UL US safety and fire requirements

Table of Contents

Introduction.....	2
Applications and Listings.....	3
Rim Exit Features.....	4
Surface Vertical Rod Exit Features	6
Rim/Vertical Rod Trims and Functions	8
Options & Accessories.....	11
Cylinders.....	12
Mullions.....	13
Electrified Options.....	14
How to Order	15
Quick Codes	16
Helpful Terms	18
How to Specify	19

Applications and Listings

ED8000

WHI Listed by Warnock Hersey International Inc., as fire exit hardware.

C-UL US Listed by Underwriters Laboratories Inc., as fire exit hardware.

Single Door	Listing	Maximum Opening	Application
Rim ED8200 ED8200B ED8200A	Panic 1-1/2 Hr. WHI 3Hr. UL	4' x * 4' x 8' 4' x 8'	Surface applied; single point latching.
Surface Vertical Rod ED8400	Panic	4' x 10'	Surface applied; two point latching.

Pair of Doors with Removable Mullion	Listing	Maximum Opening	Application
Rim x Rim ED8200 x ED8200 x 510/910 ED8200B x ED8200B x 508/908A ED8200A x ED8200A x 508/908A	Panic 1-1/2 Hr. WHI 3Hr. UL	8' x 10' 8' x 8' 8' x 8'	2 independent active doors with removable mullion.

Pair of Doors	Listing	Maximum Opening	Application
Surface Vertical Rod x Surface Vertical Rod ED8400 x ED8400 ED8400A x ED8400A	Panic 1-1/2 Hr. UL	8' x 10' 8' x 8'	2 independent doors with 2 point latching, swinging in the same direction. Overlapping astragal may not be required.
Surface Vertical Rod x Surface Vertical Rod (Double Egress) ED8400 x ED8400 ED8400A x ED8400A	Panic 3 Hr. UL	8' x 10' 8' x 8'	2 independent doors with 2 point latching, swinging in opposite directions. Overlapping astragal required for 3-hour openings.
Surface Vertical Rod x Rim ED8400 x ED8200 x S02	Panic	8' x 10'	S02 strike required on inactive door; coordinator recommended.

Note: All ED8000 Series Pushpad Exit Devices are UL305 panic listed.

*UL does not set a door height limitation on panic applications.

Rim Exit Features

ED8000

- ED8200** Panic Listed Rim Exit Device
- ED8200B** 1-1/2 Hour Fire Listed Rim Exit Device
- ED8200A** 3-Hour Fire Listed Rim Exit Device



Features

Handing

Non-handed.

Bar Length

Easily field cut to size.

Standard: 36" bar fits 31" - 36"

(787mm-914mm) door.

Optional: 30" bar fits 28" - 30"

(711mm-762mm) door; specify W030.

Optional: 42" bar fits 37" - 42"

(940mm-1067mm) door; specify W042.

Optional: 48" bar fits 43" - 48"

(1092mm-1219mm) door; specify W048.

Door Thickness

1-3/4" (44mm) standard.

Optional: 2" (51mm); specify D200.

Optional: 2-1/4" (57mm); specify D214.

Backset

2-3/4" (70mm). Device and trim cover standard ANSI A115.2 (Type 161) cylindrical lock preparation. (Backset changes when mullion is used.)

Stile

Minimum width 5" (127mm).

Projection

2-1/2" (64mm) low profile for barrier-free access.

Latchbolt

3/4" (19mm) stainless steel pullman-type with stainless steel deadlocking latch.

Materials

Heavy-duty wrought steel chassis and pushpad; aluminum front and rear bar covers; stainless steel springs; nylon bearings.

Dogging

Standard on ED8200 devices: single point 1/4 turn dogging.

Optional: less dogging; specify M51.

Dogging not available on ED8200A and ED8200B devices.

Fasteners

Standard on ED8200 devices: machine screws and wood door fasteners.

Optional on ED8200 devices: sex nuts and bolts; specify M54.

Standard on ED8200A and ED8200B devices: sex nuts and bolts.

Strike

See Options and Accessories, page 11.

Functions and Trims

Thru-bolted lever, pull and knob trims available with wide range of functions; see Trims and Functions, pages 8-10.

Cylinders

Cylinder not included unless specified. See Quick Codes, page 16.

Removable Mullion

See Mullions, page 13.

Shim Kit

Optional for mounting device over glass bead vision light; specify M58.

Applications and Listings

See page 3.

Exit Alarm

Optional on ED8200 and ED8200B devices, with and without delay feature. See Electrified Options, page 14, or Quick Codes, page 17.

Warranty

One-year limited.

Certification/Compliance

ANSI

Meets A156.3, Type 1, Grade 1.

Meets A117.1 Accessibility Code.

C-UL US

All devices listed for safety as panic hardware; devices comply with UL 305 standards for panic hardware. UL symbol on rear cover label indicates listing. Three-hour fire-rated devices listed as fire exit hardware for A label and lesser class 4' x 8' single or 8' x 8' double doors; UL symbol on rear cover label indicates listing.

Any retrofit or other field modification to a fire rated opening can potentially impact the fire rating of the opening, and Corbin Russwin, Inc. makes no representations or warranties concerning what such impact may be in any specific situation. When retrofitting any portion of an existing fire rated opening, or specifying and installing a new fire-rated opening, please consult

with a code specialist or local code official (Authority Having Jurisdiction) to ensure compliance with all applicable codes and ratings.

Warnock Hersey International Inc.

ED8200B listed as fire exit hardware for installation on up to 1-1/2 hour fire doors, up to 8' x 8'.

California State Reference Code

This product has been approved by the California State Fire Marshal (CSFM) pursuant to Section 13144.1 of the California Health and Safety Code.

NFPA

All exit devices comply with NFPA 101 Life Safety Code. All fire-rated devices comply with NFPA 80 Fire Doors and Windows.

ADA

Exit devices, lever trims and pulls comply with Americans with Disabilities Act.

Finishes

Painted finishes available on devices and some trims.

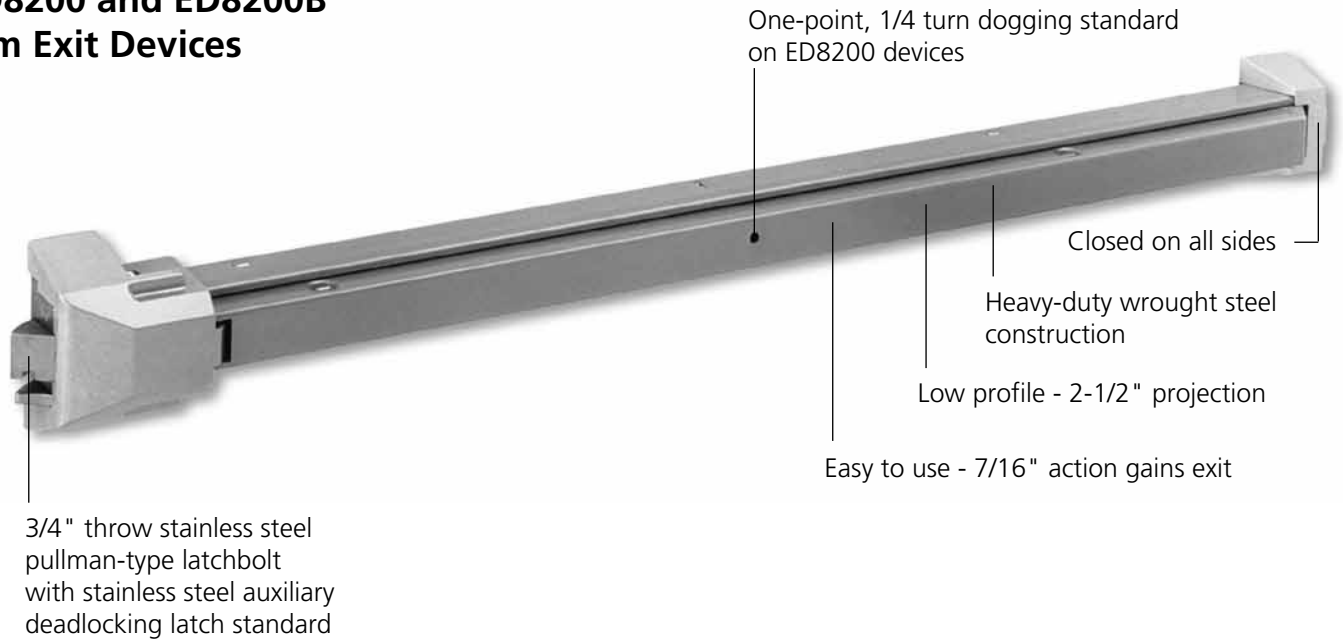
BHMA 689	Silver Aluminum Painted
BHMA 690	Dark Bronze Painted
BHMA 691	Light Bronze Painted
Plated finishes available on trims only.	
BHMA 605	Bright Brass
BHMA 606	Satin Brass
BHMA 611	Bright Bronze
BHMA 612	Satin Bronze
BHMA 613	Oxidized Bronze, oil rubbed, available lacquered
BHMA 618	Bright Nickel Plated
BHMA 619	Satin Nickel Plated
BHMA 622	Flat Black Coated
BHMA 625	Bright Chromium Plated
BHMA 626	Satin Chromium Plated
626C*	Satin Chromium Plated with MicroShield® 
BHMA 722	Black oxidized bronze, oil rubbed

*G10, A6, N6 & PR6 trims are available with MicroShield®.

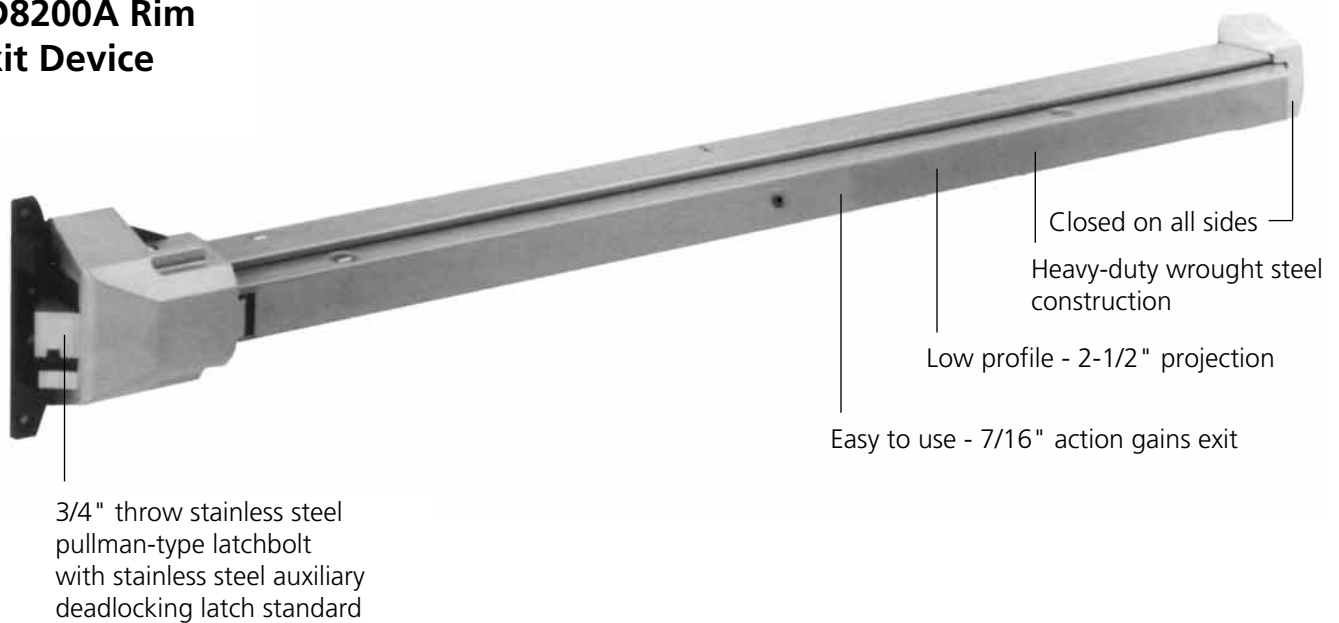
Rim Exit Features

ED8000

ED8200 and ED8200B Rim Exit Devices



ED8200A Rim Exit Device



Vertical Rod Features

ED8000

ED8400 Panic Listed Surface Vertical Rod Exit Device ED8400A 3-Hour Fire Listed Surface Vertical Rod Exit Device

Features

Handing

Handed; specify hand.

Bar Length

Easily field cut to size.

Standard: 36" bar fits 31" - 36" (787mm-914mm) door.

Optional: 30" bar fits 28" - 30" (711mm-762mm) door; specify W030.

Optional: 42" bar fits 37" - 42" (940mm-1067mm) door; specify W042.

Optional: 48" bar fits 43" - 48" (1092mm-1219mm) door; specify W048.

Door Thickness

1-3/4" (44mm) standard.

Optional: 2" (51mm); specify D200.

Optional: 2-1/4" (57mm); specify D214.

Backset

2-3/4" (70mm). Device and trim cover standard ANSI A115.2 (Type 161) cylindrical lock preparation.

Stile

Minimum width 5" (127mm).

Door Height

All top rods easily field cut to size.

Standard on ED8400 devices: top rod for 7'6" door.

Optional on ED8400 devices: top rod for doors up to 10'; specify H1000.

Standard on ED8400A devices: top rod for 8' door.

Projection

2-1/2" (64mm) low profile for barrier-free access.

Latchbolts

ED8400 devices:

Top: 1/2" interlocking drop latch.

Bottom: 5/8" pivoted.

ED8400A devices:

Top: 3/4" (19mm) steel pullman type with steel deadlocking latch. Bottom: 3/4" (19mm) deadbolt.

Vertical Rods

Inverted U-shaped rectangular.

Materials

Heavy-duty wrought steel chassis and pushpad; steel vertical rods; aluminum bar and latch covers; stainless steel springs; nylon bearings.

Dogging

Standard on ED8400 devices: single point 1/4 turn dogging.

Optional: less dogging; specify M51.

Dogging not available on ED8400A devices.

Fasteners

Standard on ED8400 devices: machine screws and wood door fasteners.

Optional on ED8400 devices: sex nuts and bolts; specify M54.

Standard on ED8400A devices: sex nuts and bolts.

Strike

See Options and Accessories, page 11.

Functions and Trims

Thru-bolted lever, pull and knob trims available with wide range of functions; see Trims and Functions, pages 8-10.

Cylinders

Cylinder not included unless specified. See Quick Codes, page 16.

Applications and Listings

See page 3.

Shim Kit

Optional for mounting device over glass bead vision light; specify M58.

Warranty

One-year limited.

Certification/Compliance

ANSI

Meets A156.3, Type 2, Grade 1.

C-UL US

All devices listed for safety as panic hardware; devices comply with UL 305 standards for panic hardware. UL symbol on rear cover label indicates listing. Three-hour fire-rated devices listed as fire exit hardware for A label and lesser class 8' x 8' double doors; UL symbol on rear cover label indicates listing.

Any retrofit or other field modification to a fire rated opening can potentially impact the fire rating of the opening, and Corbin Russwin, Inc. makes no representations or warranties concerning what such impact may be in any specific situation. When retrofitting any portion of an existing fire

rated opening, or specifying and installing a new fire-rated opening, please consult with a code specialist or local code official (Authority Having Jurisdiction) to ensure compliance with all applicable codes and ratings.

California State Reference Code

This product has been approved by the California State Fire Marshal (CSFM) pursuant to Section 13144.1 of the California Health and Safety Code.

NFPA

All exit devices comply with NFPA 101 Life Safety Code. All fire-rated devices comply with NFPA 80 Fire Doors and Windows.

ADA

Lever trims and pulls comply with Americans with Disabilities Act.

Finishes

Painted finishes available on devices and some trims.

BHMA 689	Silver Aluminum Painted
BHMA 690	Dark Bronze Painted
BHMA 691	Light Bronze Painted

Plated finishes available on trims only.

BHMA 605	Bright Brass
BHMA 606	Satin Brass
BHMA 611	Bright Bronze
BHMA 612	Satin Bronze

BHMA 613	Oxidized Bronze, oil rubbed, available lacquered
----------	--


BHMA 618	Bright Nickel Plated
----------	----------------------

BHMA 619	Satin Nickel Plated
----------	---------------------

BHMA 622	Flat Black Coated
----------	-------------------

BHMA 625	Bright Chromium Plated
----------	------------------------

BHMA 626	Satin Chromium Plated
----------	-----------------------

626C*	Satin Chromium Plated with MicroShield® 
-------	---

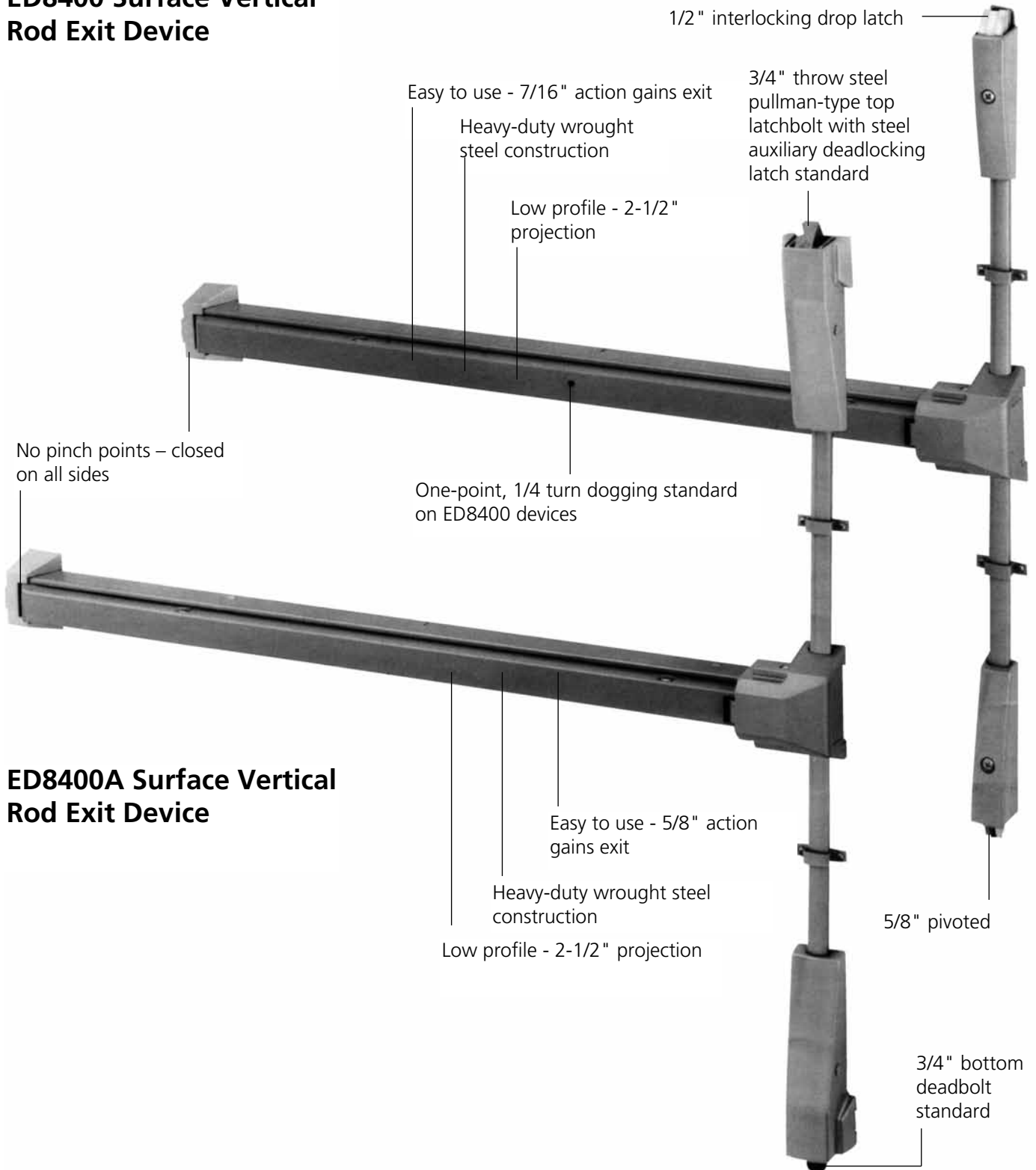
BHMA 722	Black oxidized bronze, oil rubbed
----------	-----------------------------------

*G10, A6, N6 & PR6 trims are available with MicroShield®.

Vertical Rod Features

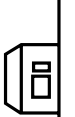
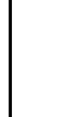
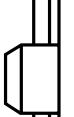
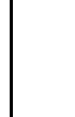

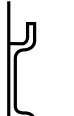

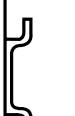

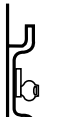

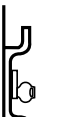
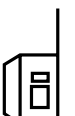
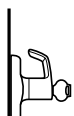




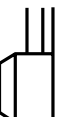

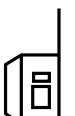
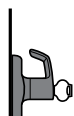
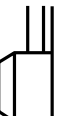

ED8000

ED8400 Surface Vertical Rod Exit Device



Functions


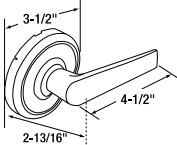

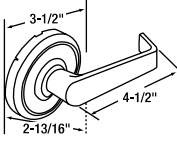

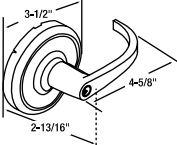

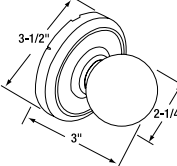

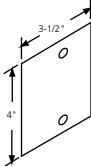
ED8000

Rim ED8200 ED8200B ED8200A		Surface Vertical Rod ED8400 ED8400A		Type	ANSI No.	Function Descriptions
Inside	Outside	Inside	Outside			
				Exit Only	F01	<ul style="list-style-type: none"> Exit only; no trim.
				Dummy	F02	<ul style="list-style-type: none"> Entrance by trim when actuating bar is locked down.
				Nightlatch	F03	<ul style="list-style-type: none"> Entrance by trim when latch bolt is retracted by key. Key removable only when locked.
				Classroom	F08	<ul style="list-style-type: none"> Entrance by knob or lever. Key locks or unlocks knob or lever.
				Passage	—	<ul style="list-style-type: none"> Latch bolt retracted by knob or lever.
				Storeroom (Lever Active)	F09	<ul style="list-style-type: none"> Entrance by knob or lever only when released by key. Key removable only when locked.



Indicates rigid grip when locked.

Note: Trims shown are for function representation only. See pages 9 and 10 for available trims.


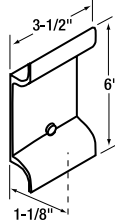

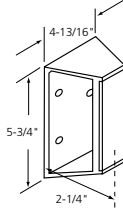


Trim Design		Trim/Function					
		Passage	Dummy ANSI No. F02	Classroom ANSI No. F08	Nightlatch ANSI No. F03	Storeroom ANSI No. F09	
	<p>Armstrong A6 Lever: Die cast zinc Rose: Wrought brass or bronze Cylinder: Key-in-lever <i>Available in plated finishes only.</i></p>		A610	A650	A655	A657 ²	A659
	<p>Newport N6 Lever: Die cast zinc Rose: Wrought brass or bronze Cylinder: Key-in-lever <i>Available in plated finishes only.</i></p>		N610	N650	N655	N657 ²	N659
	<p>Princeton PR6 Lever: Die cast zinc Rose: Wrought brass or bronze Cylinder: Key-in-lever <i>Available in plated finishes only.</i></p>		PR610	PR650	PR655	PR657 ²	PR659
	<p>Global G10 Knob: Wrought Rose: Wrought brass or bronze Cylinder: Key-in-knob <i>Available in plated finishes only.</i></p>		G1010	G1050	G1055	G1057 ²	G1059
	<p>Flat Plate F1 Plate: Steel Cylinder: Rim <i>Available in plated and painted finishes.</i></p>		N/A	F150 ¹	N/A	F157 ²	N/A

Notes:


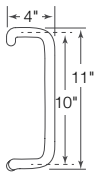



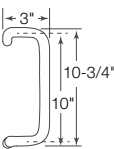
1. Blank plate with no ANSI function.
2. Not recommended for use with ED8400 or ED8400A Surface Vertical Rod devices.

Functions

ED8000

Trim Design	Trim/Function			
	Passage	Dummy ANSI No. F02	Classroom ANSI No. F08	Nightlatch ANSI No. F03
 <p>Wing Pull P8 Pull: Extruded Cylinder: Rim Available in painted finishes only.</p> 	N/A	P850	N/A	P857 ²
 <p>Offset Pull P2 Pull: Extruded Cylinder: Rim Available in plated finishes only.</p> 	N/A	P250	N/A	P257 ²
 <p>Key Only KO Cylinder: Rim Note: Available with cylinder option only. Ex: K057 x 6P</p> 	N/A	N/A	N/A	K057 ²

2. Not recommended for use with ED8400 or ED8400A Surface Vertical Rod devices.

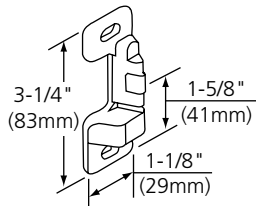
Offset Pull Trim: P12, P13, P14*				
 <p>Offset Pull P12 Clearance: 2-1/2 "</p> 	Specify Part Number, 716F50M x Finish ¹			
 <p>Offset Pull P13 Clearance: 2-1/2 "</p> 	Specify Part Number, 716F51M x Finish ¹			
 <p>Offset Pull P14 Clearance: 2-1/2 "</p> 	Specify Part Number, 716F52M x Finish ¹			

1. Available in 605, 606, 612, 613, 626, 629 and 630 finishes.
*Available on 1-3/4" thick doors only.

Options and Accessories

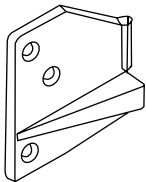
ED8000

Rim Strikes (Screws Included)



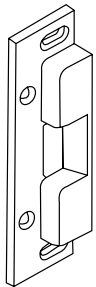
Rim Strike

Standard on ED8200 and ED8200B devices. To order separately, specify 386F45.



Rim x Vertical Rod Strike

Required for ED8200 devices when used on pair of doors with ED8400 device. To order with exit device, specify S02. To order separately, specify 468F30 x finish.



3-Hour Fire-Rated Rim Strike

Standard on ED8200A devices. To order separately, specify 518F06.

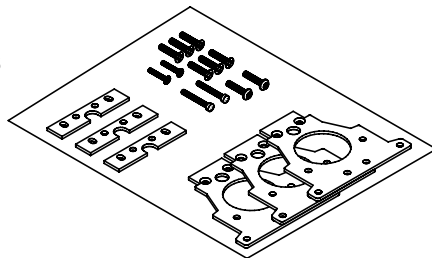


Rim Strike Shim

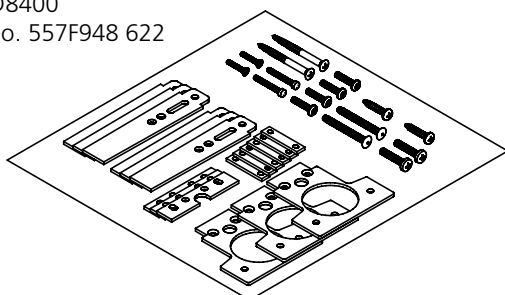
For doors with 1/2" stop, specify M59. To order separately, specify 391F575

Shim Kits

For ED8200 & ED8200B
Part No. 557F928 622



For ED8400
Part No. 557F948 622



Vertical Rod Strikes (Screws Included)



Top Strike

Standard on ED8400 devices. To order separately, specify 446F21.



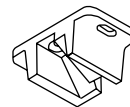
Surface Projecting Bottom Strike

Standard on ED8400 devices. To order separately, specify 446F22.



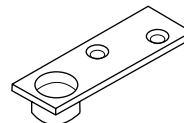
Flush Bottom Strike

Optional for ED8400 devices only. To order with exit device, specify S03. To order separately, specify 463F92.



Fire-Rated Top Strike

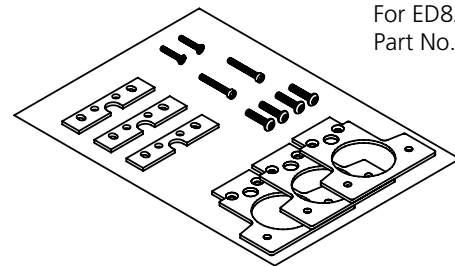
Standard on ED8400A devices. To order separately, specify 526F52.



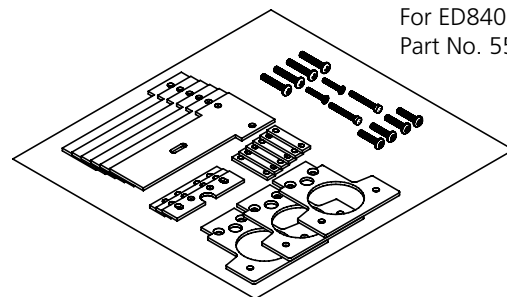
Fire-Rated Bottom Strike

Standard on ED8400A devices. To order separately, specify 526F53.

For ED8200A
Part No. 557F938 622



For ED8400A
Part No. 557F958 622

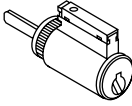
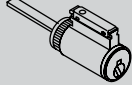
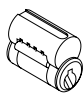
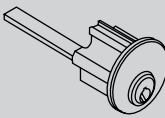
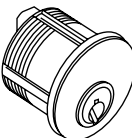


Cylinders

ED8000

Cylinders

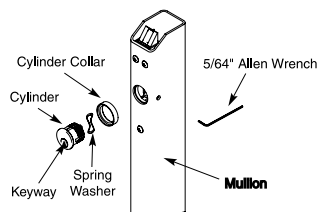
L4 keyway standard. To order with Exit Device, see Quick Codes, page 16. To order separately, specify Part No. x keyway x Finish (e.g., 2000-033-7 x L4 x 626).

	Cylinder Type	Part No.	Description
Key-in-Lever for A6, N6 and PR6 trim		2000-033	6-pin
		2000-033-7	7-pin
		2010-033	6-pin, Security
		2020-033	7-pin, Pyramid High Security
		2027-033	7-pin, Pyramid Security
Key-in-Knob for G10 trim		2000-033H	6-pin, horizontal tailpiece
		2010-033H	6-pin, Security, horizontal tailpiece
		2020-033H	Pyramid High Security, horizontal tailpiece
		2027-033H	Pyramid Security, horizontal tailpiece
Interchangeable Core Optional for A6, N6, PR6 trim		8000	6-pin
		8000-7	7-pin
		8010	6-pin, Security
		8020	7-pin, Pyramid High Security
		8027	7-pin, Pyramid Security
Rim for all other trim		3000-200	6-pin
		3000-138	6-pin, horizontal tailpiece for exit alarm supplied when M61 or M62 is ordered
		3000-200-7	7-pin, horizontal tailpiece
		3010-200	6-pin, horizontal tailpiece, Security
		3012-178	6-pin, blockout function, Security
		3080-178	6-pin, interchangeable core (IC)
		3070-178	6-pin, IC less core
		3070-178-7	7-pin, IC less core
		3080-178-7	7-pin, IC
		3090-178	6-pin, Security IC
		3020-200	Pyramid High Security
		3027-200	Pyramid Security
		3027-138	Pyramid Security for M61, M62
		3030-178	7-pin Pyramid, IC High Security
		3037-178	Pyramid Security IC
		3037-114	Pyramid Security IC for M61, M62
		3080-114	6-pin, IC for exit alarm supplied when M61 or M62 is ordered
		3070-114	6-pin, IC less core for M61 or M62
		3080-114-7	7-pin, IC for M61 or M62
		3070-114-7	7-pin, IC less core for M61 or M62
3020-138	7-pin Pyramid High Security, horizontal tailpiece for exit alarm supplied when M61 or M62 is ordered		
3030-114	7-pin Pyramid High Security, IC for exit alarm supplied when M61 or M62 is ordered		
3040-178	6-pin, SFIC with Less Core		
3040-178-7	7-pin, SFIC with Less Core		
900 Series Key Removable Mullion Mortise Cylinders		1000-118-A62	6-Pin
		1000-114-A62-7	7-Pin
		1080-114-A62	6-Pin, IC
		1080-112-A62-7	7-Pin, IC
		1020-114-A62	7-pin, Pyramid High Security
		1027-114-A62	7-pin, Pyramid Security
		1030-114-A62	7-pin, Pyramid High Security IC
		1037-114-A62	7-pin, Pyramid Security IC
		1010-118-A62	Security
		1090-114-A62	Security IC
		1070-114-A62	6-pin, IC, less core
		1070-112-A62-7	7-pin, IC, less core

900 Series Key Removable Mullion Cylinder Collar Packet

Mullion Series	Cylinder Length and Type			
	1-1/8"	1-1/4"	1-1/4" IC	1-1/2" IC
907BKM 908BKM 910KM	610F01*	447F43*		609F37*

Note: Cylinder collar packets contain a collar and spring washer.
*Specify finish when ordering packets.



Compatibility with Competitive Cylinders (N6 and PR6 trims only)

Competitive Cylinder	Complete Trim	Tailpiece for Optional Cylinders
Schlage® conventional 21-002, 23-001 or 23-013	Specify M06	682F39-8 Tailpiece
Schlage Primus 20-548, 20-550, 20-748 or 20-750	Specify M06	682F39-8 Tailpiece
Best® style core, 6 or 7-pin	Specify M08	682F958 Tailpiece
Sargent® 13-3266	Specify M09	682F96-9 Tailpiece kit and Special Lever
Schlage IC Core	Specify M69	697F94-2 Tailpiece
IC 6-Pin	Specify C6	682F918 Tailpiece kit
IC 7-Pin	Specify C7	682F918 Tailpiece kit

For Assa and Medeco retrofit cylinders, consult those manufacturers' catalogs.

500 Series and 900 Series Removable Mullions

The 500 series and 900 series mullions are used to install two ED7200 Rim Exit Devices in a double door opening. They may be quickly and easily removed, then reinstalled, when a full double door opening is temporarily required. The 500 series and 900 series mullions meet ANSI A156.3, Type 22.

Materials and Finish

Steel mullion with malleable iron top and bottom plates; furnished with zinc plated fasteners for metal frames and concrete floors. May be cut, drilled and tapped in the field for Rim Exit Devices. The 500 series mullions are primed for painting, BHMA 600, grey and the 900 series mullions are primed for painting, BHMA 600, red.

500 Series Mullions - How to Order Removable Mullions

UL Fire Rating ¹	Mullion Opening Height ²	Catalog Number
3-Hour	Up to 7'2"	507
Panic Only	Up to 8'0"	508
Panic Only	Up to 10'0"	510

Notes:

1. UL label on mullion indicates listing.
2. May be field cut for doors.

900 Series Mullions - How to Order Removable Mullions

UL Fire Rating ¹	Mullion Opening Height ²	Catalog Number
Panic Only	Up to 7'0"	907
Panic Only	Up to 8'0"	908
Panic Only	Up to 10'0"	910
3-Hour	Up to 7'0"	907A
3-Hour	Up to 8'0"	908A

Key Removable Mullions

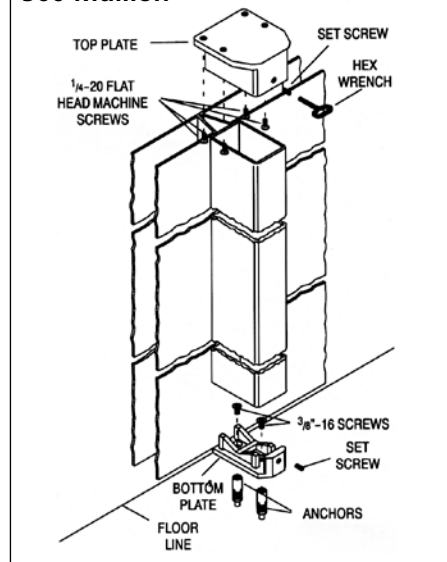
UL Fire Rating ¹	Mullion Opening Height ²	Catalog Number
1-1/2 Hour	Up to 7'0"	907BKM ³
1-1/2 Hour	Up to 8'0"	908BKM ³
Panic Only	Up to 10'0"	910KM ³

Notes:

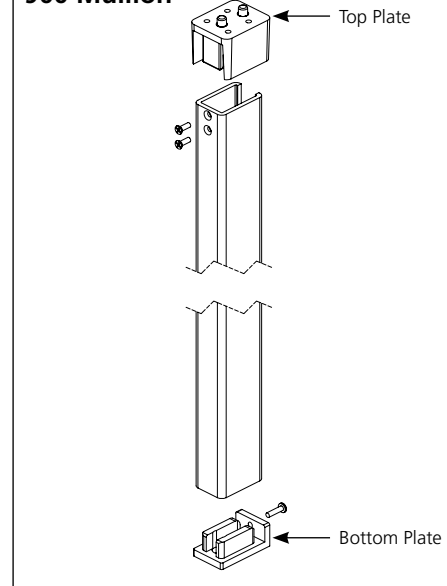
1. UL label on mullion indicates listing.
2. May be field cut for doors.
3. Cylinder and collars not included, specify separately. See Cylinders on page 12.

ASSA ABLOY, the global leader in door opening solutions
45075-10/14

500 Mullion



900 Mullion



Electrified Options

ED8000

Exit Alarm

Optional on ED8200 and ED8200B devices; emits audible alarm, signaling emergency or unauthorized use of door. To order, specify option M61.

Exit Alarm With 20-Second Delay

Optional on ED8200 and ED8200B devices; permits controlled authorized entrance or egress. For authorized exit, turn inside key to OFF, then back to ON. This allows 20-second interval to exit without sounding alarm. To enter, use key outside. Alarm will not sound if door is closed within 20 seconds. To order, specify option M62.



Features

Solid state circuitry with adjustable sensitivity.

Volume

85db at 10 feet.

Light Emitting Diode (LED)

Indicates power on, alarm on, delay feature on.

No wiring required

Recommended power source: one 9-volt alkaline battery (not included). One additional battery may be used for extended alarm.

Tamper resistant design

Will not obstruct emergency exit; provides easy access for battery changes.

Size

3-7/8" (98mm) x 9-3/4" (248mm) x 2-5/8" (67mm). 1-3/4" (44mm), 2" (51mm) and 2-1/4" (57mm) door thickness; 2-3/4" (70mm) backset.

Door Size

Standard 36" (914mm) exit device fits 31" (787mm) - 36" (914mm) doors.
Optional: 30" (762mm) fits 28" (711mm) - 30" (762mm) doors; 42" (1067mm) fits 37" (940mm) - 42" (1067mm) doors; 48" (1219mm) fits 43" (1092mm) - 48" (1219mm) doors.

Non-handed

Warning decal

EMERGENCY EXIT ONLY- ALARM WILL SOUND. Applied in field; will not affect handing.

Inside cylinder

Rim. For keying options see page 16. To order cylinder separately, see page 12.

Keying

When alarm is ordered with exit device and outside trim, inside and outside cylinders will be keyed alike.

Trim

Available with all trims for ED8200 and ED8200B devices; see pages 9 and 10.

Retrofitting

To add standard alarm to existing device, order ED82AK x Finish. To add alarm with time delay to existing device, order ED82AK x M62 x Finish. To order time delay switch separately, specify 490F71 for all bar lengths.

Ordering Examples

Rim Exit Device

Quantity	Exit Device	Finish
20	ED8200	689

Removable Mullion

Quantity	Mullion
6	508

Where to find ordering information and Quick Codes

Functions and Trims	Pages 8-10
Rim and Vertical Rod	Pages 8-10
Removable Mullion	Pages 13
Finish	Page 16
Handing	Page 16
Door Thickness	Page 16
Strike	Page 17
Door Width	Page 16
Door Height	Page 16
Miscellaneous Options	Page 17
Cylinders and Keying	Page 16

Rim Exit Device with Trim

Quantity	Exit Device	Trim/Function	Finish		Hand	Door Thickness	Door Width	Misc. Options
			Trim	Device				
65	ED8200A	A610	613	690	LHR	D200	W048	M58

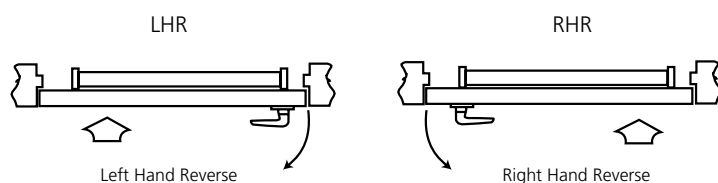
Vertical Rod Exit Device with Trim

Quantity	Exit Device	Trim/Function	Finish		Hand	Door Thickness	Optional Strike	Door Width	Door Height	Misc. Options
			Trim	Device						
28	ED8400	N655	626	689	RHR	D214	S03	W048	H1000	M54

Contract/Detailed Order - Rim Exit Device with Trim

Quantity	Keyset	Exit Device	Trim/Function	Finish		Hand	Door Thickness	Door Width	Misc. Options	Optional Cylinder	Keying
				Trim	Device						
32	AA1	ED8200	P857	626	689	LHR	D200	W048	M54	C6	VKC3

Handing



Note: Arrow (↔) indicates secure side of door.

Quick Codes

ED8000

Cylinders and Keying

Description	Specify
Conventional 6-pin	6P
Conventional 7-pin	7P
IC 6-pin ³	C6
IC 7-pin ³	C7
Pyramid High Security fixed core	PHS
Pyramid Security fixed core	PS
Pyramid High Security IC ³	PCHS
Pyramid Security IC ³	PCS
Security	HS
Security IC ³	CHS
IC 6-pin less core ³	CL6
IC 7-pin less core ³	CL7
Pyramid IC with temporary construction core ³	CTP
Pyramid IC with temporary disposable core ³	CTPD
Pyramid IC less core ³	CLP
IC 6-pin with temporary construction core (Red) ³	CT6R
IC 6-pin with temporary construction core (Blue) ³	CT6B
IC 6-pin with temporary construction core (Green) ³	CT6G
IC 6-pin with temporary construction core ³	CT6
IC 6-Pin with temporary disposable core ³	CT6D
SFIC 6-pin with Less Core ³ (Rim Cylinder Only)	CLS6
SFIC 6-pin with SFIC disposable temporary core ³ (Rim Cylinder Only)	CT6SD
IC 7-pin with temporary construction core (Red) ³	CT7R
IC 7-pin with temporary construction core (Blue) ³	CT7B
IC 7-pin with temporary construction core (Green) ³	CT7G
IC 7-pin with temporary construction core ³	CT7
IC 7-Pin with temporary disposable core ³	CT7D
SFIC 7-pin with Less Core ³ (Rim Cylinder Only)	CLS7
SFIC 7-pin with SFIC disposable temporary core ³ (Rim Cylinder Only)	CT7SD
Blockout function	BO
0-Bitted with 2 blank keys	(standard)
Keyed random	KR
Master Keyed (all cylinders except (8000, 8020, 8027 IC core)	specify keyset
Master Keyed Pyramid	specify keyset
Master Keyed Security (including IC cylinder and core)	specify keyset
Master Keyed 8000, 8020, 8027 IC core	specify keyset
Master Keyed to customer bittings or sample key	specify keyset
Construction master keyed ¹	CMK
Visual key control (VKC)	
- No Stamping	VKC0
- Keys only	VKC1
- Cylinders and Keys ²	VKC2
- Cylinders only ²	VKC3
Concealed key control (CKC)	
- CKC cylinders with VKC keys	CKC2
- CKC cylinders only ²	CKC3

Notes:

1. CMK construction master keying is not available in Pyramid or Security Series.
2. VKC2, VKC3, CKC3 are not available in Pyramid or Security series.
3. Not available for G10 trim.

Door Width

Door	Specify
30" (762mm)	W030
36" (914mm)	(standard)
42" (1067mm)	W042
48" (1219mm)	W048

Door Height

Door	Specify
7'6" (2.29m) (ED8400 devices)	(standard)
8'0" (2.44m) (ED8400A devices)	(standard)
10'0" (3.05m) (ED8400 devices only)	H1000

Handing

Hand	Specify
Right Hand Reverse	RHR
Left Hand Reverse	LHR

Finishes

Description	Specify
US3 Bright Brass	605
US4 Satin Brass	606
US9 Bright Bronze	611
US10 Satin Bronze	612
US10B Dark Oxidized Satin Bronze, oil rubbed	613
US14 Bright Nickel Plated	618
US15 Satin Nickel Plated	619
US19 Flat Black Coated	622
US26 Bright Chromium Plated	625
US26D Satin Chromium Plated	626
Satin Chromium Plated with MicroShield®*	626C
Silver Aluminum Painted	689
Dark Bronze Painted	690
Light Bronze Painted	691
Black oxidized bronze, oil rubbed	722

*G10, A6, N6 & PR6 trims are available with MicroShield®.

Door Thickness

Door	Specify
1-3/8" (35mm)*	D138
1-3/4" (44mm)	(standard)
2" (51mm)	D200
2-1/4" (57mm)	D214

*G10, A6, N6, PR6 series trims only.

Miscellaneous Options

Description	Specify
Less cylinder, with tailpiece for Schlage® cylinder	M06
Lever to accept Best® type core (N6 and PR6 trims only)	M08
Lever to accept Sargent® cylinder (N6 and PR6 trims only)	M09
Lever to accept <i>Schlage</i> IC core	M69
Knurling outside only (trim side)	M21
Abrasive coat outside and inside (trim and device)	M23
Abrasive coat inside only (device side)	M24
Abrasive coat outside only (trim side)	M25
Less dogging	M51
Sex nuts and bolts (SNBs) ¹	M54
Mullion stabilizer kit	M57
Shim kit (for vision light)	M58
Shim for 2-3/4" (70mm) backset on doors with 1/2" (13mm) stop (rim devices only)	M59
Exit alarm (rim devices only)	M61
Exit alarm with delay (rim devices only)	M62

1. Not available with D138 option.

Strike

Description	Specify
Rim	
Rim x vertical rod	S02
Vertical Rod	
Flush bottom (ED8400 devices only)	S03

Helpful Terms

ED8000

Abrasive Coat

Hard granular material applied to provide a non-slip tactile surface for the visually impaired.

Active Door

In a pair of doors, the door that is operable from the trim side.

Astragal

A vertical member applied to one or both sides of a pair of doors at the meeting edges. The astragal closes the gap between the two doors.

Coordinator

A device used on a pair of doors to ensure that the inactive door closes before the active door.

Deadlocking Latch

A supplemental latch that automatically deadlocks the latchbolt when pressure is applied to it.

Dogging

A mechanism that allows the latchbolt to remain retracted, permitting the door to operate as if it were a push-pull; it cannot be used on fire-rated exit devices.

Double Egress

A pair of doors of the same hand that swing in opposite directions, commonly found in corridors.

Dummy Trim

Trim only. Usually used on the inactive door of a pair of doors for design balance.

Exit Device (Panic Hardware)

A door locking device with a pushpad or crossbar which, when pressed, allows instant exit (egress).

Fire Exit Hardware

An exit device listed by an independent testing laboratory as meeting panic, fire and hose stream test standards; used on fire-rated openings.

Hand

The direction a door swings.

Inactive Door

In a pair of doors, the door that is inoperable from the trim side.

Latchbolt

A lock component that has a beveled end and projects into a strike, holding the door in a closed position.

Mullion

A fixed or removable vertical member that divides a door opening and provides a latch surface for a pair of rim exit devices.

Narrow Stile Door

Usually a door having a stile less than 2-3/4" (70mm) wide, commonly seen on aluminum or glass front applications.

Shim Kit

Pieces of metal that permit mounting of an exit device on a door that has a surface projecting vision light (glass bead) moulding.

Split Astragal

An astragal that is split through the middle on a pair of doors, allowing both doors to operate independently.

Threshold

A strip fastened to the floor beneath a door. It serves as a stop, prevents heat loss, and provides a strike location for latching the bottom rod of a vertical rod exit device.

Trim

A knob, lever, pull, or thumbpiece used on the outside of an exit device door to control access to an area.

Universal Exit Device

An exit device that may be used on doors of either hand without any modifications.

Keying and Cylinder Terms

Blockout Cylinder

A cylinder which allows all keys to be temporarily blocked from operating. It is set by a blockout key.

Concealed Key Control (CKC)

The marking of standard key symbols on a cylinder in a location which is not visible once the cylinder installed.

Suggested Specification

All exit devices shall be ED8000 Series Pushpad Exit Devices as manufactured by Corbin Russwin Architectural Hardware.

The maximum exit device projection shall be 2-1/2" (64mm). The exit device bar shall be constructed of heavy wrought steel. The pushpad shall be constructed of wrought steel; scalped pushpads or pushpads with plastic or Lexan coatings shall not be acceptable. The pushpad shall cover the entire length of the devices. Pushpads which cover less than the entire length of the device shall not be acceptable. Nylon bearings and stainless steel springs shall be used for long life and durability; only torsion springs are acceptable. All device covers shall be of aluminum; plastic or metal stamping shall not be acceptable. Mounting screws shall be concealed to deter tampering. All ferrous parts shall be zinc coated to prevent rusting.

Single point, one quarter turn hex key dogging shall be standard on non-fire-rated devices.

All devices shall be listed by Underwriters Laboratories for safety as panic hardware. Fire rated devices shall be UL/C-UL listed for A label and lesser class doors, 4' x 8' single and 8' x 8' pair. The model number shall be located on the end cap; devices having the model number located other than on the end cap shall not be acceptable.

On trims with cylinders, the locking and unlocking of the trim shall be housed in the trim and not in the active head of the device. Trim shall be throughbolted and fasteners shall be concealed.

All trims shall be furnished in architectural finishes and shall match the trims and finishes on corresponding locksets.

Certification:
ANSI A156.3, Grade 1

All devices, trims and cylinders shall be from one manufacturer.

All devices and trims shall carry a one-year limited warranty.



ASSA ABLOY

In U.S.

Corbin Russwin
Architectural Hardware
225 Episcopal Road
Berlin, CT 06037
Phone: 800-543-3658
Fax: 800-447-6714
www.corbinrusswin.com

In Canada

ASSA ABLOY Door
Security Solutions Canada
160 Four Valley Drive
Vaughan, Ontario
Canada L4K 4T9
Phone: 800-461-3007
Fax: 1-905-738-2478
www.assaabloy.ca

For more information regarding Corbin Russwin Locksets, Exit Devices, Door Controls and Key Systems, contact your authorized Corbin Russwin Distributor or Sales Representative.



MicroShield®

As part of their promise to provide innovative solutions to their customers, certain ASSA ABLOY Group brands offer the MicroShield® technology, a silver-based antimicrobial coating designed to inhibit the growth of bacteria. MicroShield® is a registered trademark of Yale Security Inc., an ASSA ABLOY Group company.

Corbin Russwin and Design® is a registered trademark of Corbin Russwin Inc., an ASSA ABLOY Group company. These materials are protected under US copyright laws. All contents current at time of publication. Corbin Russwin, Inc., an ASSA ABLOY Group company reserves the right to change availability of any item in this catalog, its design, construction, and/or its materials. Other products brand names may be trademarks or registered trademarks of their respective owners and are mentioned for reference purposes only. Copyright© 2002, 2014 Corbin Russwin Inc., an ASSA ABLOY Group company. All rights reserved. Reproduction in whole or in part without the express written permission of Corbin Russwin, Inc. is prohibited.

ASSA ABLOY is the global leader in door opening solutions, dedicated to satisfying end-user needs for security, safety and convenience.